

# **-4 SERIES**

**MODELS: 503-4. 504-4. 505-4. 512-4. 514-4.  
515-4. 516-4.**

---



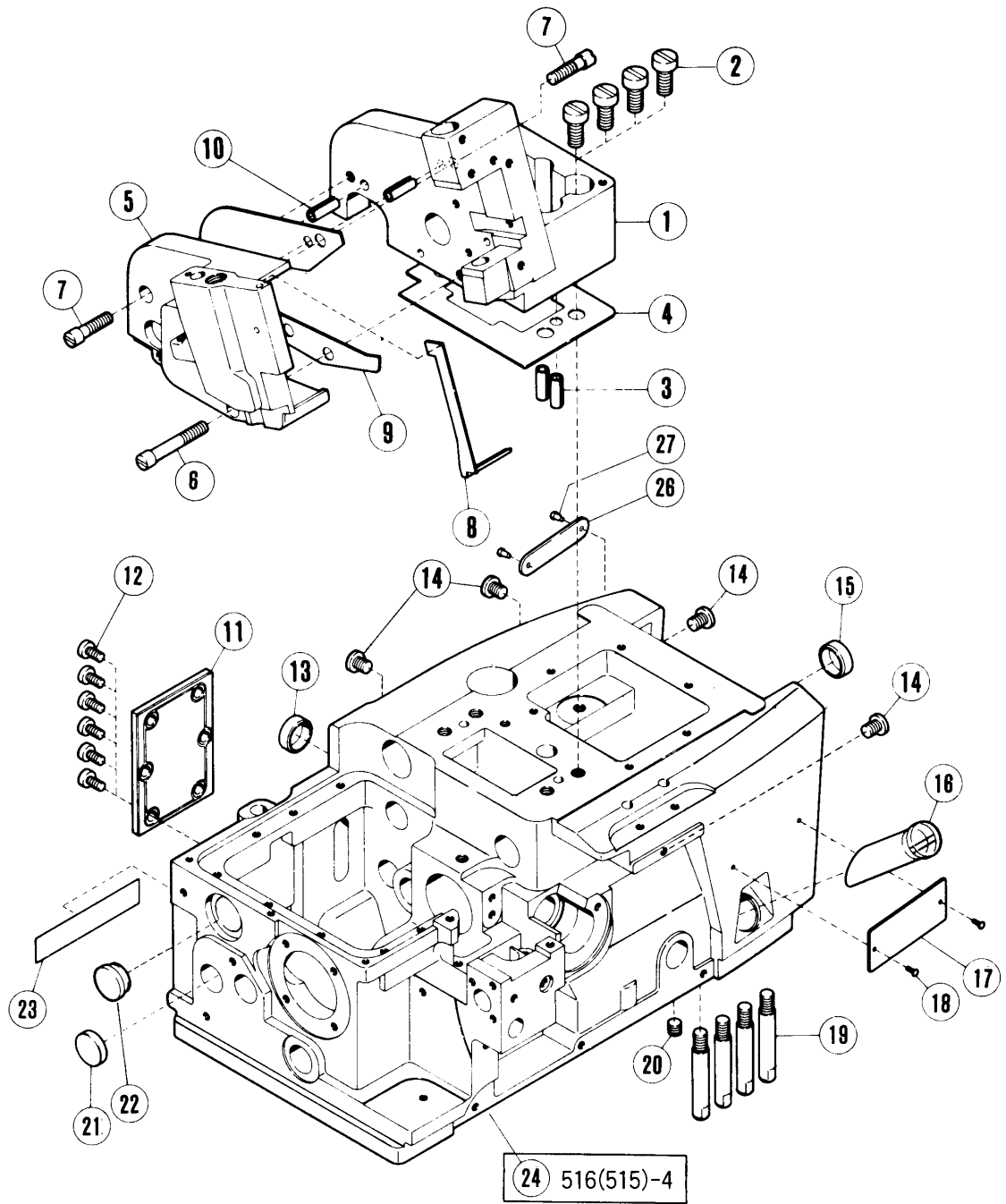
# INTRODUCTION

- This parts catalog covers the -4 series machine manufactured November, 1990.
- On pages 2~73, each mechanism is arranged on facing pages, the first page containing the illustrations and the second page containing the data of the individual parts.  
The number given to each illustration is the REF. NO. on the parts list.
- Gauge parts construction charts/gauge parts lists.  
Gauge parts are used in some machine types and sewing gauges only. Pages 74~123 contain the gauge parts construction charts in order to know the illustrations and the combinations of the parts, and pages 124~132 contain the gauge parts lists to obtain the data at a glance.
- A part number index is attached to the back of this catalog for convenience.
- When placing orders for parts from this catalog, use ONLY THE PART NUMBER.
- This parts catalog is applicable to your machine and is subject to change without notification.

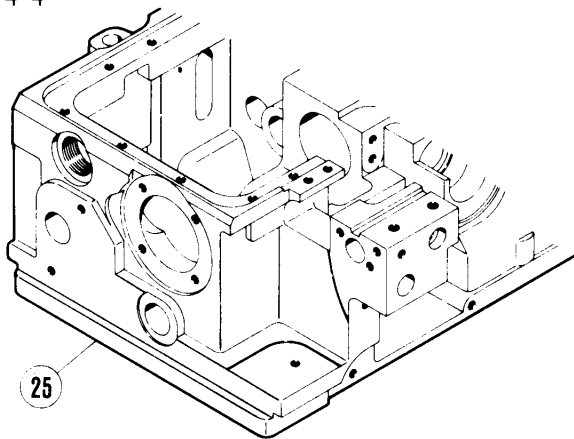
## TABLE OF CONTENTS

Page

|   |         |
|---|---------|
| Machine bed frame                         | 2-3     |
| Cover(1)~(3)                              | 4-9     |
| Crankshaft drive mechanism(1)~(3)         | 10-15   |
| Needle drive mechanism(1)~(3)             | 16-21   |
| Upper looper drive mechanism(1),(2)       | 22-25   |
| Lower looper drive mechanism              | 26-27   |
| Chainstitch looper drive mechanism(1),(2) | 28-31   |
| Feed mechanism(1)~(3)                     | 32-37   |
| Knife drive mechanism                     | 38-39   |
| Presser foot mechanism(1)~(3)             | 40-45   |
| Lubrication mechanism                     | 46-47   |
| H.R. device                               | 48-49   |
| Attachment for piping(1)~(3)              | 50-55   |
| Attachment for tape                       | 56-57   |
| Attachment for shirring                   | 58-59   |
| Attachment                                | 60-61   |
| Attachment for shirring (option)          | 62-63   |
| Attachment (option)                       | 64-65   |
| Parts for semi-submerged installation     | 66-67   |
| Thread stand                              | 68-69   |
| Accessories                               | 70-71   |
| Piping foot/Others                        | 72-73   |
| Gauge parts construction charts           | 74-123  |
| Gauge parts lists                         | 124-132 |
| Needle size and upper looper (Spreader)   | 133     |
| List of main feed dog complete            | 133     |
| Part number index                         | 134-138 |

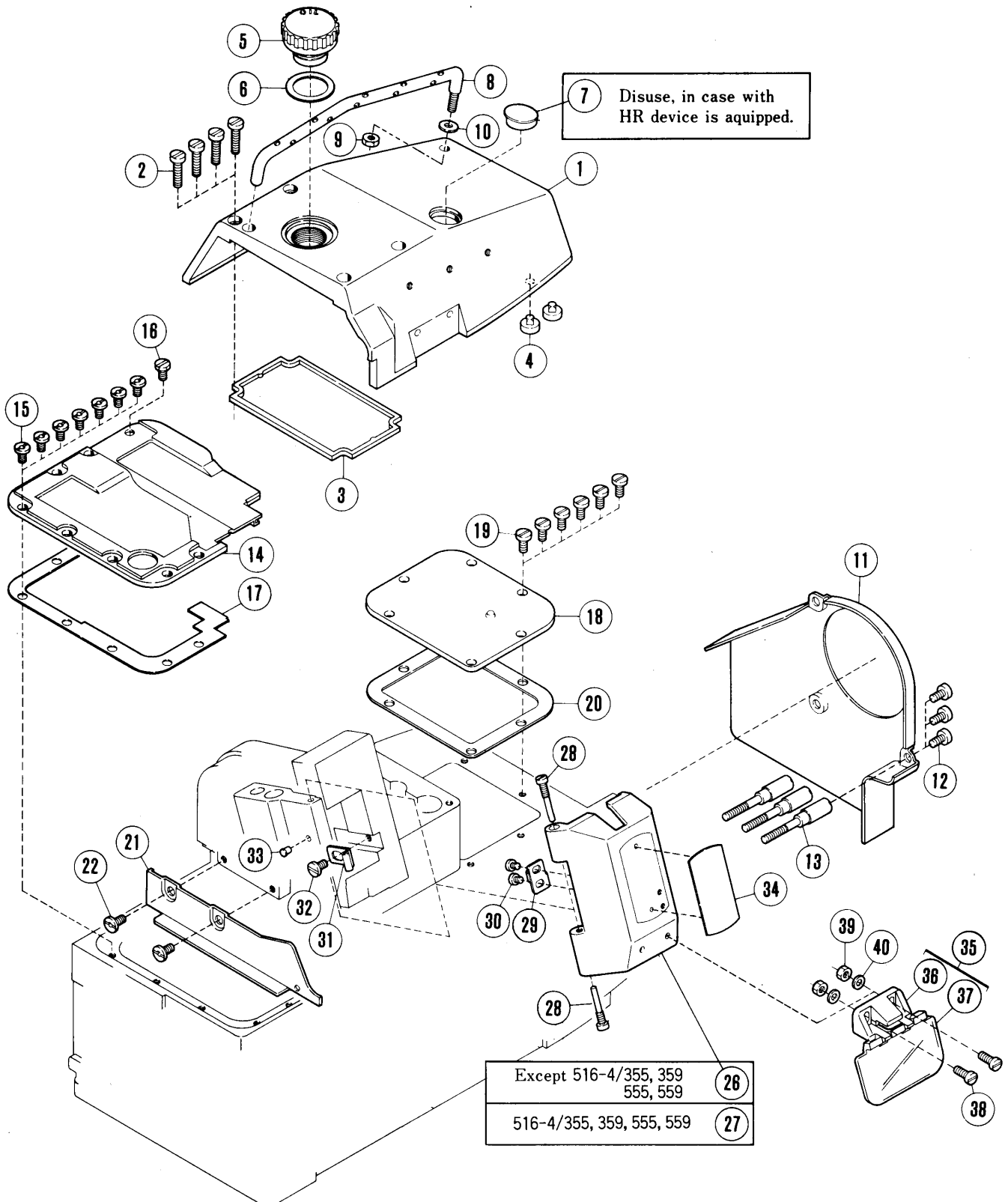


504-4, 503-4, 505-4,  
512-4, 514-4



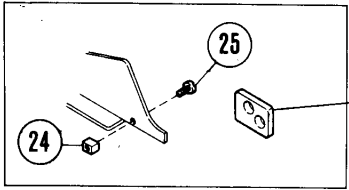
# MACHINE BED FRAME

| REF.<br>NO. | PART NO.  | NAME                | QT. | MEMO |
|-------------|-----------|---------------------|-----|------|
| 1           | 208602-FD | MACHINE ARM (RIGHT) | 1   |      |
| 2           | 5078      | SCREW               | 4   |      |
| 3           | 201002    | PIN                 | 2   |      |
| 4           | 204251    | GASKET              | 1   |      |
| 5           | 208603-FD | MACHINE ARM (LEFT)  | 1   |      |
| 6           | 5237      | SCREW               | 1   |      |
| 7           | 5163      | SCREW               | 2   |      |
| 8           | 208434    | OIL SHIELD          | 1   |      |
| 9           | 208169A   | GASKET              | 1   |      |
| 10          | 201002    | PIN                 | 2   |      |
| 11          | 210005    | COVER PLATE         | 1   |      |
| 12          | 5117      | SCREW               | 6   |      |
| 13          | 210003    | PLUG                | 1   |      |
| 14          | 5332A     | SCREW               | 4   |      |
| 15          | 204828    | PLUG                | 1   |      |
| 16          | 204003    | OIL SIGHT GAUGE     | 1   |      |
| 17          | 212280A   | TYPE PLATE          | 1   |      |
| 18          | 210679    | PIN                 | 2   |      |
| 19          | 204006    | BED PIN             | 4   |      |
| 20          | 2022      | SCREW               | 1   |      |
| 21          | 210003    | PLUG                | 1   |      |
| 22          | 240162    | PLUG                | 1   |      |
| 23          | 202526    | NAME PLATE          | 1   |      |
| 24          | 208600AFD | MACHINE BED         | 1   |      |
| 25          | 208601AFD | MACHINE BED         | 1   |      |
| 26          | 230047A   | SERIAL NUMBER PLATE | 1   |      |
| 27          | 210679    | PIN                 | 2   |      |



7 Disuse, in case with HR device is aquired.

|                                   |    |
|-----------------------------------|----|
| Except 516-4/355, 359<br>555, 559 | 26 |
| 516-4/355, 359, 555, 559          | 27 |

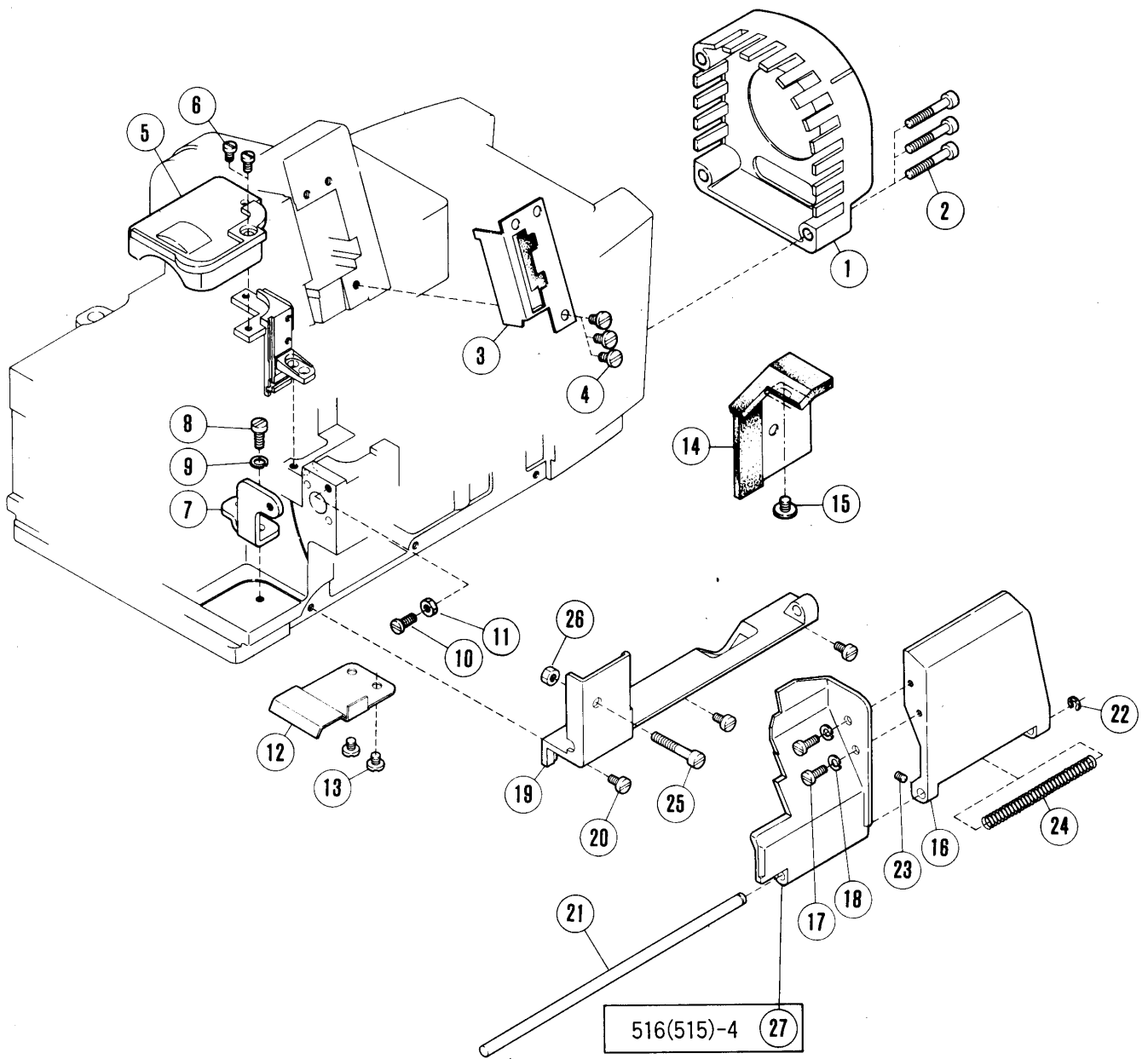


23 Use in case HR device is not equipped.

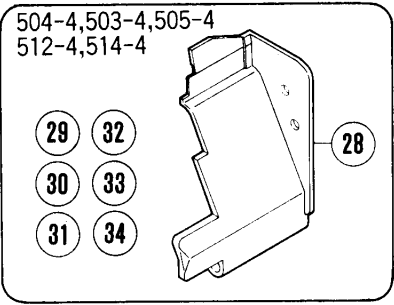
24 25 For Needle Plates without the chainer land.

## COVER (1)

| REF.<br>NO. | PART NO.  | NAME                       | QT. | MEMO |
|-------------|-----------|----------------------------|-----|------|
| 1           | 208299-HD | TOP COVER                  | 1   |      |
| 2           | 5152      | SCREW                      | 4   |      |
| 3           | 208481    | O RING                     | 1   |      |
| 4           | 208482    | CUSHION RUBBER             | 2   |      |
| 5           | 206457    | OIL SIGHT WINDOW           | 1   |      |
| 6           | 206682    | GASKET                     | 1   |      |
| 7           | 208339    | PLUG                       | 1   |      |
| 8           | 208802    | THREAD GUIDE BAR           | 1   |      |
| 9           | 3044      | NUT                        | 1   |      |
| 10          | 200098    | WASHER                     | 1   |      |
| 11          | 205216A   | BELT COVER                 | 1   |      |
| 12          | 5091      | SCREW                      | 3   |      |
| 13          | 205217    | SCREW                      | 3   |      |
| 14          | 208919    | BED PLATE COMPLETE (LEFT)  | 1   |      |
| 15          | 4009-1    | SCREW                      | 7   |      |
| 16          | 5482      | SCREW                      | 1   |      |
| 17          | 208921    | GASKET                     | 1   |      |
| 18          | 208341    | BED COVER PLATE (RIGHT)    | 1   |      |
| 19          | 5117      | SCREW                      | 6   |      |
| 20          | 208342    | GASKET                     | 1   |      |
| 21          | 204848A   | FABRIC GUARD               | 1   |      |
| 22          | 4009-1    | SCREW                      | 2   |      |
| 23          | 204646    | SPACER PLATE               | 1   |      |
| 24          | 204681    | SPACER                     | 1   |      |
| 25          | 2922      | SCREW                      | 1   |      |
| 26          | 208023AHD | NEEDLE BAR COVER           | 1   |      |
| 27          | 209163-HD | NEEDLE BAR COVER           | 1   |      |
| 28          | 202653    | SCREW                      | 2   |      |
| 29          | 202689    | FLAT SPRING                | 1   |      |
| 30          | 1234      | SCREW                      | 2   |      |
| 31          | 204223    | FLAT SPRING                | 1   |      |
| 32          | 4009-1    | SCREW                      | 1   |      |
| 33          | 198192    | CUSHION RUBBER             | 1   |      |
| 34          | 208725    | NAME PLATE                 | 1   |      |
| 35          | 208747    | EYE GUARD COMPLETE         | 1   |      |
| 36          | 208744    | EYE GUARD BRACKET COMPLETE | 1   |      |
| 37          | 205685    | EYE GUARD                  | 1   |      |
| 38          | 1175-3    | SCREW                      | 2   |      |
| 39          | 3091      | NUT                        | 2   |      |
| 40          | 137906    | WASHER                     | 2   |      |



| HR DEVICE | ※  |          |  |  |  |
|-----------|--|----------|--|--|--|
|           | 504-4, 503-4, 505-4<br>[1-needle]<br>(Except 504-4/65) | 504-4/65 | 514-4, 512-4<br>[2-needle]<br>(NG=1.5mm) | 514-4, 512-4<br>[2-needle]<br>(NG=2.5-3.5mm) | 514-4, 512-4<br>[2-needle]<br>(NG=2.0mm) |
| YES       | 29   | 31       | 29                                       | 33   | 29                                       |
| NO        | 28   | 30       | 28                                       | 32   | 34                                       |

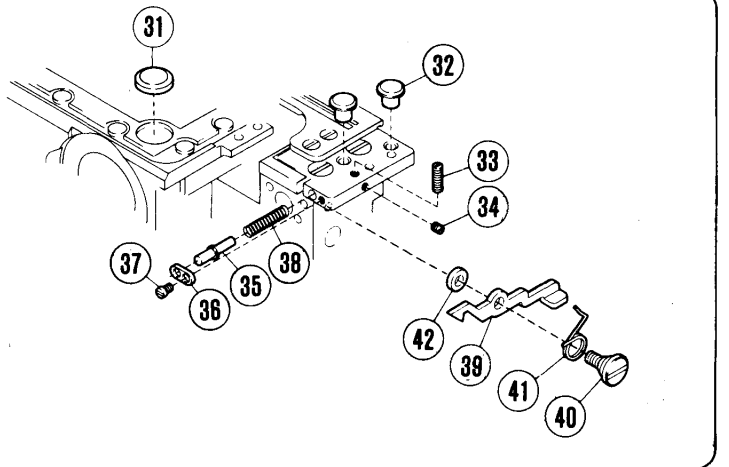
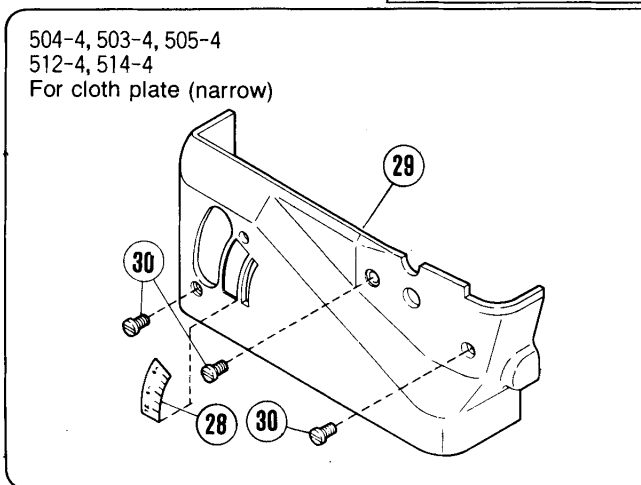
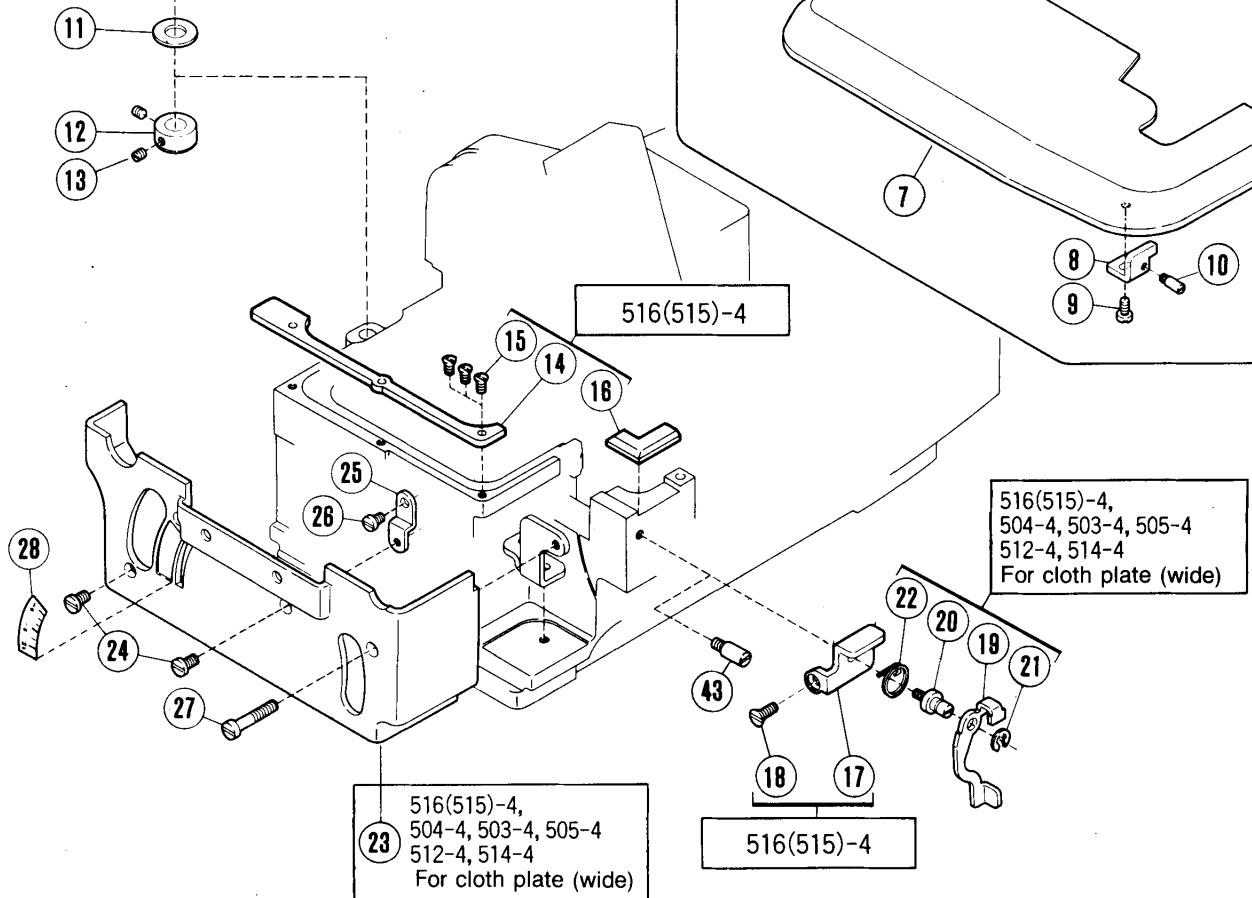
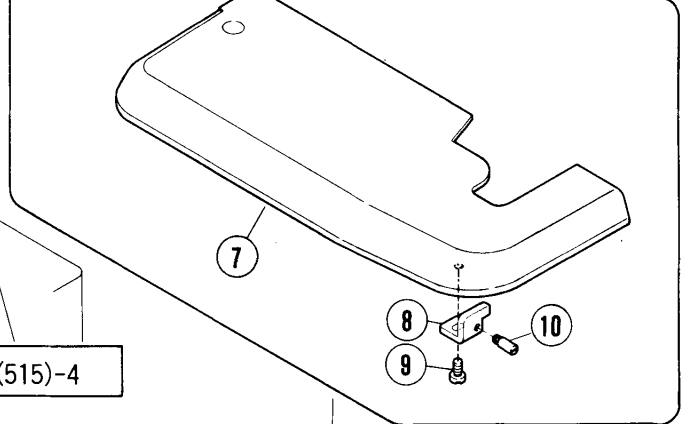
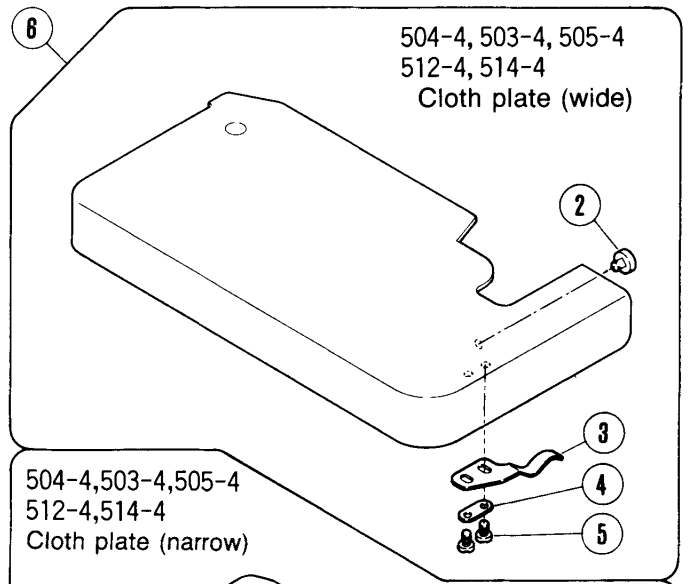
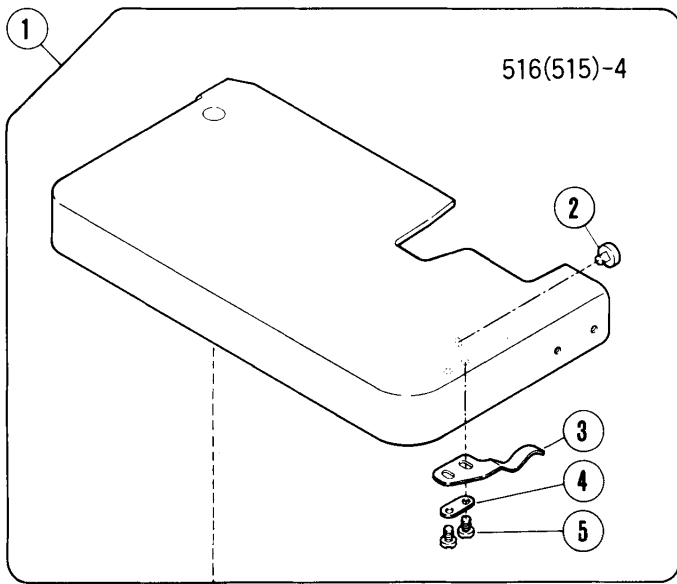


※ 33 Should be used for 512-5/53, 512-4/57 (NG=2.0mm)



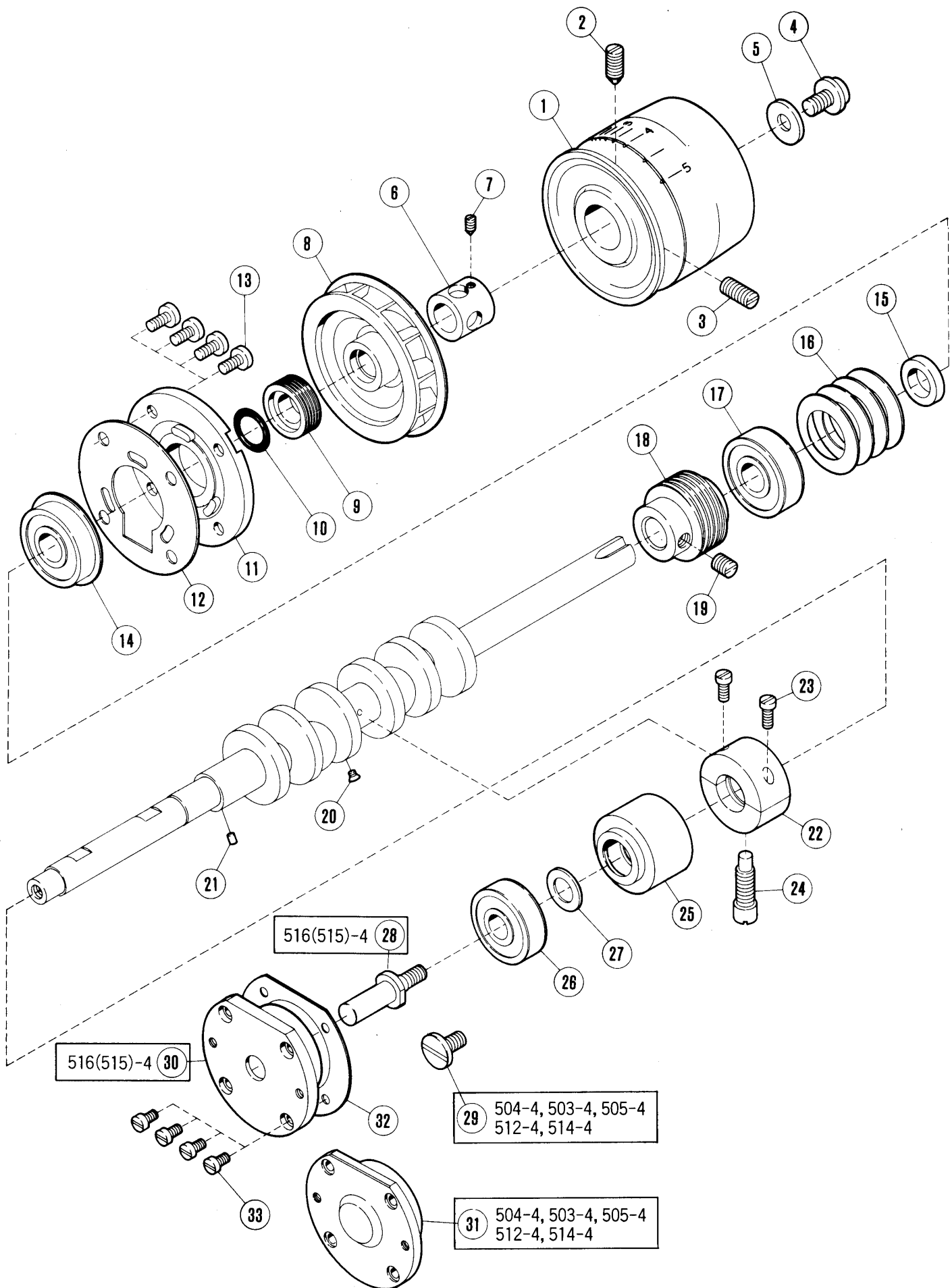
## COVER (2)

| REF.<br>NO. | PART NO.  | NAME                 | QT. | MEMO |
|-------------|-----------|----------------------|-----|------|
| 1           | 204650A   | COVER                | 1   |      |
| 2           | 5094      | SCREW                | 3   |      |
| 3           | 208430    | FACE PLATE COMPLETE  | 1   |      |
| 4           | 4009-1    | SCREW                | 3   |      |
| 5           | 208945    | COVER/FEED ECCENTRIC | 1   |      |
| 6           | 5328      | SCREW                | 2   |      |
| 7           | 204868    | SPACER               | 1   |      |
| 8           | 2902      | SCREW                | 1   |      |
| 9           | 202286    | SPRING WASHER        | 1   |      |
| 10          | 5002      | SCREW                | 1   |      |
| 11          | 3044      | NUT                  | 1   |      |
| 12          | 210007    | FEED BAR COVER       | 1   |      |
| 13          | 2905      | SCREW                | 2   |      |
| 14          | 208604    | OIL SHIELD COMPLETE  | 1   |      |
| 15          | 5147      | SCREW                | 1   |      |
| 16          | 208001-FD | FRONT COVER (RIGHT)  | 1   |      |
| 17          | 1175-3    | SCREW                | 2   |      |
| 18          | 200821    | WASHER               | 2   |      |
| 19          | 208008-FD | HINGE/FRONT COVER    | 1   |      |
| 20          | 1216      | SCREW                | 3   |      |
| 21          | 208009    | PIN                  | 1   |      |
| 22          | 200555    | RING                 | 1   |      |
| 23          | 5146      | SCREW                | 2   |      |
| 24          | 208010    | SPRING               | 1   |      |
| 25          | 5094      | SCREW                | 1   |      |
| 26          | 5137      | NUT                  | 1   |      |
| 27          | 208401    | FRONT COVER (LEFT)   | 1   |      |
| 28          | 208003    | FRONT COVER (LEFT)   | 1   |      |
| 29          | 208004    | FRONT COVER (LEFT)   | 1   |      |
| 30          | 208005    | FRONT COVER (LEFT)   | 1   |      |
| 31          | 208006    | FRONT COVER (LEFT)   | 1   |      |
| 32          | 208058    | FRONT COVER (LEFT)   | 1   |      |
| 33          | 208056    | FRONT COVER (LEFT)   | 1   |      |
| 34          | 209285    | FRONT COVER (LEFT)   | 1   |      |



## COVER (3)

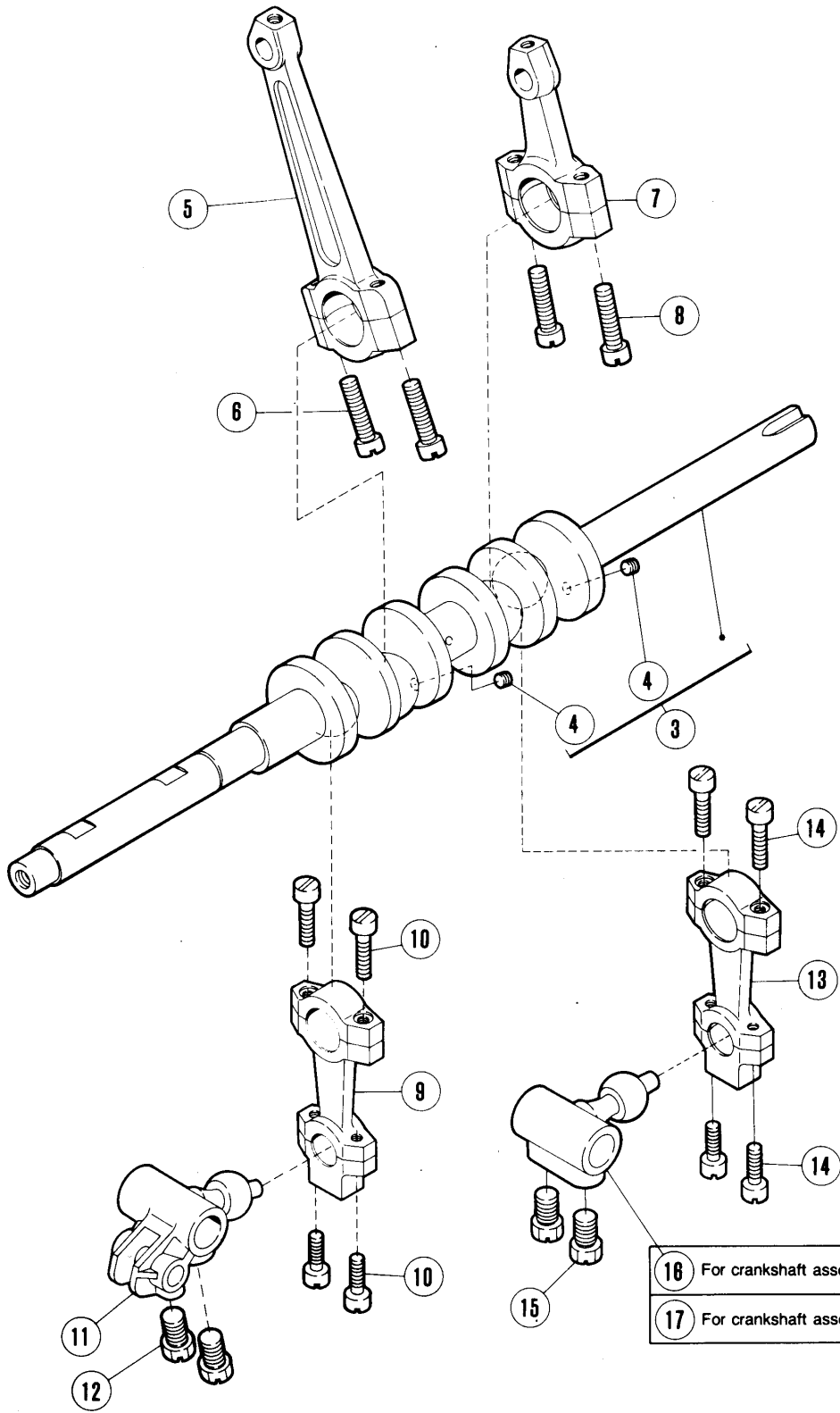
| REF.<br>NO. | PART NO.   | NAME                 | QT. | MEMO |
|-------------|------------|----------------------|-----|------|
| 1           | 208610     | CLOTH PLATE COMPLETE | 1   |      |
| 2           | 210025     | CUSHION              | 1   |      |
| 3           | 204218     | FLAT SPRING          | 1   |      |
| 4           | 200162A    | WASHER               | 1   |      |
| 5           | 1216       | SCREW                | 2   |      |
| 6           | 208612     | CLOTH PLATE COMPLETE | 1   |      |
| 7           | 208611     | CLOTH PLATE COMPLETE | 1   |      |
| 8           | 204744     | BRACKET              | 1   |      |
| 9           | 1202       | SCREW                | 1   |      |
| 10          | 204743     | SCREW                | 1   |      |
| 11          | 202576     | WASHER               | 1   |      |
| 12          | 201139     | COLLAR               | 1   |      |
| 13          | 1457       | SCREW                | 2   |      |
| 14          | 204242     | RUBBER PLUG          | 1   |      |
| 15          | 5022       | SCREW                | 3   |      |
| 16          | 204243     | RUBBER PLUG          | 1   |      |
| 17          | 208741     | STOPPER              | 1   |      |
| 18          | 1732       | SCREW                | 1   |      |
| 19          | 208737     | LEVER                | 1   |      |
| 20          | 208738     | PIN                  | 1   |      |
| 21          | 201629     | RING                 | 1   |      |
| 22          | 208740     | SPRING               | 1   |      |
| 23          | 204865AFA  | SIDE COVER           | 1   |      |
| 24          | 5091       | SCREW                | 1   |      |
| 25          | 204867     | SPACER               | 1   |      |
| 26          | 5113       | SCREW                | 1   |      |
| 27          | 5182       | SCREW                | 1   |      |
| 28          | 209405     | INDICATION PLATE     | 1   |      |
| 29          | 204857A-FA | SIDE COVER COMPLETE  | 1   |      |
| 30          | 5091       | SCREW                | 3   |      |
| 31          | 204827     | RUBBER PLUG          | 1   |      |
| 32          | 204749     | RUBBER PLUG          | 1   |      |
| 33          | 1435       | SCREW                | 1   |      |
| 34          | 1459       | SCREW                | 1   |      |
| 35          | 204746     | PIN                  | 1   |      |
| 36          | 204747     | GUIDE                | 1   |      |
| 37          | 5053       | SCREW                | 1   |      |
| 38          | 204748     | SPRING               | 1   |      |
| 39          | 204742     | LATCH                | 1   |      |
| 40          | 5362       | SCREW                | 1   |      |
| 41          | 204745     | SPRING               | 1   |      |
| 42          | 208245     | WASHER               | 1   |      |
| 43          | 5232       | SCREW                | 1   |      |



# CRANKSHAFT DRIVE MECHANISM (1)

| REF.<br>NO. | PART NO.  | NAME                  | QT. | MEMO |
|-------------|-----------|-----------------------|-----|------|
| 1           | 208932-HD | MACHINE PULLEY        | 1   |      |
| 2           | 5080      | SCREW                 | 1   |      |
| 3           | 5081      | SCREW                 | 1   |      |
| 4           | 5549      | SCREW                 | 1   |      |
| 5           | 204023    | WASHER                | 1   |      |
| 6           | 204026    | SPACER                | 1   |      |
| 7           | 5267      | SCREW                 | 1   |      |
| 8           | 204198    | COOLING FAN           | 1   |      |
| 9           | 208476    | OIL SEAL COLLAR       | 1   |      |
| 10          | 208272    | O RING                | 1   |      |
| 11          | 208477    | PLATE                 | 1   |      |
| 12          | 204022    | GASKET                | 1   |      |
| 13          | 5117      | SCREW                 | 4   |      |
| 14          | 204020A   | BUSHING               | 1   |      |
| 15          | 204019A   | SPACER                | 1   |      |
| 16          | 204018    | SPRING                | 4   |      |
| 17          | 201523A   | BALL BEARING          | 1   |      |
| 18          | 204186A   | WORM                  | 1   |      |
| 19          | 2022      | SCREW                 | 1   |      |
| 20          | 5304      | SCREW                 | 1   |      |
| 21          | 207358    | OIL FELT              | 1   |      |
| 22          | 204016    | BUSHING               | 1   |      |
| 23          | 1170-1    | SCREW                 | 2   |      |
| 24          | 5240      | SCREW                 | 1   |      |
| 25          | 204014    | BUSHING               | 1   |      |
| 26          | 204010    | BUSHING               | 1   |      |
| 27          | 240102    | WASHER                | 1   |      |
| 28          | 204873    | CRANK SHAFT EXTENSION | 1   |      |
| 29          | 5361      | SCREW                 | 1   |      |
| 30          | 204881    | HOUSING               | 1   |      |
| 31          | 204737    | HOUSING               | 1   |      |
| 32          | 204319    | GASKET                | 1   |      |
| 33          | 1175-2    | SCREW                 | 4   |      |

|   |             |   |
|---|-------------|---|
| 1 | 3 ~ 16      | 516(515)-4 except the following models.       |
| 2 | 3 ~ 15 • 17 | 516(515)-4/86, 87, 88, 89, 355, 359, 555, 559 |

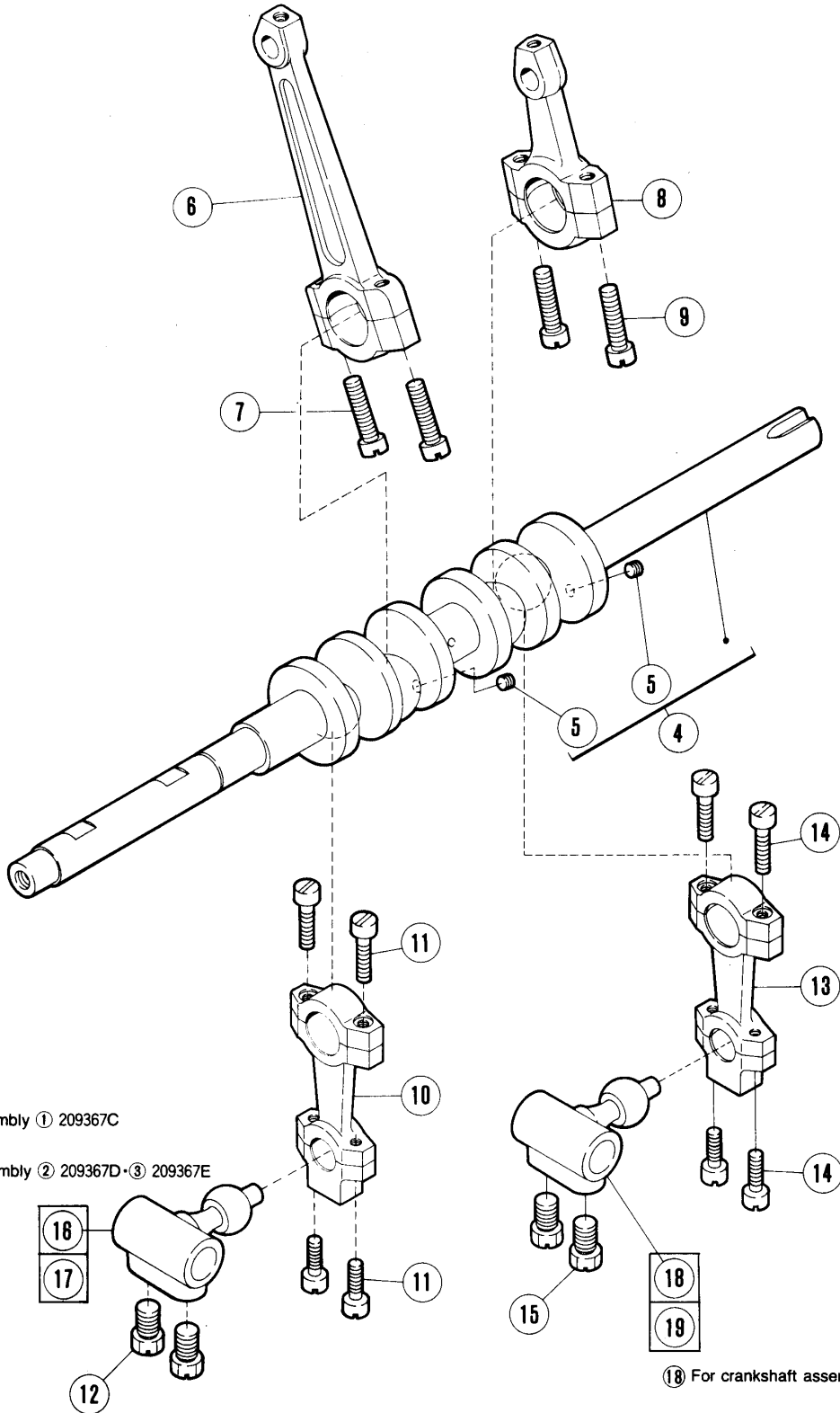


# CRANKSHAFT DRIVE MECHANISM (2)

| REF. NO. | PART NO. | NAME                         | QT. | MEMO |
|----------|----------|------------------------------|-----|------|
| 1        | 209367A  | CRANKSHAFT ASSEMBLY          | 1   |      |
| 2        | 209367B  | CRANKSHAFT ASSEMBLY          | 1   |      |
| 3        | 208951   | CRANKSHAFT                   | 1   |      |
| 4        | 1459     | SCREW                        | 2   |      |
| 5        | 204029   | CONNECTION                   | 1   |      |
| 6        | 5233     | SCREW                        | 2   |      |
| 7        | 204145A  | DRIVE CONNECTION/UPPER KNIFE | 1   |      |
| 8        | 5233     | SCREW                        | 2   |      |
| 9        | 208346   | CONNECTION                   | 1   |      |
| 10       | 5376     | SCREW                        | 4   |      |
| 11       | 208192   | CRANK/LOWER LOOPER           | 1   |      |
| 12       | 2022-4   | SCREW                        | 2   |      |
| 13       | 208346   | CONNECTION                   | 1   |      |
| 14       | 5376     | SCREW                        | 4   |      |
| 15       | 2022-4   | SCREW                        | 2   |      |
| 16       | 204048A  | CRANK                        | 1   |      |
| 17       | 204788   | CRANK/LOWER LOOPER           | 1   |      |

|   |                  |
|---|------------------|
| 1 | 4 ~ 16 • 18      |
| 2 | 4 ~ 15 • 17 • 18 |
| 3 | 4 ~ 15 • 17 • 19 |

- ① • 504-4,503-4,505-4 (except 504-4/65)
- ② • 514-4,512-4 (except 514-4/18,18S1,18S2,18S4,18S5  
514-4/67,73.)  
• 504-4/65 (SW=3.0~6.0mm)
- ③ • 514-4/18, 18S1, 18S2, 18S4, 18S5  
514-4/67, 73  
• 504-4/65 (SW=7.0~8.0mm)



①⑥ For crankshaft assembly ① 209367C

①⑦ For crankshaft assembly ② 209367D • ③ 209367E

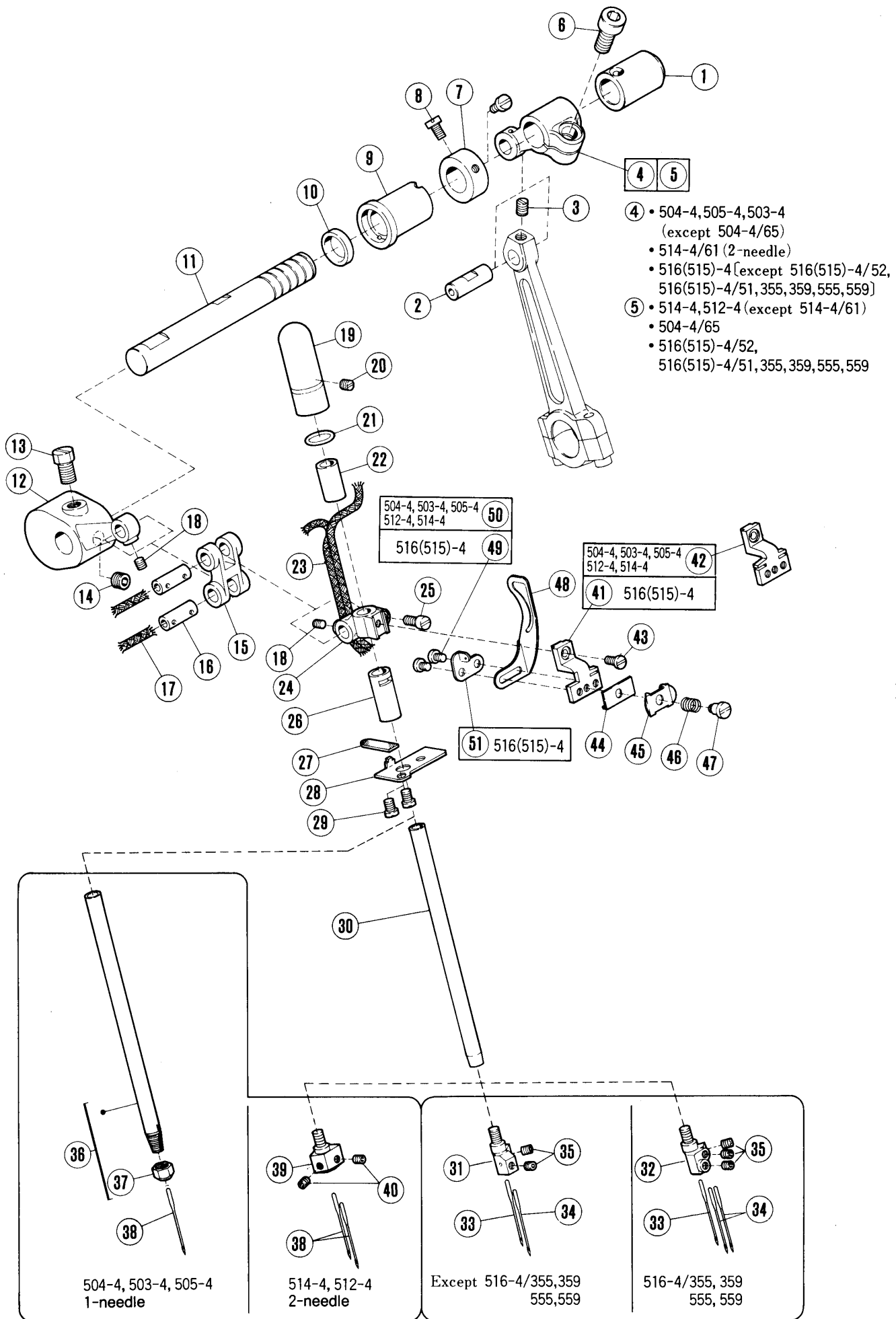
①⑧ For crankshaft assembly ① 209367C, ② 209367D

①⑨ For crankshaft assembly ③ 209367E



# CRANKSHAFT DRIVE MECHANISM (3)

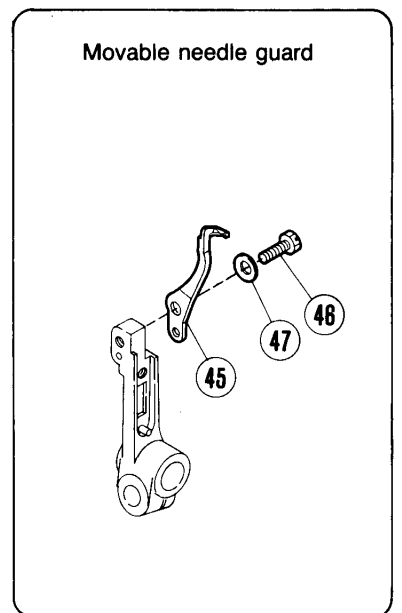
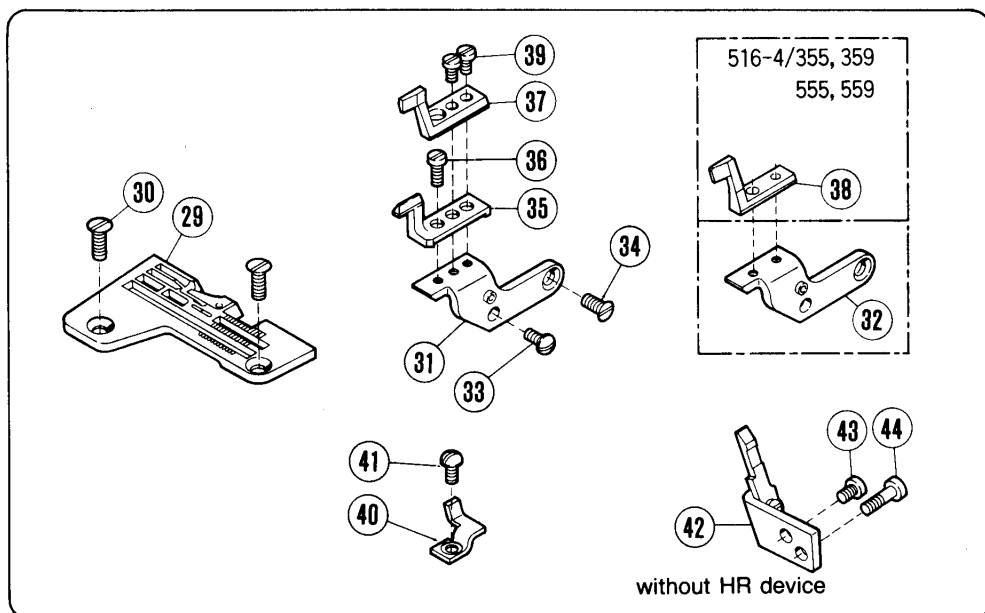
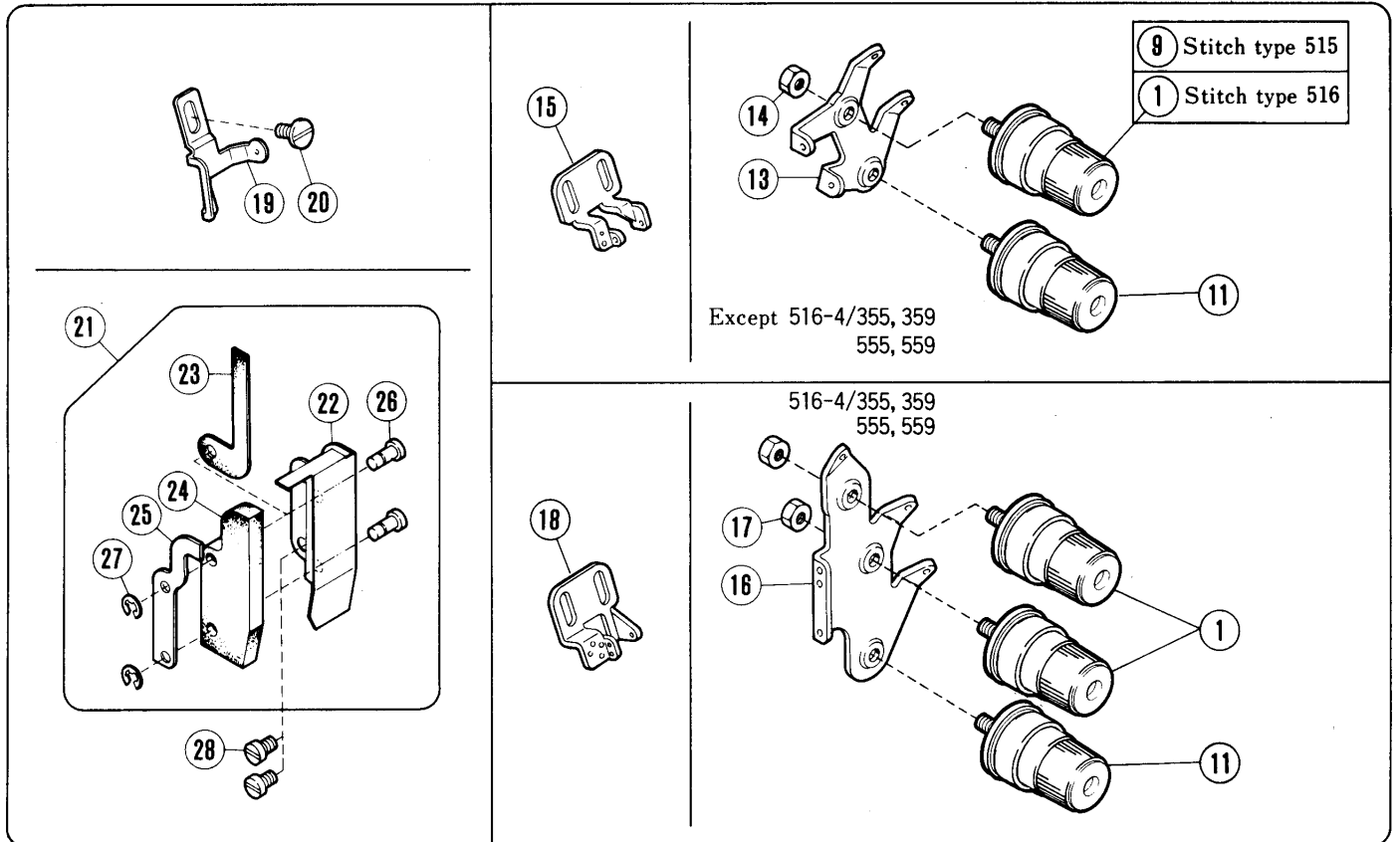
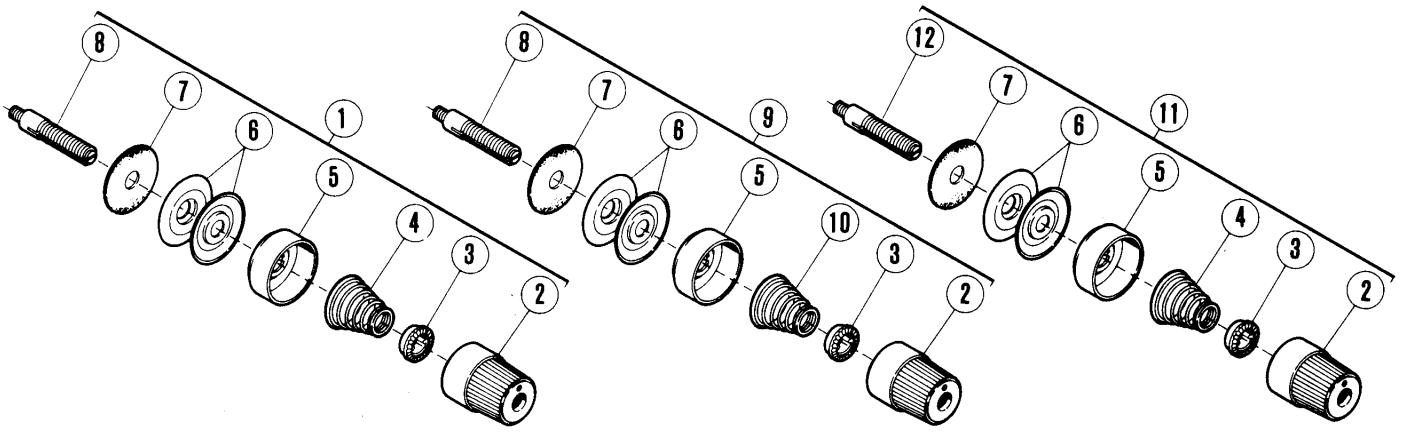
| REF.<br>NO. | PART NO. | NAME                         | QT. | MEMO |
|-------------|----------|------------------------------|-----|------|
| 1           | 209367C  | CRANKSHAFT ASSEMBLY          | 1   |      |
| 2           | 209367D  | CRANKSHAFT ASSEMBLY          | 1   |      |
| 3           | 209367E  | CRANKSHAFT ASSEMBLY          | 1   |      |
| 4           | 208951   | CRANKSHAFT                   | 1   |      |
| 5           | 1459     | SCREW                        | 2   |      |
| 6           | 204029   | CONNECTION                   | 1   |      |
| 7           | 5233     | SCREW                        | 2   |      |
| 8           | 204145A  | DRIVE CONNECTION/UPPER KNIFE | 1   |      |
| 9           | 5233     | SCREW                        | 2   |      |
| 10          | 208346   | CONNECTION                   | 1   |      |
| 11          | 5376     | SCREW                        | 4   |      |
| 12          | 2022-4   | SCREW                        | 2   |      |
| 13          | 208346   | CONNECTION                   | 1   |      |
| 14          | 5376     | SCREW                        | 4   |      |
| 15          | 2022-4   | SCREW                        | 2   |      |
| 16          | 204787   | CRANK/LOWER LOOPER           | 1   |      |
| 17          | 204788   | CRANK/LOWER LOOPER           | 1   |      |
| 18          | 204048A  | CRANK                        | 1   |      |
| 19          | 204788   | CRANK/LOWER LOOPER           | 1   |      |



# NEEDLE DRIVE MECHANISM (1)

PLEASE NOTE : 「×××××」 is one of the gauge parts.  
So please refer to pages 74~132 and confirm the correct parts.

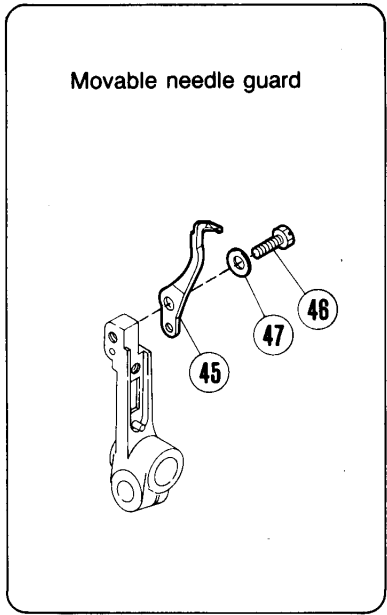
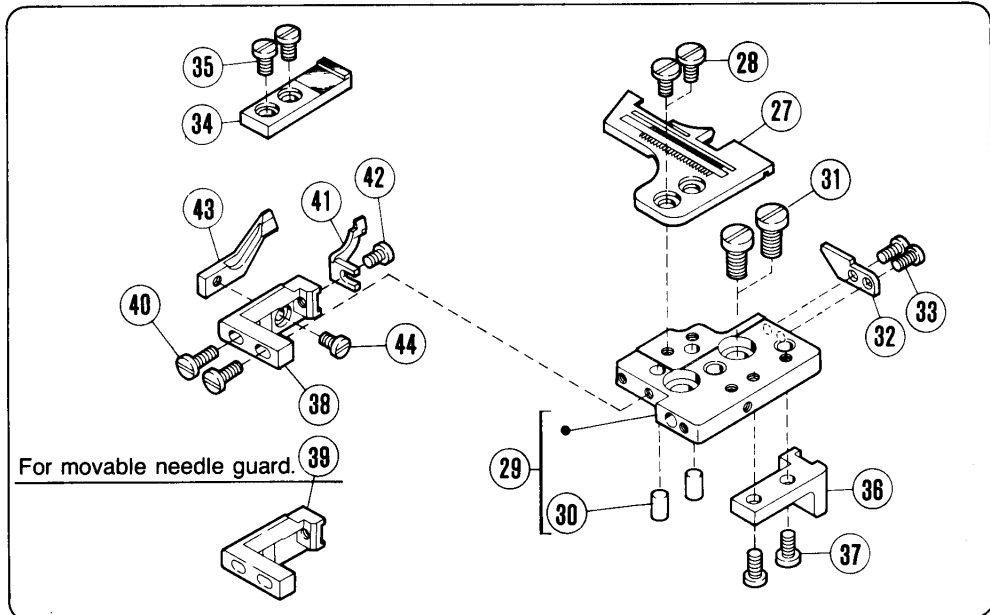
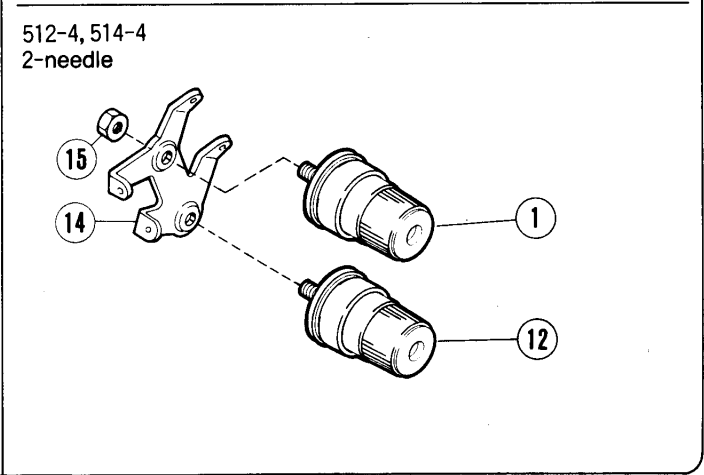
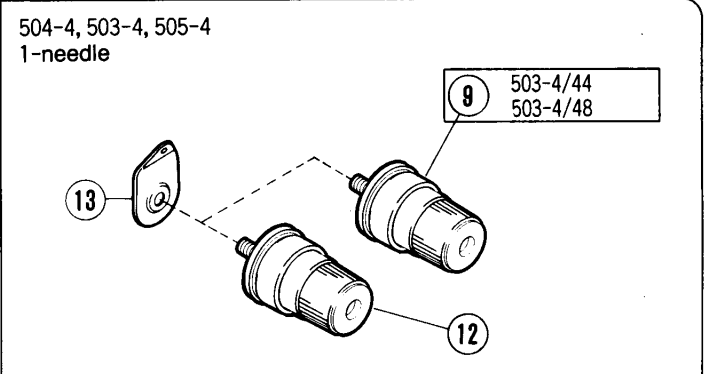
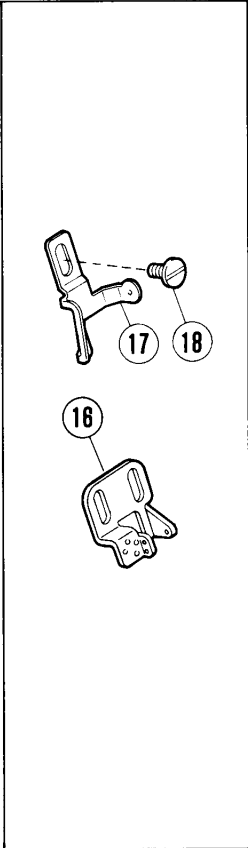
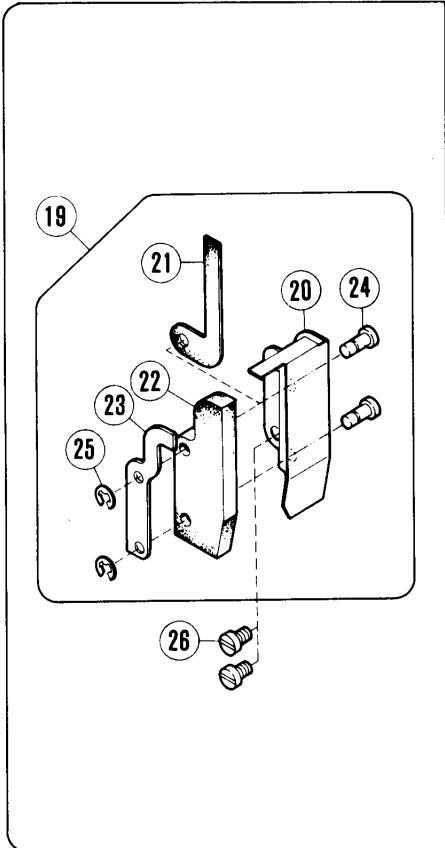
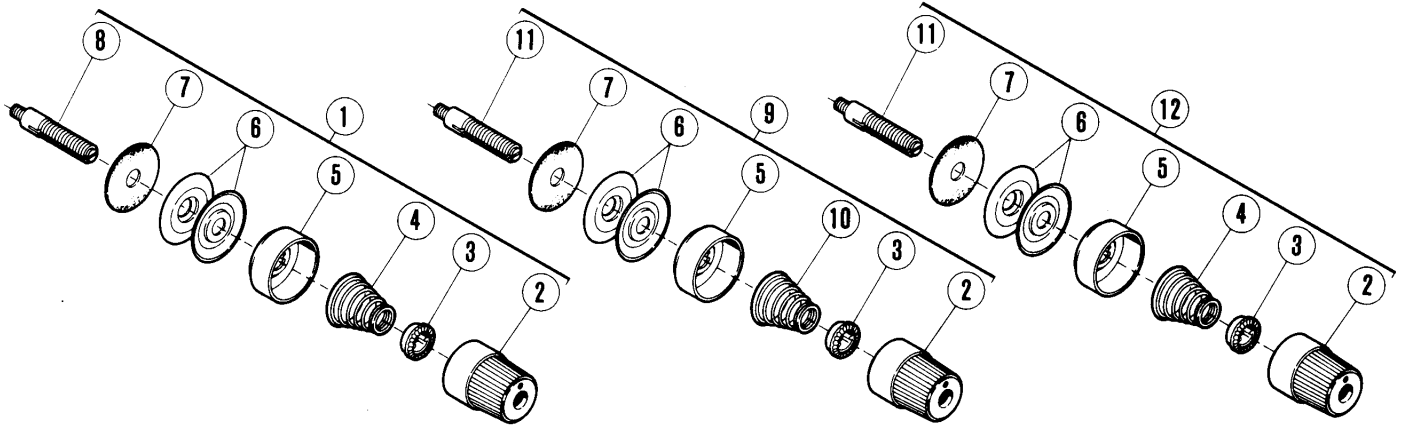
| REF. NO. | PART NO. | NAME                  | QT. | MEMO |
|----------|----------|-----------------------|-----|------|
| 1        | 208249   | BUSHING               | 1   |      |
| 2        | 205495   | PIN                   | 1   |      |
| 3        | 5234     | SCREW                 | 1   |      |
| 4        | 201360B  | CRANK                 | 1   |      |
| 5        | 201441B  | CRANK                 | 1   |      |
| 6        | 5381     | SCREW                 | 1   |      |
| 7        | 201117   | COLLAR                | 1   |      |
| 8        | 5328     | SCREW                 | 2   |      |
| 9        | 208248   | BUSHING               | 1   |      |
| 10       | 208250   | OIL SEAL              | 1   |      |
| 11       | 208247   | SHAFT                 | 1   |      |
| 12       | 208424   | CRANK/NEEDLE BAR      | 1   |      |
| 13       | 2022-4   | SCREW                 | 1   |      |
| 14       | 5312     | SCREW                 | 1   |      |
| 15       | 208425   | LINK/NEEDLE BAR DRIVE | 1   |      |
| 16       | 200654   | PIN                   | 2   |      |
| 17       | 202176   | OIL WICK              | 2   |      |
| 18       | 5292     | SCREW                 | 2   |      |
| 19       | 208621   | CAP                   | 1   |      |
| 20       | 1457     | SCREW                 | 1   |      |
| 21       | 200030   | O RING                | 1   |      |
| 22       | 204625A  | BUSHING               | 1   |      |
| 23       | 212186   | OIL WICK              | 1   |      |
| 24       | 208427   | NEEDLE BAR CLAMP      | 1   |      |
| 25       | 1170-3   | SCREW                 | 1   |      |
| 26       | 204627A  | BUSHING               | 1   |      |
| 27       | 208617   | OIL FELT              | 1   |      |
| 28       | 208616   | DUST SHIELD           | 1   |      |
| 29       | 5053     | SCREW                 | 2   |      |
| 30       | 208903   | NEEDLE BAR            | 1   |      |
| 31       | XXXXXX   | NEEDLE HOLDER         | 1   |      |
| 32       | XXXXXX   | NEEDLE HOLDER         | 1   |      |
| 33       | DCX27    | NEEDLE                | 1   |      |
| 34       | DCX27    | NEEDLE                |     |      |
| 35       | 5292     | SCREW                 |     |      |
| 36       | 204623   | NEEDLE BAR COMPLETE   | 1   |      |
| 37       | 3119     | NUT                   | 1   |      |
| 38       | XXXXXX   | NEEDLE                |     |      |
| 39       | XXXXXX   | NEEDLE HOLDER         | 1   |      |
| 40       | 5292     | SCREW                 | 2   |      |
| 41       | 204706   | RETAINER BRACKET      | 1   |      |
| 42       | 202705A  | RETAINER BRACKET      | 1   |      |
| 43       | 5359     | SCREW                 | 1   |      |
| 44       | 202495   | GUIDE                 | 1   |      |
| 45       | 200041   | GUIDE                 | 1   |      |
| 46       | 209068   | SPRING                | 1   |      |
| 47       | W09070-2 | SCREW                 | 1   |      |
| 48       | 202706A  | THREAD TAKEUP         | 1   |      |
| 49       | 1186     | SCREW                 | 2   |      |
| 50       | 5292     | SCREW                 | 2   |      |
| 51       | 204707   | THREAD GUIDE          | 1   |      |



# NEEDLE DRIVE MECHANISM (2)

PLEASE NOTE : 「×××××」 is one of the gauge parts.  
So please refer to pages 74~132 and confirm the correct parts.

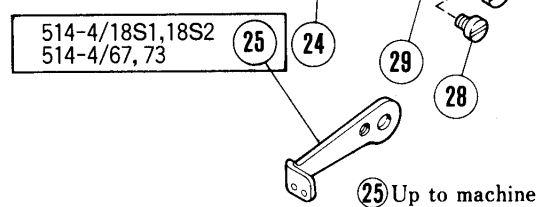
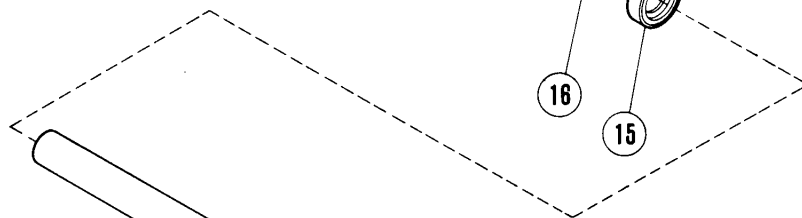
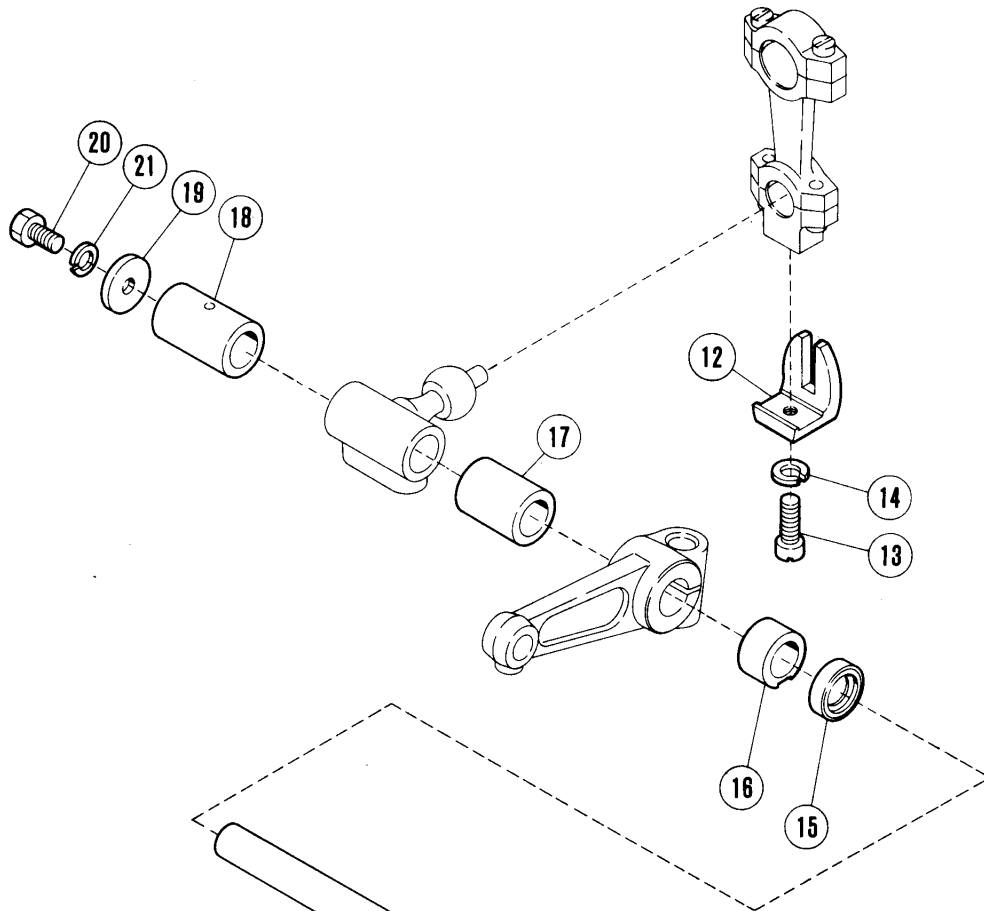
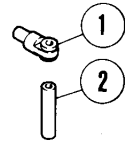
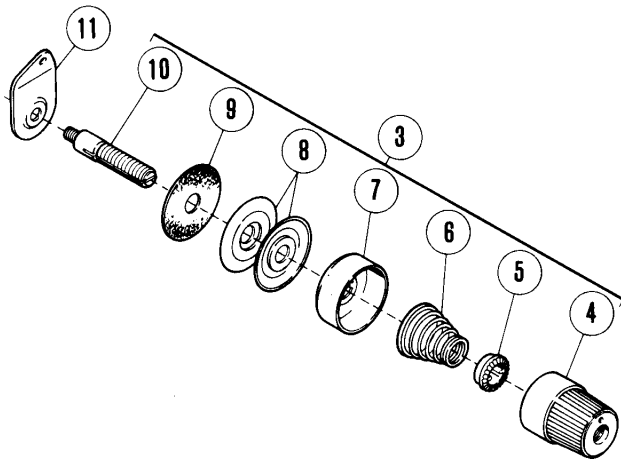
| REF. NO. | PART NO. | NAME                           | QT. | MEMO |
|----------|----------|--------------------------------|-----|------|
| 1        | 209174   | THREAD TENSION COMPLETE        | 1   |      |
| 2        | 208447   | POST NUT                       | 1   |      |
| 3        | 208448   | SPRING BUSHING                 | 1   |      |
| 4        | 201037   | SPRING (HEAVY)                 | 1   |      |
| 5        | 208450   | CUP                            | 1   |      |
| 6        | 210319   | TENSION DISC                   | 2   |      |
| 7        | 208449   | FELT                           | 1   |      |
| 8        | 5143A    | STUD                           | 1   |      |
| 9        | 209175   | THREAD TENSION COMPLETE        | 1   |      |
| 10       | 201068   | SPRING (LIGHT)                 | 1   |      |
| 11       | 210529   | THREAD TENSION COMPLETE        | 1   |      |
| 12       | 5082A    | SCREW STUD                     | 1   |      |
| 13       | 208307   | TENSION GUIDE                  | 1   |      |
| 14       | 5137     | NUT                            | 1   |      |
| 15       | 208778   | THREAD GUIDE                   | 1   |      |
| 16       | 209161   | TENSION GUIDE                  | 1   |      |
| 17       | 5137     | NUT                            | 2   |      |
| 18       | 208777   | THREAD GUIDE                   | 1   |      |
| 19       | 208399   | THREAD GUIDE                   | 1   |      |
| 20       | 4009-1   | SCREW                          | 1   |      |
| 21       | 208568   | NEEDLE BAR LINK COVER COMPLETE | 1   |      |
| 22       | 208560   | NEEDLE BAR LINK COVER          | 1   |      |
| 23       | 208561   | OIL FELT                       | 1   |      |
| 24       | 208562   | OIL FELT                       | 1   |      |
| 25       | 208563   | OIL FELT PLATE                 | 1   |      |
| 26       | 208713   | PIN                            | 2   |      |
| 27       | 200555   | RING                           | 2   |      |
| 28       | 5113     | SCREW                          | 2   |      |
| 29       | XXXXXX   | NEEDLE PLATE                   | 1   |      |
| 30       | 1732-HC  | SCREW                          | 2   |      |
| 31       | 204783   | BRACKET                        | 1   |      |
| 32       | 209160   | BRACKET/NEEDLE GUARD           | 1   |      |
| 33       | 5227     | SCREW                          | 1   |      |
| 34       | 5107     | SCREW                          | 1   |      |
| 35       | 204781   | NEEDLE GUARD (REAR)            | 1   |      |
| 36       | 5012     | SCREW                          | 1   |      |
| 37       | 204782   | NEEDLE GUARD (FRONT)           | 1   |      |
| 38       | 209159   | NEEDLE GUARD (FRONT)           | 1   |      |
| 39       | 5029     | SCREW                          | 2   |      |
| 40       | XXXXXX   | NEEDLE GUARD                   | 1   |      |
| 41       | 5227     | SCREW                          | 1   |      |
| 42       | XXXXXX   | NEEDLE GUARD                   | 1   |      |
| 43       | 1206     | SCREW                          | 1   |      |
| 44       | 5010     | SCREW                          | 1   |      |
| 45       | 209009   | MOVABLE NEEDLE GUARD           | 1   |      |
| 46       | 5501     | SCREW                          | 1   |      |
| 47       | 210930   | SPRING WASHER                  | 1   |      |



# NEEDLE DRIVE MECHANISM (3)

PLEASE NOTE : 「×××××」 is one of the gauge parts.  
So please refer to pages 74~132 and confirm the correct parts.

| REF. NO. | PART NO. | NAME                           | QT. | MEMO |
|----------|----------|--------------------------------|-----|------|
| 1        | 209174   | THREAD TENSION COMPLETE        | 1   |      |
| 2        | 208447   | POST NUT                       | 1   |      |
| 3        | 208448   | SPRING BUSHING                 | 1   |      |
| 4        | 201037   | SPRING (HEAVY)                 | 1   |      |
| 5        | 208450   | CUP                            | 1   |      |
| 6        | 210319   | TENSION DISC                   | 2   |      |
| 7        | 208449   | FELT                           | 1   |      |
| 8        | 5143A    | STUD                           | 1   |      |
| 9        | 210531   | THREAD TENSION COMPLETE        | 1   |      |
| 10       | 201068   | SPRING (LIGHT)                 | 1   |      |
| 11       | 5082A    | SCREW STUD                     | 1   |      |
| 12       | 210529   | THREAD TENSION COMPLETE        | 1   |      |
| 13       | 202849   | TENSION GUIDE                  | 1   |      |
| 14       | 208307   | TENSION GUIDE                  | 1   |      |
| 15       | 5137     | NUT                            | 1   |      |
| 16       | 208777   | THREAD GUIDE                   | 1   |      |
| 17       | 208400   | THREAD GUIDE                   | 1   |      |
| 18       | 4009-1   | SCREW                          | 1   |      |
| 19       | 208568   | NEEDLE BAR LINK COVER COMPLETE | 1   |      |
| 20       | 208560   | NEEDLE BAR LINK COVER          | 1   |      |
| 21       | 208561   | OIL FELT                       | 1   |      |
| 22       | 208562   | OIL FELT                       | 1   |      |
| 23       | 208563   | OIL FELT PLATE                 | 1   |      |
| 24       | 208713   | PIN                            | 2   |      |
| 25       | 200555   | RING                           | 2   |      |
| 26       | 5113     | SCREW                          | 2   |      |
| 27       | XXXXXX   | NEEDLE PLATE                   | 1   |      |
| 28       | 4009-1HC | SCREW                          | 2   |      |
| 29       | 204750   | BRACKET/NEEDLE PLATE           | 1   |      |
| 30       | 204630   | PIN                            | 2   |      |
| 31       | 5357     | SCREW                          | 2   |      |
| 32       | 204631   | KEY                            | 1   |      |
| 33       | 5142     | SCREW                          | 1   |      |
| 34       | 208935   | SUPPORT/NEEDLE PLATE           | 1   |      |
| 35       | 5091     | SCREW                          | 1   |      |
| 36       | 204762   | BASE/EDGE GUIDE                | 1   |      |
| 37       | 5091     | SCREW                          | 2   |      |
| 38       | 204636   | BRACKET/NEEDLE DUARD           | 1   |      |
| 39       | 204636A  | BRACKET/NEEDLE DUARD           | 1   |      |
| 40       | 1175-3   | SCREW                          | 2   |      |
| 41       | XXXXXX   | NEEDLE GUARD (FRONT)           | 1   |      |
| 42       | 1206     | SCREW                          | 1   |      |
| 43       | XXXXXX   | NEEDLE GUARD (REAR)            | 1   |      |
| 44       | 1206     | SCREW                          | 1   |      |
| 45       | 209009   | MOVABLE NEEDLE GUARD           | 1   |      |
| 46       | 5501     | SCREW                          | 1   |      |
| 47       | 210930   | SPRING WASHER                  | 1   |      |



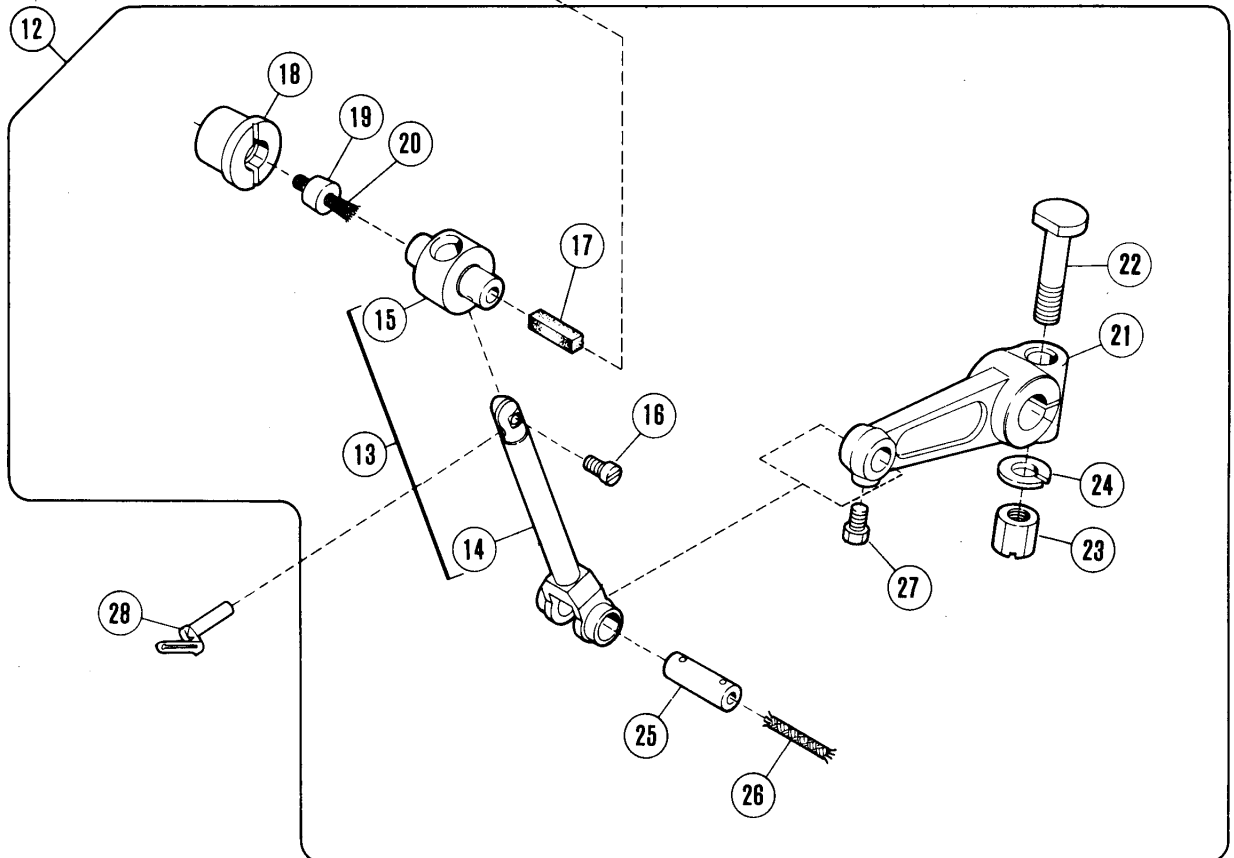
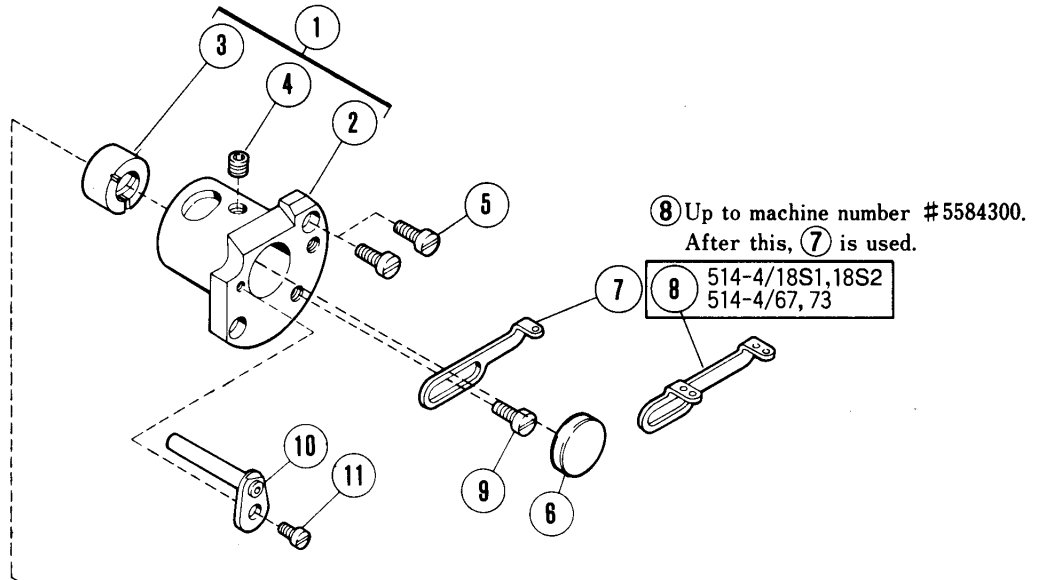
514-4/18S1, 18S2  
514-4/67, 73

②⑤ Up to machine number #5584300.  
After this, ②④ is used.



# UPPER LOOPER DRIVE MECHANISM (1)

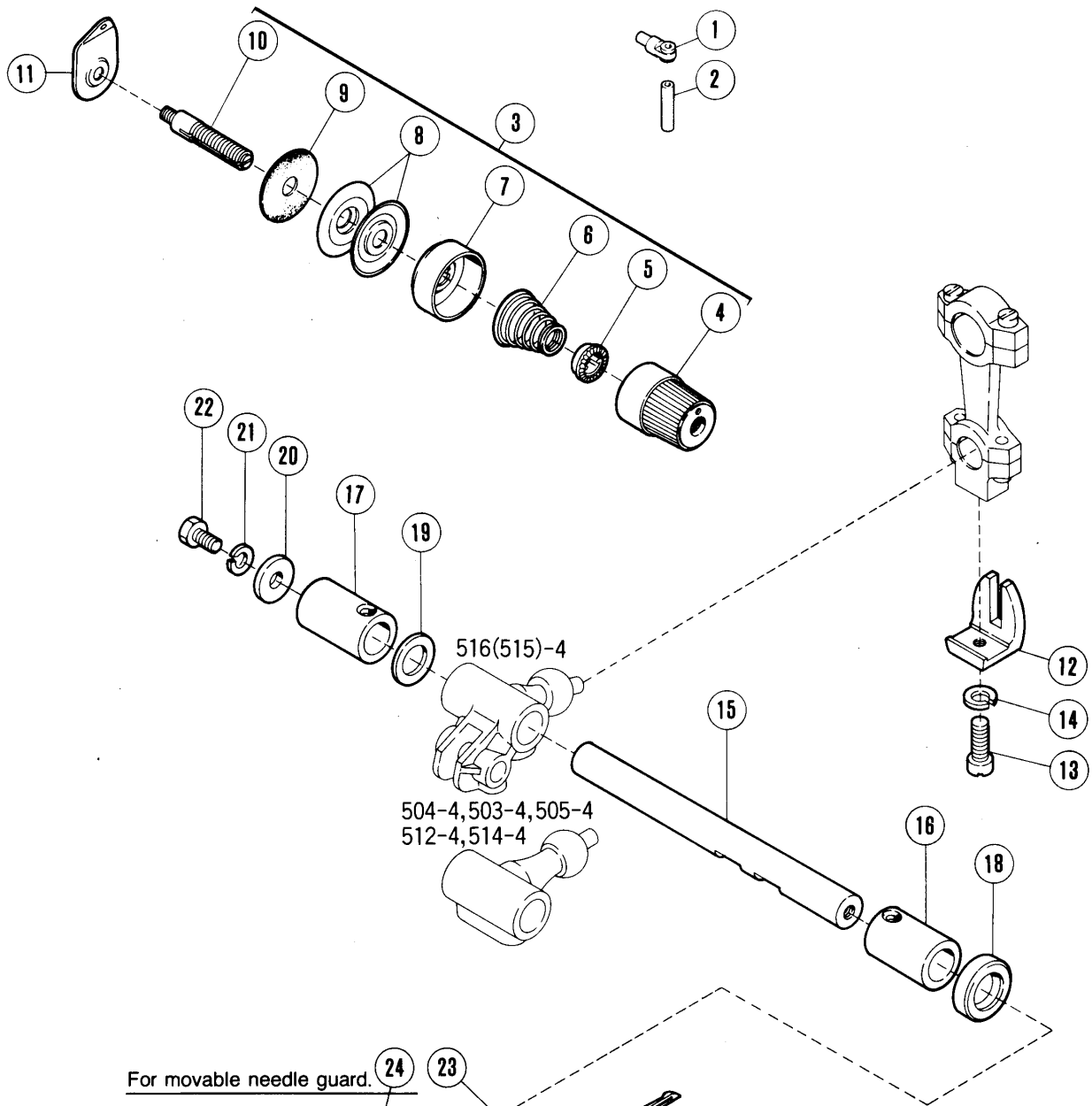
| REF.<br>NO. | PART NO. | NAME                       | QT. | MEMO |
|-------------|----------|----------------------------|-----|------|
| 1           | 201048A  | THREAD EYELET              | 1   |      |
| 2           | 201072A  | PIPE                       | 1   |      |
| 3           | 210531   | THREAD TENSION COMPLETE    | 1   |      |
| 4           | 208447   | POST NUT                   | 1   |      |
| 5           | 208448   | SPRING BUSHING             | 1   |      |
| 6           | 201068   | SPRING (LIGHT)             | 1   |      |
| 7           | 208450   | CUP                        | 1   |      |
| 8           | 210319   | TENSION DISC               | 2   |      |
| 9           | 208449   | FELT                       | 1   |      |
| 10          | 5082A    | SCREW STUD                 | 1   |      |
| 11          | 202849   | TENSION GUIDE              | 1   |      |
| 12          | 201074A  | GUIDE                      | 1   |      |
| 13          | 5546     | SCREW                      | 1   |      |
| 14          | 202286   | SPRING WASHER              | 1   |      |
| 15          | 204052A  | OIL SEAL                   | 1   |      |
| 16          | 208292   | BUSHING                    | 1   |      |
| 17          | 210297   | BUSHING                    | 1   |      |
| 18          | 208429   | BUSHING (REAR)             | 1   |      |
| 19          | 204107   | WASHER                     | 1   |      |
| 20          | 2193     | SCREW                      | 1   |      |
| 21          | 202286   | SPRING WASHER              | 1   |      |
| 23          | 210281   | SHAFT/LOWER LOOPER         | 1   |      |
| 24          | 208445   | THREAD TAKEUP/UPPER LOOPER | 1   |      |
| 25          | 208979   | THREAD TAKEUP/UPPER LOOPER | 1   |      |
| 26          | 2902     | SCREW                      | 1   |      |
| 27          | 204902   | AUXILIARY THREAD TAKEUP    | 1   |      |
| 28          | 2921     | SCREW                      | 1   |      |
| 29          | 202875   | WASHER                     | 1   |      |



# UPPER LOOPER DRIVE MECHANISM (2)

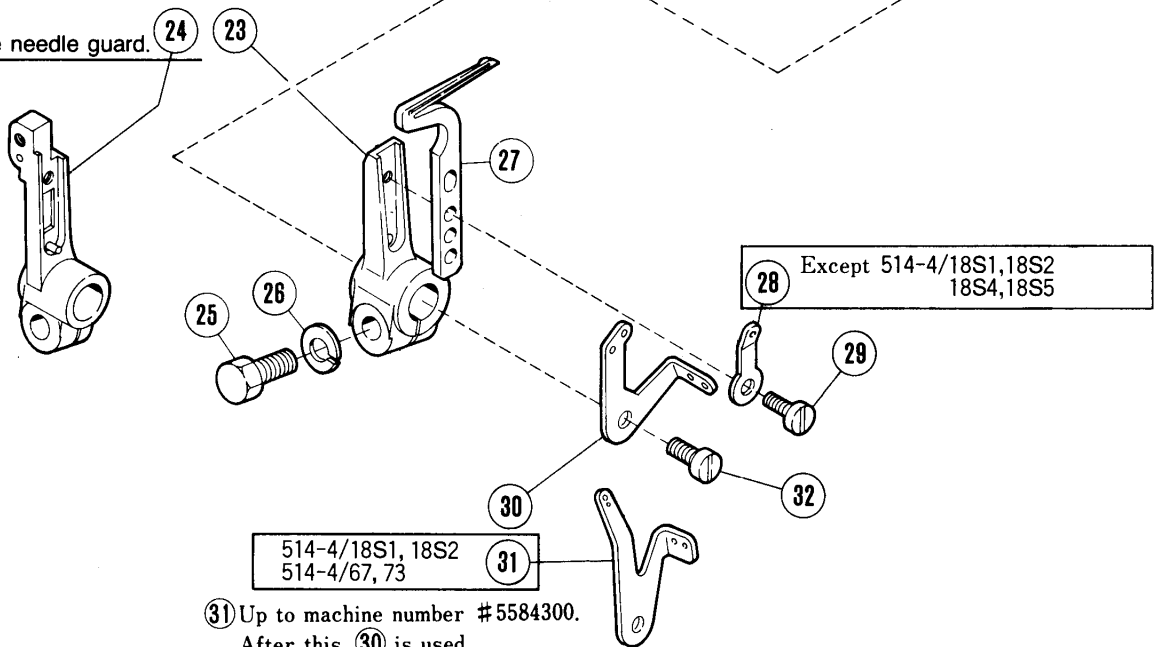
PLEASE NOTE : 「×××××」 is one of the gauge parts.  
So please refer to pages 74~132 and confirm the correct parts.

| REF. NO. | PART NO.   | NAME                         | QT. | MEMO |
|----------|------------|------------------------------|-----|------|
| 1        | 209250     | HOUSING ASSEMBLY             | 1   |      |
| 2        | 208937     | HOUSING                      | 1   |      |
| 3        | 210109     | BUSHING                      | 1   |      |
| 4        | 5408       | SCREW                        | 1   |      |
| 5        | 1175-2     | SCREW                        | 2   |      |
| 6        | 208173     | PLUG                         | 1   |      |
| 7        | 204905     | THREAD GUIDE                 | 1   |      |
| 8        | 208980     | THREAD GUIDE (LOWER)         | 1   |      |
| 9        | 2905       | SCREW                        | 1   |      |
| 10       | 204903     | THREAD TUBE                  | 1   |      |
| 11       | 5012       | SCREW                        | 1   |      |
| 12       | 209389-91Y | UPPER LOOPER HOLDER          | 1   |      |
| 13       | 208976     | UPPER LOOPER HOLDER ASSEMBLY | 1   |      |
| 14       | 208974     | UPPER LOOPER HOLDER          | 1   |      |
| 15       | 210107     | GUIDE/UPPER LOOPER HOLDER    | 1   |      |
| 16       | 1998-2     | SCREW                        | 1   |      |
| 17       | 204274     | OIL WICK                     | 2   |      |
| 18       | 208938     | BUSHING (REAR)               | 1   |      |
| 19       | 208592     | CAP                          | 1   |      |
| 20       | 202176     | OIL WICK                     | 1   |      |
| 21       | 204055B    | CRANK/UPPER LOOPER           | 1   |      |
| 22       | 5239       | SCREW                        | 1   |      |
| 23       | 5286       | NUT                          | 1   |      |
| 24       | 202045     | SPRING WASHER                | 1   |      |
| 25       | 208258     | PIN                          | 1   |      |
| 26       | 202176     | OIL WICK                     | 1   |      |
| 27       | 5084       | SCREW                        | 1   |      |
| 28       | XXXXXX     | UPPER LOOPER                 | 1   |      |



516(515)-4  
504-4, 503-4, 505-4  
512-4, 514-4

For movable needle guard.

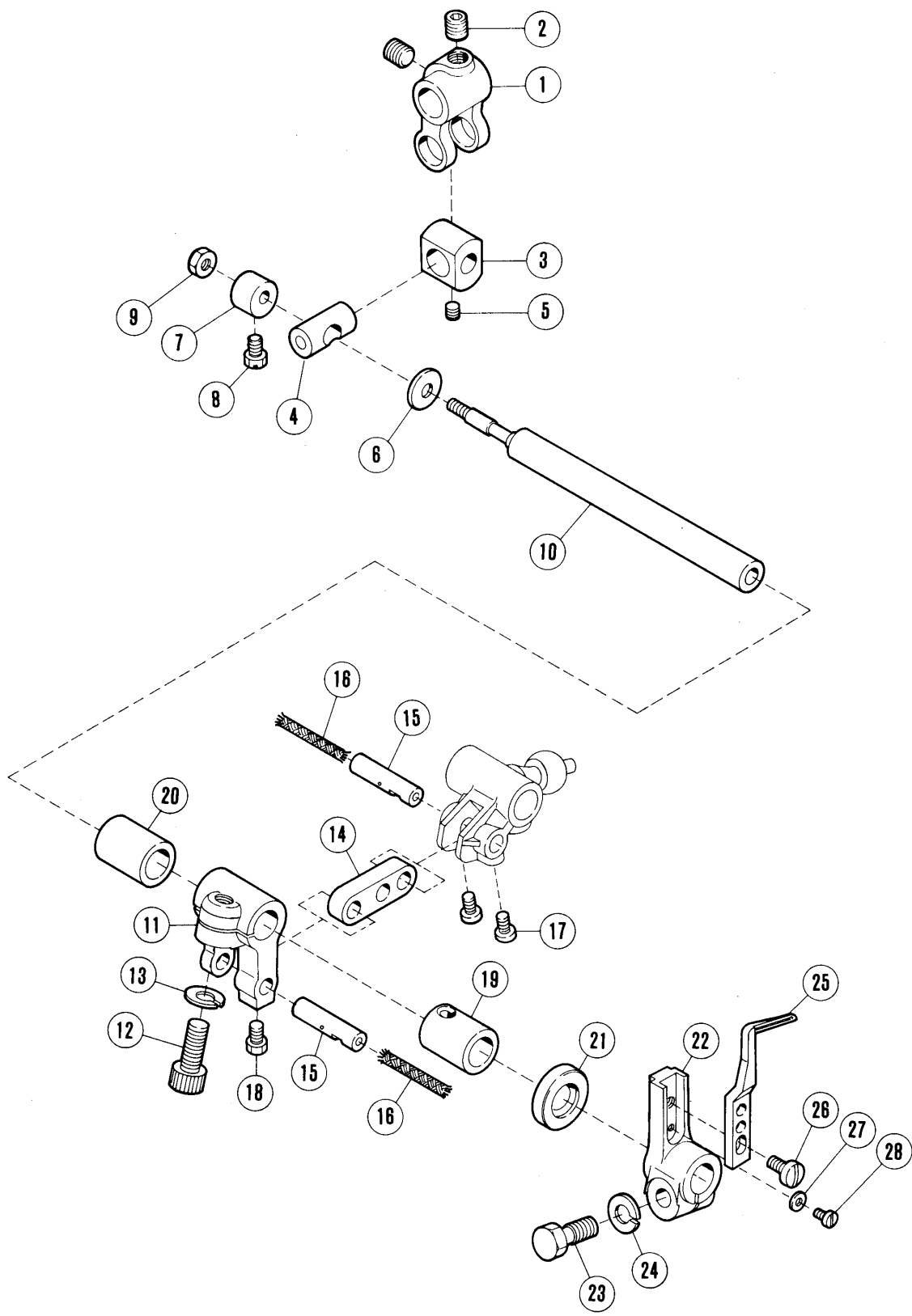


③1 Up to machine number #5584300.  
After this, ③0 is used.

# LOWER LOOPER DRIVE MECHANISM

PLEASE NOTE : 「×××××」 is one of the gauge parts.  
So please refer to pages 74~132 and confirm the correct parts.

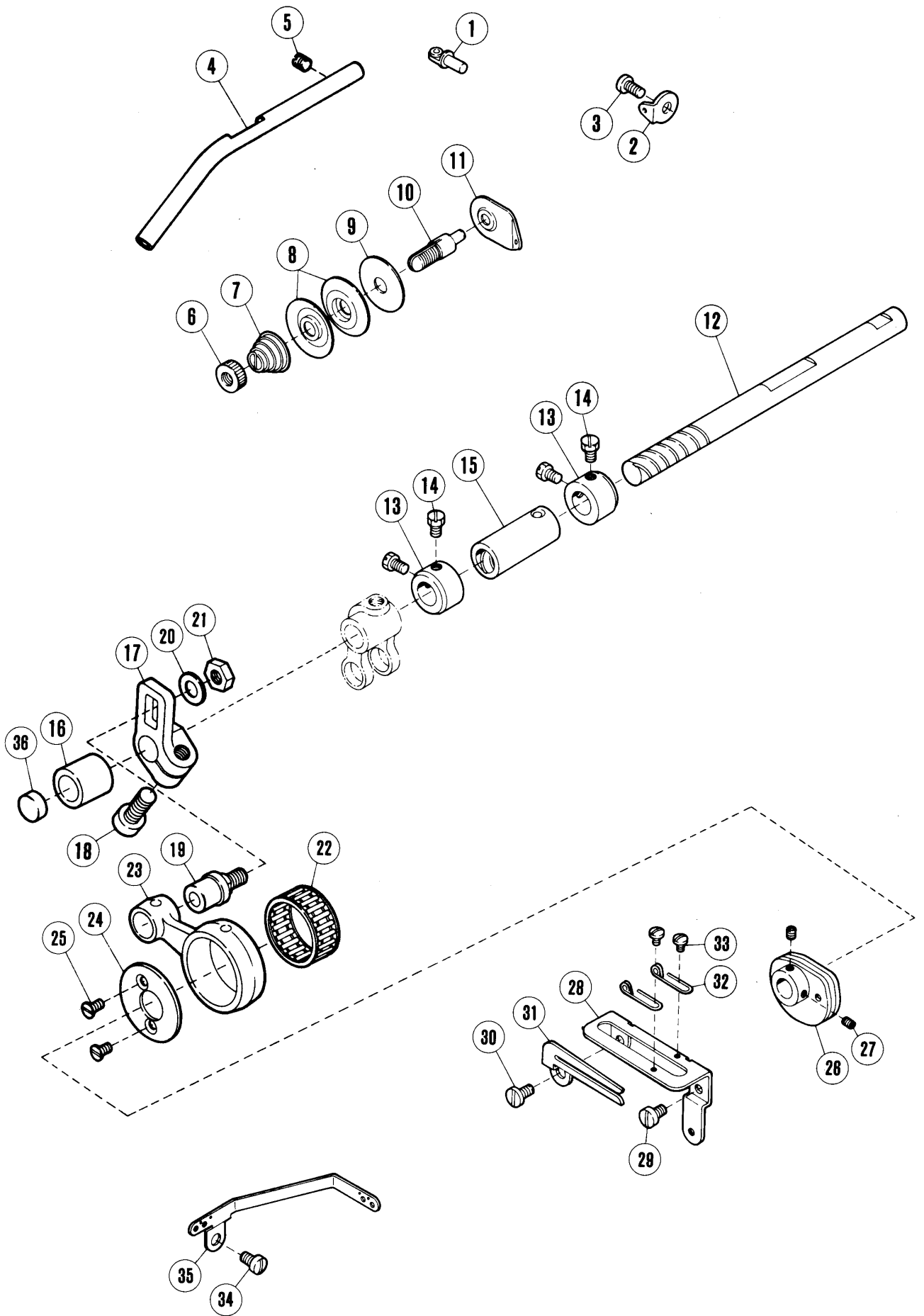
| REF. NO. | PART NO. | NAME                       | QT. | MEMO |
|----------|----------|----------------------------|-----|------|
| 1        | 201048A  | THREAD EYELET              | 1   |      |
| 2        | 201072A  | PIPE                       | 1   |      |
| 3        | 210530   | THREAD TENSION COMPLETE    | 1   |      |
| 4        | 208447   | POST NUT                   | 1   |      |
| 5        | 208448   | SPRING BUSHING             | 1   |      |
| 6        | 201086   | SPRING (MEDIUM)            | 1   |      |
| 7        | 208450   | CUP                        | 1   |      |
| 8        | 210319   | TENSION DISC               | 2   |      |
| 9        | 208449   | FELT                       | 1   |      |
| 10       | 5082A    | SCREW STUD                 | 1   |      |
| 11       | 202849   | TENSION GUIDE              | 1   |      |
| 12       | 201074A  | GUIDE                      | 1   |      |
| 13       | 5546     | SCREW                      | 1   |      |
| 14       | 202286   | SPRING WASHER              | 1   |      |
| 15       | 210281   | SHAFT/LOWER LOOPER         | 1   |      |
| 16       | 210124   | BUSHING                    | 1   |      |
| 17       | 210125   | BUSHING                    | 1   |      |
| 18       | 210586   | OIL SEAL                   | 1   |      |
| 19       | 240102   | WASHER                     | 1   |      |
| 20       | 204107   | WASHER                     | 1   |      |
| 21       | 202286   | SPRING WASHER              | 1   |      |
| 22       | 2193     | SCREW                      | 1   |      |
| 23       | 204664   | LOWER LOOPER HOLDER        | 1   |      |
| 24       | 209007   | LOWER LOOPER LEVER         | 1   |      |
| 25       | 5284     | SCREW                      | 1   |      |
| 26       | 204293   | SPRING WASHER              | 1   |      |
| 27       | XXXXXX   | LOWER LOOPER               | 1   |      |
| 28       | 210353   | THREAD GUIDE               | 1   |      |
| 29       | 1175-3   | SCREW                      | 1   |      |
| 30       | 204901   | THREAD TAKEUP              | 1   |      |
| 31       | 208981   | THREAD TAKEUP/LOWER LOOPER | 1   |      |
| 32       | 2902     | SCREW                      | 1   |      |



## CHAINSTITCH LOOPER DRIVE MECHANISM (1)

PLEASE NOTE : 「×××××」 is one of the gauge parts.  
So please refer to pages 74~132 and  
confirm the correct parts.

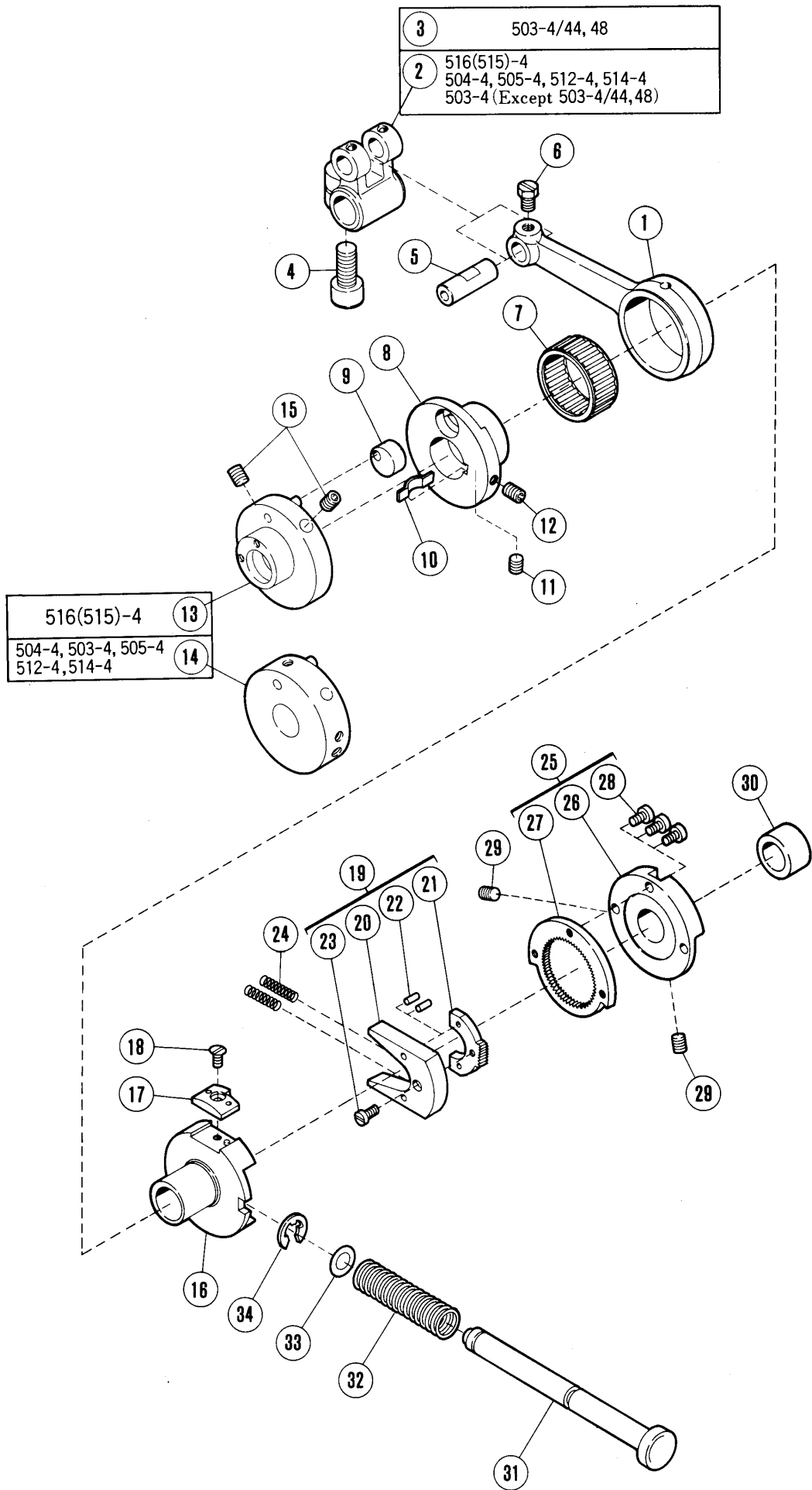
| REF.<br>NO. | PART NO. | NAME                 | QT. | MEMO |
|-------------|----------|----------------------|-----|------|
| 1           | 208025   | LINK/LOOPER AVOIDING | 1   |      |
| 2           | 5385     | SCREW                | 2   |      |
| 3           | 208027   | BLOCK                | 1   |      |
| 4           | 208026   | PIN                  | 1   |      |
| 5           | 5292     | SCREW                | 1   |      |
| 6           | 208028   | WASHER               | 1   |      |
| 7           | 208029   | COLLAR               | 1   |      |
| 8           | 5084     | SCREW                | 1   |      |
| 9           | 4802     | NUT                  | 1   |      |
| 10          | 208196   | SHAFT/LOOPER DRIVE   | 1   |      |
| 11          | 210294   | CRANK/LOOPER DRIVE   | 1   |      |
| 12          | 5457     | SCREW                | 1   |      |
| 13          | 204293   | SPRING WASHER        | 1   |      |
| 14          | 208194   | LINK/LOOPER DRIVE    | 1   |      |
| 15          | 208195   | PIN                  | 2   |      |
| 16          | 202176   | OIL WICK             | 2   |      |
| 17          | 5328     | SCREW                | 2   |      |
| 18          | 5084     | SCREW                | 1   |      |
| 19          | 210296   | BUSHING              | 1   |      |
| 20          | 210297   | BUSHING              | 1   |      |
| 21          | 210586   | OIL SEAL             | 1   |      |
| 22          | 204093   | LEVER                | 1   |      |
| 23          | 5284     | SCREW                | 1   |      |
| 24          | 204293   | SPRING WASHER        | 1   |      |
| 25          | XXXXXX   | LOOPER               | 1   |      |
| 26          | 1189     | SCREW                | 1   |      |
| 27          | 204172   | WASHER               | 1   |      |
| 28          | 2922     | SCREW                | 1   |      |





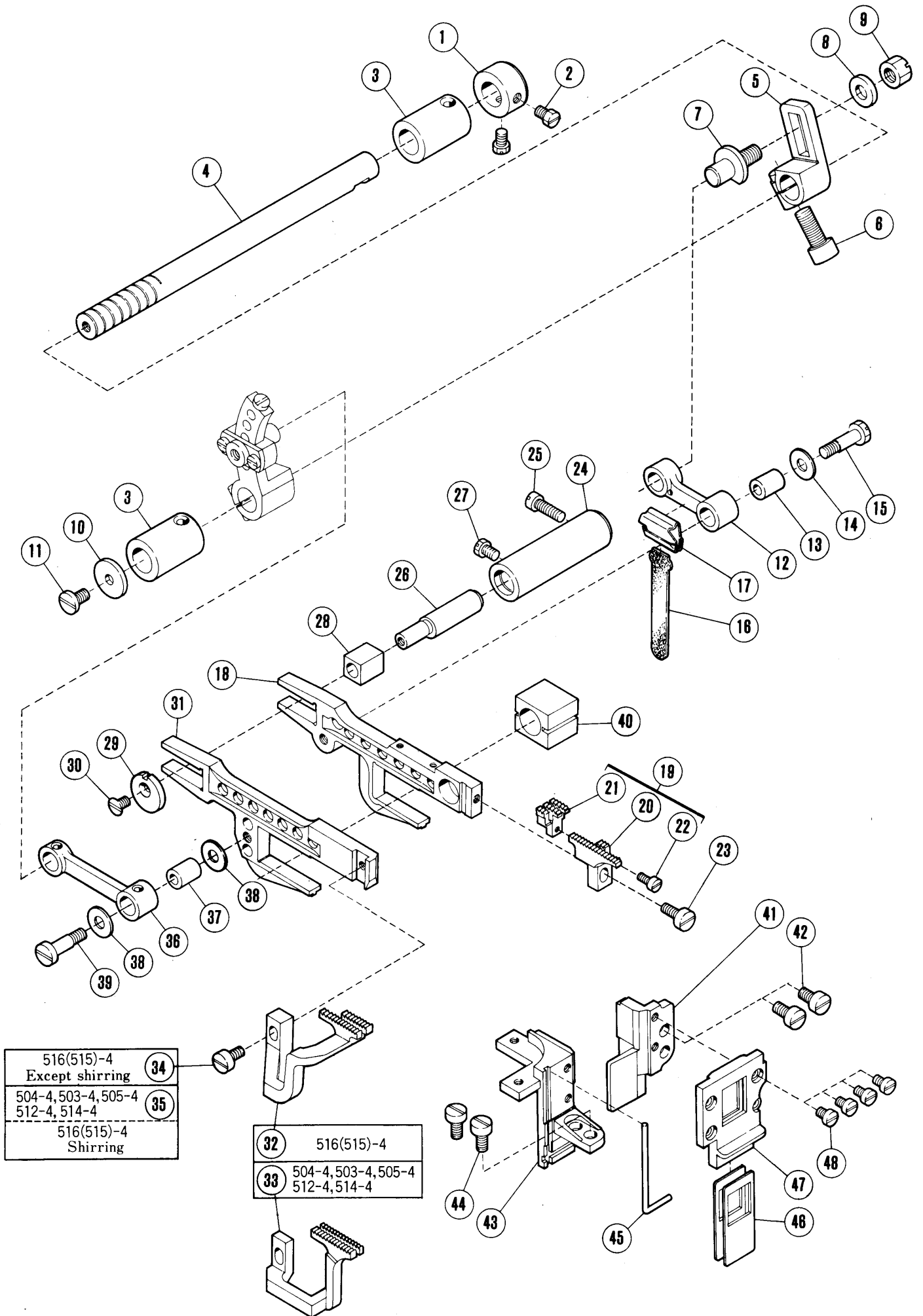
# CHAINSTITCH LOOPER DRIVE MECHANISM (2)

| REF. NO. | PART NO. | NAME                       | QT. | MEMO |
|----------|----------|----------------------------|-----|------|
| 1        | 201048A  | THREAD EYELET              | 1   |      |
| 2        | 167079   | THREAD EYELET              | 1   |      |
| 3        | 5091     | SCREW                      | 1   |      |
| 4        | 204099   | PIPE                       | 1   |      |
| 5        | 1457     | SCREW                      | 1   |      |
| 6        | 3056     | NUT                        | 1   |      |
| 7        | 167077   | SPRING                     | 1   |      |
| 8        | 210319   | TENSION DISC               | 2   |      |
| 9        | 208449   | FELT                       | 1   |      |
| 10       | 167072   | TENSION POST               | 1   |      |
| 11       | 202849   | TENSION GUIDE              | 1   |      |
| 12       | 204874   | SHAFT/LOOPER AVOIDING      | 1   |      |
| 13       | 201056   | COLLAR                     | 2   |      |
| 14       | 5084     | SCREW                      | 4   |      |
| 15       | 204089   | BUSHING                    | 1   |      |
| 16       | 210292   | BUSHING                    | 1   |      |
| 17       | 210287   | CRANK/LOOPER AVOIDING      | 1   |      |
| 18       | 5457     | SCREW                      | 1   |      |
| 19       | 210285   | PIN                        | 1   |      |
| 20       | 208286   | WASHER                     | 1   |      |
| 21       | 5455     | NUT                        | 1   |      |
| 22       | 205015   | NEEDLE BEARING             | 1   |      |
| 23       | 210284   | CONNECTION/LOOPER AVOIDING | 1   |      |
| 24       | 210283   | COLLAR                     | 1   |      |
| 25       | 5259     | SCREW                      | 2   |      |
| 26       | 204095A  | THREAD TAKEUP              | 1   |      |
| 27       | 5292     | SCREW                      | 2   |      |
| 28       | 204097A  | BRACKET                    | 1   |      |
| 29       | 5113     | SCREW                      | 1   |      |
| 30       | 4009-1   | SCREW                      | 1   |      |
| 31       | 204096   | THREAD TAKEUP              | 1   |      |
| 32       | 204324   | THREAD EYELET              | 2   |      |
| 33       | 5077     | SCREW                      | 2   |      |
| 34       | 5113     | SCREW                      | 1   |      |
| 35       | 208362   | THREAD GUIDE               | 1   |      |
| 36       | 205088   | PLUG                       | 1   |      |



# FEED MECHANISM (1)

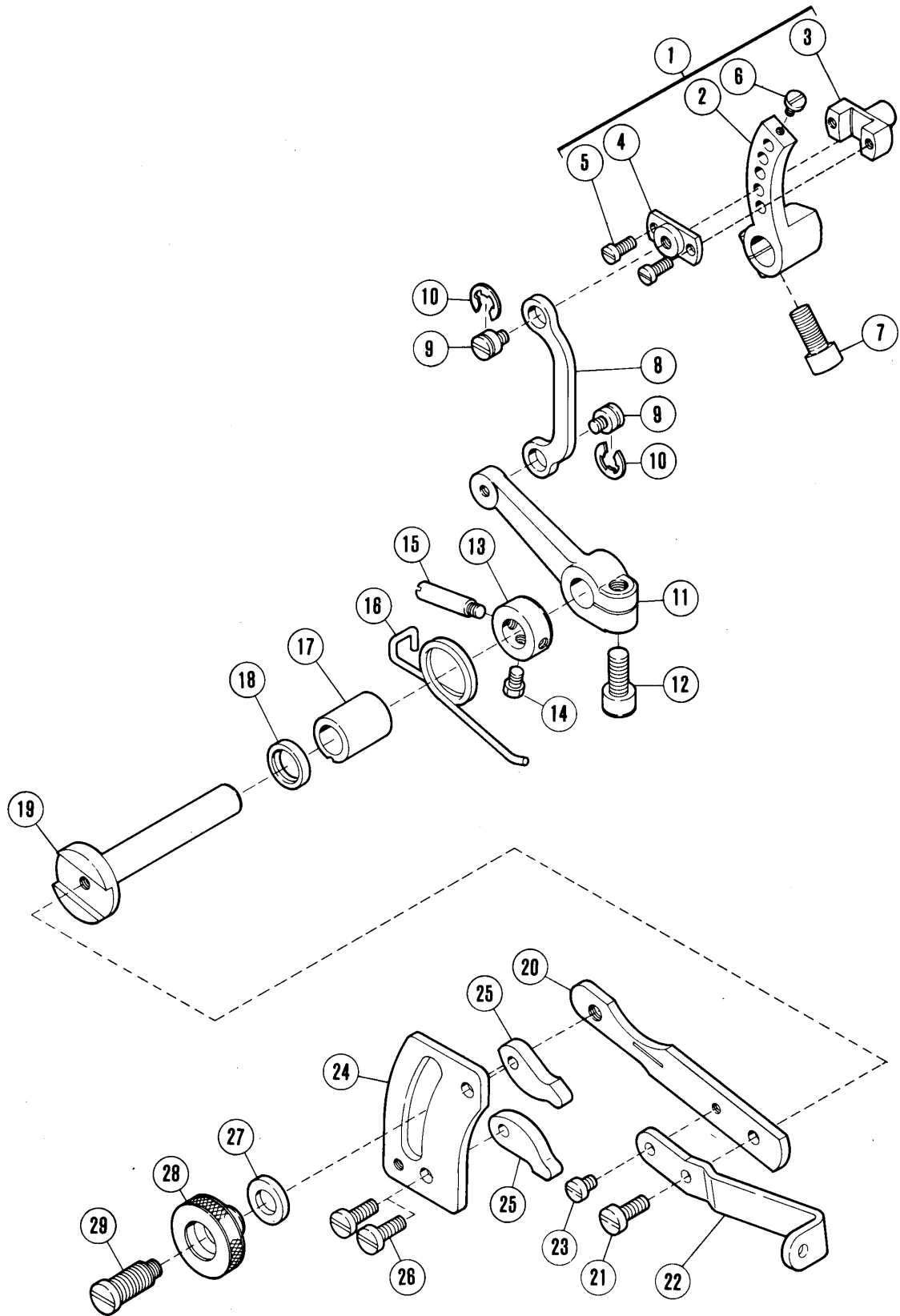
| REF.<br>NO. | PART NO. | NAME                      | QT. | MEMO |
|-------------|----------|---------------------------|-----|------|
| 1           | 204100   | CONNECTION                | 1   |      |
| 2           | 204085   | CRANK/FEED DRIVE          | 1   |      |
| 3           | 208333   | CRANK/FEED DRIVE          | 1   |      |
| 4           | 5381     | SCREW                     | 1   |      |
| 5           | 205495   | PIN                       | 1   |      |
| 6           | 5084     | SCREW                     | 1   |      |
| 7           | 204084   | NEEDLE BEARING            | 1   |      |
| 8           | 210127   | ECCENTRIC/FEED DRIVE      | 1   |      |
| 9           | 210129   | GUIDE/FEED ECCENTRIC      | 1   |      |
| 10          | 210130   | FLAT SPRING               | 1   |      |
| 11          | 5292     | SCREW                     | 1   |      |
| 12          | 5427     | SCREW                     | 1   |      |
| 13          | 210282A  | ECCENTRIC/LOOPER AVOIDING | 1   |      |
| 14          | 210128A  | FEED ECCENTRIC RETAINER   | 1   |      |
| 15          | 5461     | SCREW                     | 2   |      |
| 16          | 211802A  | ECCENTRIC/FEED REGULATING | 1   |      |
| 17          | 211804   | STOPPER                   | 1   |      |
| 18          | 5437     | SCREW                     | 1   |      |
| 19          | 208411   | FEED REGULATING RATCHET   | 1   |      |
| 20          | 208413   | BRACKET                   | 1   |      |
| 21          | 208412   | RATCHET                   | 1   |      |
| 22          | 206781   | PIN                       | 2   |      |
| 23          | 5336     | SCREW                     | 1   |      |
| 24          | 208415   | SPRING                    | 2   |      |
| 25          | 210136   | RATCHET WHEEL COMPLETE    | 1   |      |
| 26          | 211807   | BRACKET                   | 1   |      |
| 27          | 211806   | WHEEL                     | 1   |      |
| 28          | 5157     | SCREW                     | 3   |      |
| 29          | 5461     | SCREW                     | 2   |      |
| 30          | 208944   | SPACER                    | 1   |      |
| 31          | 209304   | PUSH BUTTON               | 1   |      |
| 32          | 208421   | SPRING                    | 1   |      |
| 33          | 208949   | O RING                    | 1   |      |
| 34          | 202522   | RING                      | 1   |      |



**FEED MECHANISM (2)**

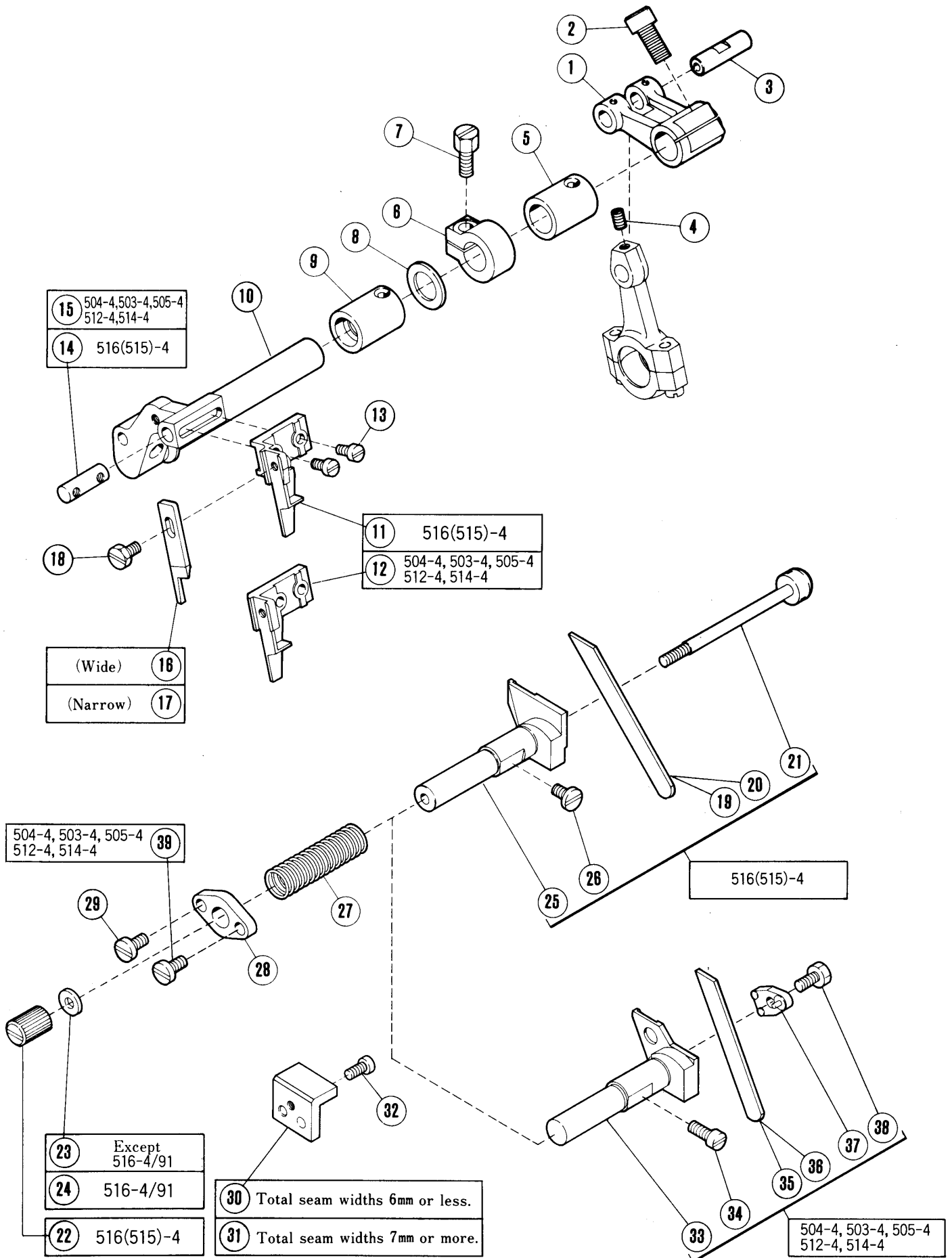
PLEASE NOTE : 「××××××」 is one of the gauge parts.  
So please refer to pages 74~132 and confirm the correct parts.

| REF. NO. | PART NO. | NAME                      | QT. | MEMO |
|----------|----------|---------------------------|-----|------|
| 1        | 201056   | COLLAR                    | 1   |      |
| 2        | 5084     | SCREW                     | 2   |      |
| 3        | 209169   | BUSHING                   | 2   |      |
| 4        | 204751   | SHAFT                     | 1   |      |
| 5        | 208284   | CRANK/MAIN FEED           | 1   |      |
| 6        | 5381     | SCREW                     | 1   |      |
| 7        | 208285   | SCREW                     | 1   |      |
| 8        | 208286   | WASHER                    | 1   |      |
| 9        | 5455     | NUT                       | 1   |      |
| 10       | 204107   | WASHER                    | 1   |      |
| 11       | 4009-1   | SCREW                     | 1   |      |
| 12       | 204111A  | LINK/MAIN FEED            | 1   |      |
| 13       | 204114   | BUSHING                   | 1   |      |
| 14       | 204115   | WASHER                    | 1   |      |
| 15       | 5231     | SCREW                     | 1   |      |
| 16       | 204618   | OIL WICK                  | 1   |      |
| 17       | 204588   | RETAINER                  | 1   |      |
| 18       | 204123A  | MAIN FEED BAR             | 1   |      |
| 19       | XXXXXX   | MAIN FEED DOG COMPLETE    | 1   |      |
| 20       | XXXXXX   | MAIN FEED DOG             | 1   |      |
| 21       | XXXXXX   | AUXILIARY FEED DOG        | 1   |      |
| 22       | 2922     | SCREW                     | 1   |      |
| 23       | 1175-2   | SCREW                     | 1   |      |
| 24       | 204129A  | BUSHING                   | 1   |      |
| 25       | 2133-1   | SCREW                     | 1   |      |
| 26       | 204128A  | PIN                       | 1   |      |
| 27       | 5084     | SCREW                     | 1   |      |
| 28       | 205857   | BLOCK/FEED BAR GUIDE      | 1   |      |
| 29       | 204439A  | WASHER                    | 1   |      |
| 30       | 5317     | SCREW                     | 1   |      |
| 31       | 204124   | DIFFERENTIAL FEED BAR     | 1   |      |
| 32       | XXXXXX   | DIFFERENTIAL FEED DOG     | 1   |      |
| 33       | XXXXXX   | DIFFERENTIAL FEED DOG     | 1   |      |
| 34       | 1175-3   | SCREW                     | 1   |      |
| 35       | 1189     | SCREW                     | 1   |      |
| 36       | 204122   | LINK/DIFFERENTIAL FEED    | 1   |      |
| 37       | 204114   | BUSHING                   | 1   |      |
| 38       | 204115   | WASHER                    | 2   |      |
| 39       | 5231     | SCREW                     | 1   |      |
| 40       | 204810   | BLOCK/FEED BAR LIFT       | 1   |      |
| 41       | 208108   | GUIDE (RIGHT)/FEED BAR    | 1   |      |
| 42       | 5205     | SCREW                     | 2   |      |
| 43       | 208952   | GUIDE (LEFT)/FEED BAR     | 1   |      |
| 44       | 5205     | SCREW                     | 2   |      |
| 45       | 208168   | GASKET                    | 1   |      |
| 46       | 208109   | OIL SHIELD/FEED BAR GUIDE | 2   |      |
| 47       | 208625   | INSERT PLATE              | 1   |      |
| 48       | 5346     | SCREW                     | 4   |      |



# FEED MECHANISM (3)

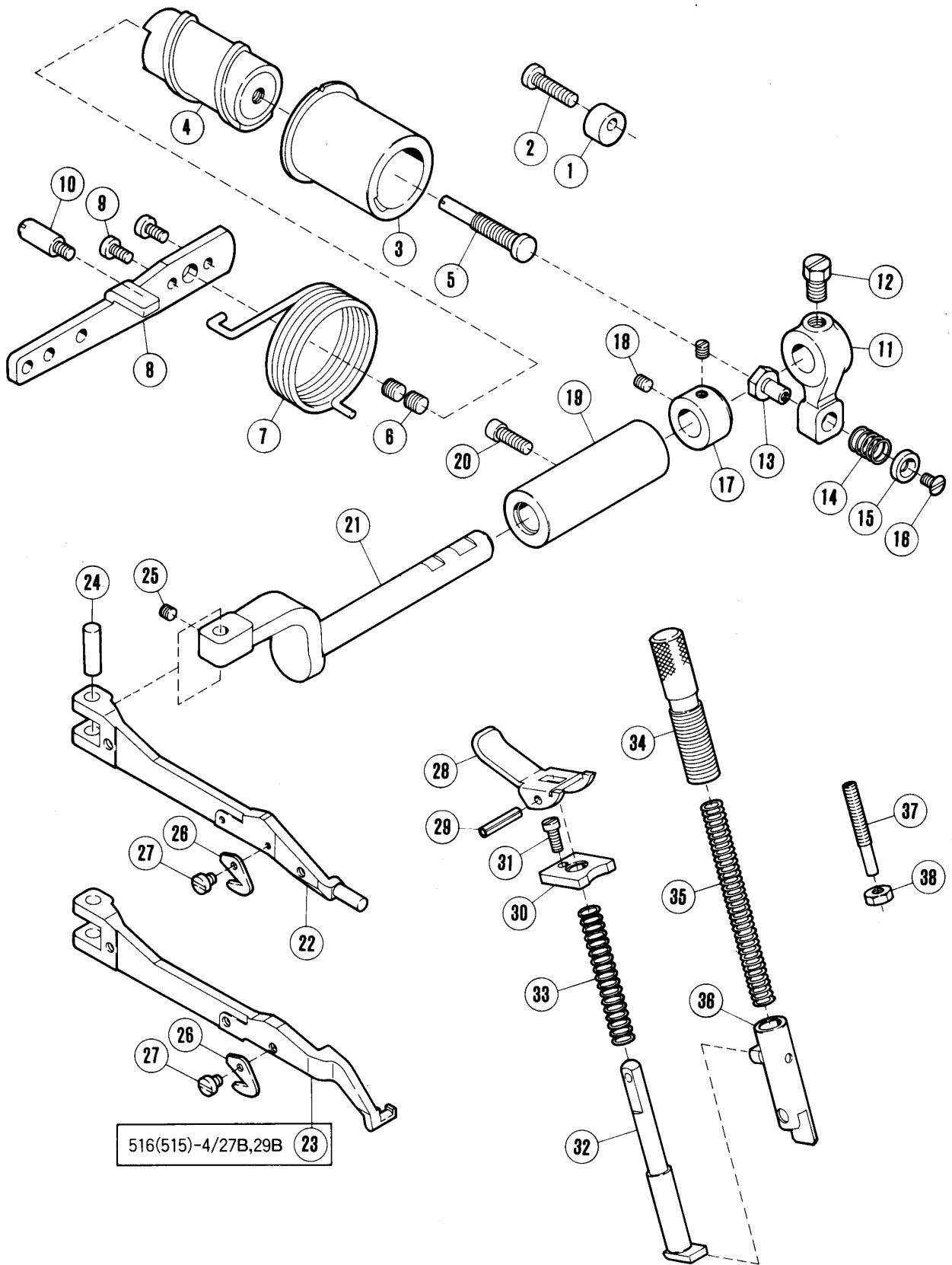
| REF.<br>NO. | PART NO. | NAME                          | QT. | MEMO |
|-------------|----------|-------------------------------|-----|------|
| 1           | 208273   | REGULATOR COMPLETE/DIFF. FEED | 1   |      |
| 2           | 208274   | CRANK                         | 1   |      |
| 3           | 208275   | BLOCK                         | 1   |      |
| 4           | 208276   | COVER                         | 1   |      |
| 5           | 5029     | SCREW                         | 2   |      |
| 6           | 5141     | SCREW                         | 1   |      |
| 7           | 5381     | SCREW                         | 1   |      |
| 8           | 204140A  | LINK/DIFF. FEED REGULATING    | 1   |      |
| 9           | 5316     | SCREW                         | 2   |      |
| 10          | 202522   | RING                          | 2   |      |
| 11          | 204139A  | LEVER/DIFF. FEED REGULATING   | 1   |      |
| 12          | 5381     | SCREW                         | 1   |      |
| 13          | 204754A  | COLLAR                        | 1   |      |
| 14          | 5084     | SCREW                         | 1   |      |
| 15          | 204757   | PIN                           | 1   |      |
| 16          | 204756   | SPRING                        | 1   |      |
| 17          | 210164   | BUSHING                       | 1   |      |
| 18          | 204052A  | OIL SEAL                      | 1   |      |
| 19          | 204752   | SHAFT                         | 1   |      |
| 20          | 204755   | LEVER/DIFF. FEED REGULATING   | 1   |      |
| 21          | 5118     | SCREW                         | 1   |      |
| 22          | 204883   | LEVER                         | 1   |      |
| 23          | 1216     | SCREW                         | 1   |      |
| 24          | 204142B  | REGULATING PLATE              | 1   |      |
| 25          | 204143A  | STOPPER                       | 2   |      |
| 26          | 5118     | SCREW                         | 2   |      |
| 27          | 202868   | WASHER                        | 1   |      |
| 28          | 204870   | THUMB NUT                     | 1   |      |
| 29          | 5321A    | SCREW                         | 1   |      |





# KNIFE DRIVE MECHANISM

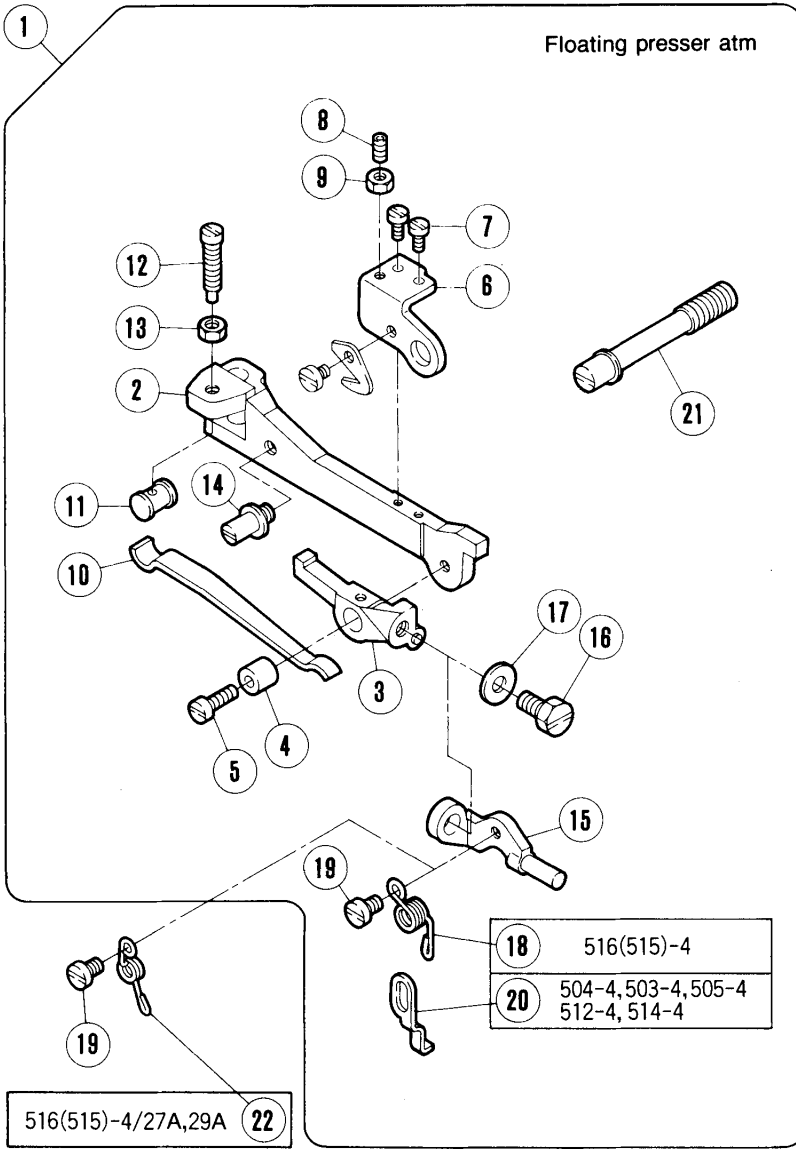
| REF.<br>NO. | PART NO. | NAME                     | QT. | MEMO |
|-------------|----------|--------------------------|-----|------|
| 1           | 204147   | CRANK/UPPER KNIFE        | 1   |      |
| 2           | 5381     | SCREW                    | 1   |      |
| 3           | 204146   | PIN                      | 1   |      |
| 4           | 1458     | SCREW                    | 1   |      |
| 5           | 210067   | BUSHING                  | 1   |      |
| 6           | 206181B  | COLLAR                   | 1   |      |
| 7           | 5001     | SCREW                    | 1   |      |
| 8           | 208235   | WASHER                   | 1   |      |
| 9           | 204149   | BUSHING                  | 1   |      |
| 10          | 208693   | UPPER KNIFE LEVER        | 1   |      |
| 11          | 208402   | UPPER KNIFE CLAMP        | 1   |      |
| 12          | 204638   | UPPER KNIFE CLAMP        | 1   |      |
| 13          | 1175-2   | SCREW                    | 2   |      |
| 14          | 204154   | PIN                      | 1   |      |
| 15          | 204796   | PIN                      | 1   |      |
| 16          | 201121A  | UPPER KNIFE              | 1   |      |
| 17          | 202527A  | UPPER KNIFE (NARROW)     | 1   |      |
| 18          | 5088     | SCREW                    | 1   |      |
| 19          | 204161   | LOWER KNIFE              | 1   |      |
| 20          | 204351   | LOWER KNIFE              | 1   |      |
| 21          | 204162   | CLAMP STUD/LOWER KNIFE   | 1   |      |
| 22          | 5260     | NUT                      | 1   |      |
| 23          | 200098   | WASHER                   | 1   |      |
| 24          | 209173   | WASHER                   | 1   |      |
| 25          | 208404   | LOWER KNIFE HOLDER       | 1   |      |
| 26          | 4009-1   | SCREW                    | 1   |      |
| 27          | 204158   | SPRING                   | 1   |      |
| 28          | 204159   | STOPPER                  | 1   |      |
| 29          | 5117     | SCREW                    | 1   |      |
| 30          | 204160A  | GUIDE/LOWER BAR          | 1   |      |
| 31          | 208096   | GUIDE/LOWER KNIFE HOLDER | 1   |      |
| 32          | 1175-2   | SCREW                    | 1   |      |
| 33          | 208851   | LOWER KNIFE HOLDER       | 1   |      |
| 34          | 5002     | SCREW                    | 1   |      |
| 35          | 202295   | LOWER KNIFE/THICK        | 1   |      |
| 36          | 201127   | LOWER KNIFE/THIN         | 1   |      |
| 37          | 210184   | CLAMP/LOWER KNIFE        | 1   |      |
| 38          | 2193     | SCREW                    | 1   |      |
| 39          | 5117     | SCREW                    | 1   |      |



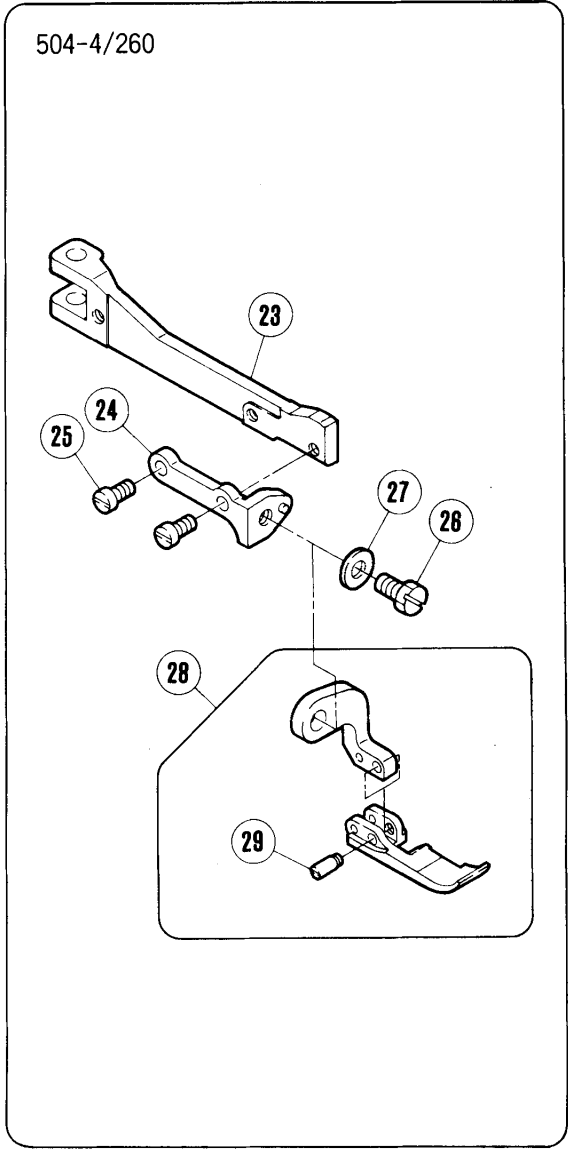
# PRESSER FOOT MECHANISM (1)

| REF.<br>NO. | PART NO. | NAME                 | QT. | MEMO |
|-------------|----------|----------------------|-----|------|
| 1           | 202683   | STOPPER              | 1   |      |
| 2           | 5118     | SCREW                | 1   |      |
| 3           | 204930   | BUSHING              | 1   |      |
| 4           | 204929   | FOOT LIFT CAM        | 1   |      |
| 5           | 208316   | SCREW                | 1   |      |
| 6           | 2913-2   | SCREW                | 2   |      |
| 7           | 204178   | SPRING               | 1   |      |
| 8           | 204177B  | LEVER/FOOT LIFT      | 1   |      |
| 9           | 1202     | SCREW                | 2   |      |
| 10          | 5232     | SCREW                | 1   |      |
| 11          | 208313   | LEVER/INTERMEDIATE   | 1   |      |
| 12          | 2022-4   | SCREW                | 1   |      |
| 13          | 208314   | PIN                  | 1   |      |
| 14          | 208315   | SPRING               | 1   |      |
| 15          | 202757A  | WASHER               | 1   |      |
| 16          | 5317     | SCREW                | 1   |      |
| 17          | 201056   | COLLAR               | 1   |      |
| 18          | 1457     | SCREW                | 2   |      |
| 19          | 208535   | BUSHING              | 1   |      |
| 20          | 2133-1   | SCREW                | 1   |      |
| 21          | 208534   | SHAFT/FOOT LIFT      | 1   |      |
| 22          | 208526   | PRESSER ARM          | 1   |      |
| 23          | 209337   | PRESSER ARM          | 1   |      |
| 24          | 208549   | PIN                  | 1   |      |
| 25          | 1457-1   | SCREW                | 1   |      |
| 26          | 202451   | CHAIN CUTTER         | 1   |      |
| 27          | 2921     | SCREW                | 1   |      |
| 28          | 208598   | LEVER/HAND LIFT      | 1   |      |
| 29          | 202647A  | PIN                  | 1   |      |
| 30          | 208599   | BUSHING              | 1   |      |
| 31          | 5029     | SCREW                | 1   |      |
| 32          | 202645   | PLUNGER              | 1   |      |
| 33          | 201395   | SPRING               | 1   |      |
| 34          | 208774   | THUMB SCREW          | 1   |      |
| 35          | 208773   | SPRING               | 1   |      |
| 36          | 208537   | PRESSER BAR COMPLETE | 1   |      |
| 37          | 5271     | SCREW                | 1   |      |
| 38          | 3044     | NUT                  | 1   |      |

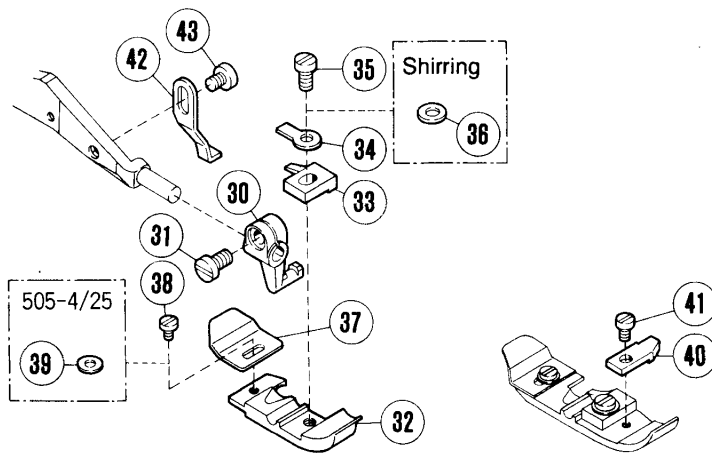
Floating presser atm



504-4/260



504-4, 503-4, 505-4  
512-4, 514-4

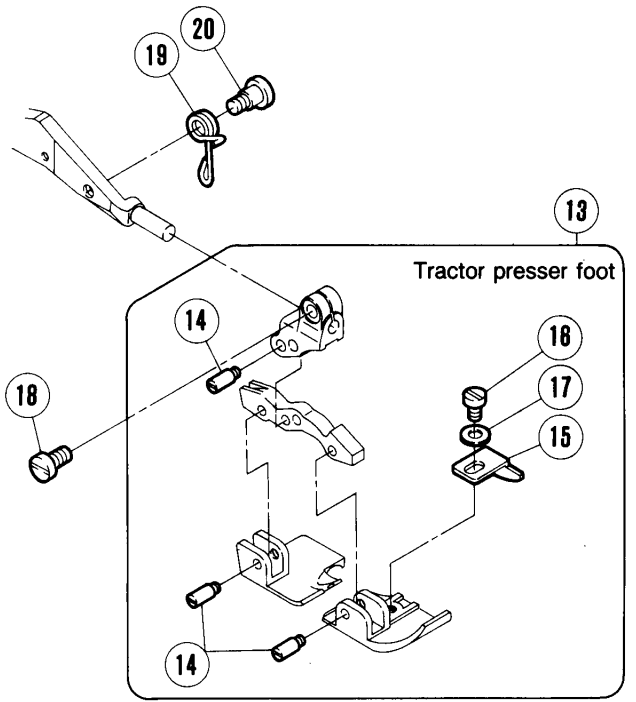
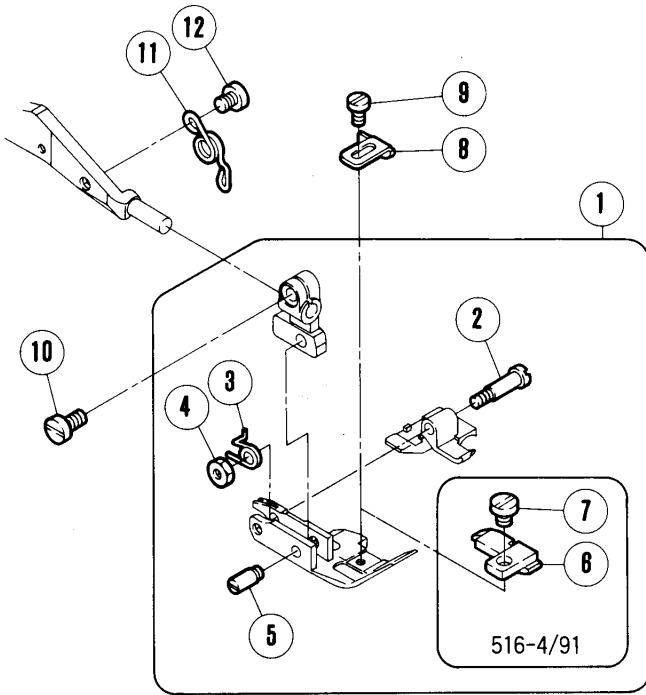


**PRESSER FOOT MECHANISM (2)**

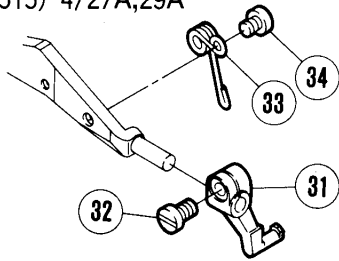
PLEASE NOTE : 「×××××」 is one of the gauge parts.  
So please refer to pages 74~132 and confirm the correct parts.

| REF. NO. | PART NO. | NAME                   | QT. | MEMO |
|----------|----------|------------------------|-----|------|
| 1        | 209307   | PRESSER ARM COMPLETE   | 1   |      |
| 2        | 209308   | PRESSER ARM            | 1   |      |
| 3        | 209309   | LEVER                  | 1   |      |
| 4        | 211511   | BUSHING                | 1   |      |
| 5        | 5003     | SCREW                  | 1   |      |
| 6        | 209311   | LEVER HOLDER           | 1   |      |
| 7        | 2922     | SCREW                  | 2   |      |
| 8        | 5427     | SCREW                  | 1   |      |
| 9        | 5409     | NUT                    | 1   |      |
| 10       | 211514   | FLAT SPRING            | 1   |      |
| 11       | 209312   | SPRING GUIDE           | 1   |      |
| 12       | 5538     | SCREW                  | 1   |      |
| 13       | 3091     | NUT                    | 1   |      |
| 14       | 209313   | SCREW                  | 1   |      |
| 15       | 211516   | BRACKET                | 1   |      |
| 16       | 2193     | SCREW                  | 1   |      |
| 17       | 201185   | WASHER                 | 1   |      |
| 18       | 211517   | SPRING                 | 1   |      |
| 19       | 2921     | SCREW                  | 1   |      |
| 20       | 209314   | STOPPER/PRESSER FOOT   | 1   |      |
| 21       | 5552     | SCREW                  | 1   |      |
| 22       | 211944   | SPRING                 | 1   |      |
| 23       | 209232   | PRESSER ARM            | 1   |      |
| 24       | 209230   | BRACKET                | 1   |      |
| 25       | 1196     | SCREW                  | 2   |      |
| 26       | 2193     | SCREW                  | 1   |      |
| 27       | 201185   | WASHER                 | 1   |      |
| 28       | 209226   | PRESSER FOOT COMPLETE  | 1   |      |
| 29       | 209229-B | SCREW                  | 1   |      |
| 30       | 208525-B | BRACKET/PRESSER FOOT   | 1   |      |
| 31       | 5328     | SCREW                  | 1   |      |
| 32       | XXXXXX   | PRESSER FOOT           | 1   |      |
| 33       | XXXXXX   | PRESSER FOOT FINGER    | 1   |      |
| 34       | 201156   | SET PLATE/PRESSER FOOT | 1   |      |
| 35       | 5089     | SCREW                  | 1   |      |
| 36       | 202588   | WASHER                 | 1   |      |
| 37       | XXXXXX   | PRESSER FOOT UNCURLER  | 1   |      |
| 38       | 5030     | SCREW                  | 1   |      |
| 39       | 210585   | WASHER                 | 1   |      |
| 40       | XXXXXX   | FABRIC GUARD           | 1   |      |
| 41       | 1231     | SCREW                  | 1   |      |
| 42       | 208547   | REGULATOR              | 1   |      |
| 43       | 2921     | SCREW                  | 1   |      |

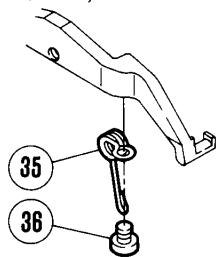
516(515)-4



516(515)-4/27A,29A

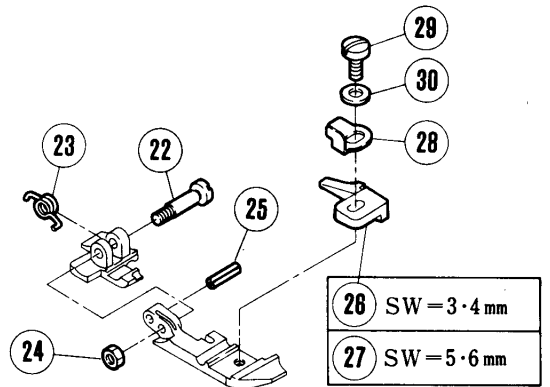


516(515)-4/27B,29B



21

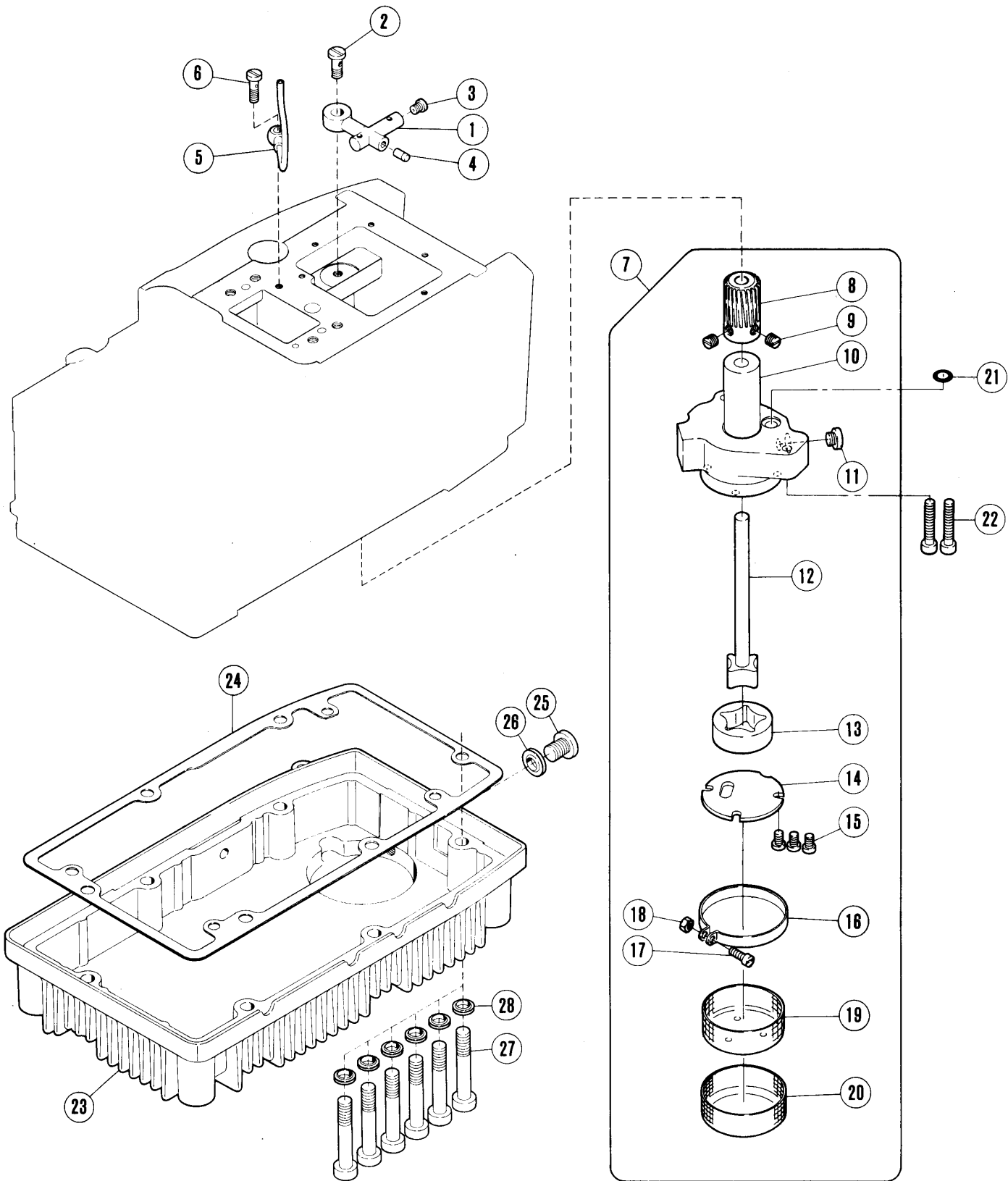
Small foot  
(Good for cornering)



**PRESSER FOOT MECHANISM (3)**

PLEASE NOTE : 「××××××」 is one of the gauge parts.  
So please refer to pages 74~132 and confirm the correct parts.

| REF. NO. | PART NO. | NAME                  | QT. | MEMO |
|----------|----------|-----------------------|-----|------|
| 1        | XXXXXX   | PRESSER FOOT COMPLETE | 1   |      |
| 2        | 208528-B | SCREW                 | 1   |      |
| 3        | 208913   | SPRING                | 1   |      |
| 4        | 5409     | NUT                   | 1   |      |
| 5        | 208958-B | SCREW                 | 1   |      |
| 6        | 208891   | PRESSER FOOT FINGER   | 1   |      |
| 7        | 2921     | SCREW                 | 1   |      |
| 8        | XXXXXX   | FABRIC GUARD          | 1   |      |
| 9        | 5030     | SCREW                 | 1   |      |
| 10       | 5328     | SCREW                 | 1   |      |
| 11       | 208529   | SPRING                | 1   |      |
| 12       | 2921     | SCREW                 | 1   |      |
| 13       | XXXXXX   | PRESSER FOOT COMPLETE | 1   |      |
| 14       | 208958-B | SCREW                 | 3   |      |
| 15       | 204683   | FABRIC GUARD          | 1   |      |
| 16       | 5157     | SCREW                 | 1   |      |
| 17       | 202875   | WASHER                | 1   |      |
| 18       | 5328     | SCREW                 | 1   |      |
| 19       | 208978   | SPRING                | 1   |      |
| 20       | 5291     | SCREW                 | 1   |      |
| 21       | XXXXXX   | PRESSER FOOT COMPLETE | 1   |      |
| 22       | 211919   | PIN                   | 1   |      |
| 23       | 211918   | SPRING                | 1   |      |
| 24       | 3150     | NUT                   | 1   |      |
| 25       | 211920   | PIN                   | 1   |      |
| 26       | 211915   | PRESSER FOOT FINGER   | 1   |      |
| 27       | 211916   | PRESSER FOOT FINGER   | 1   |      |
| 28       | 211917   | BRACKET               | 1   |      |
| 29       | 5089     | SCREW                 | 1   |      |
| 30       | 300248   | WASHER                | 1   |      |
| 31       | 211905   | BRACKET/PRESSER FOOT  | 1   |      |
| 32       | 5328     | SCREW                 | 1   |      |
| 33       | 209338   | SPRING                | 1   |      |
| 34       | 2921     | SCREW                 | 1   |      |
| 35       | 211904   | SPRING                | 1   |      |
| 36       | 2921     | SCREW                 | 1   |      |

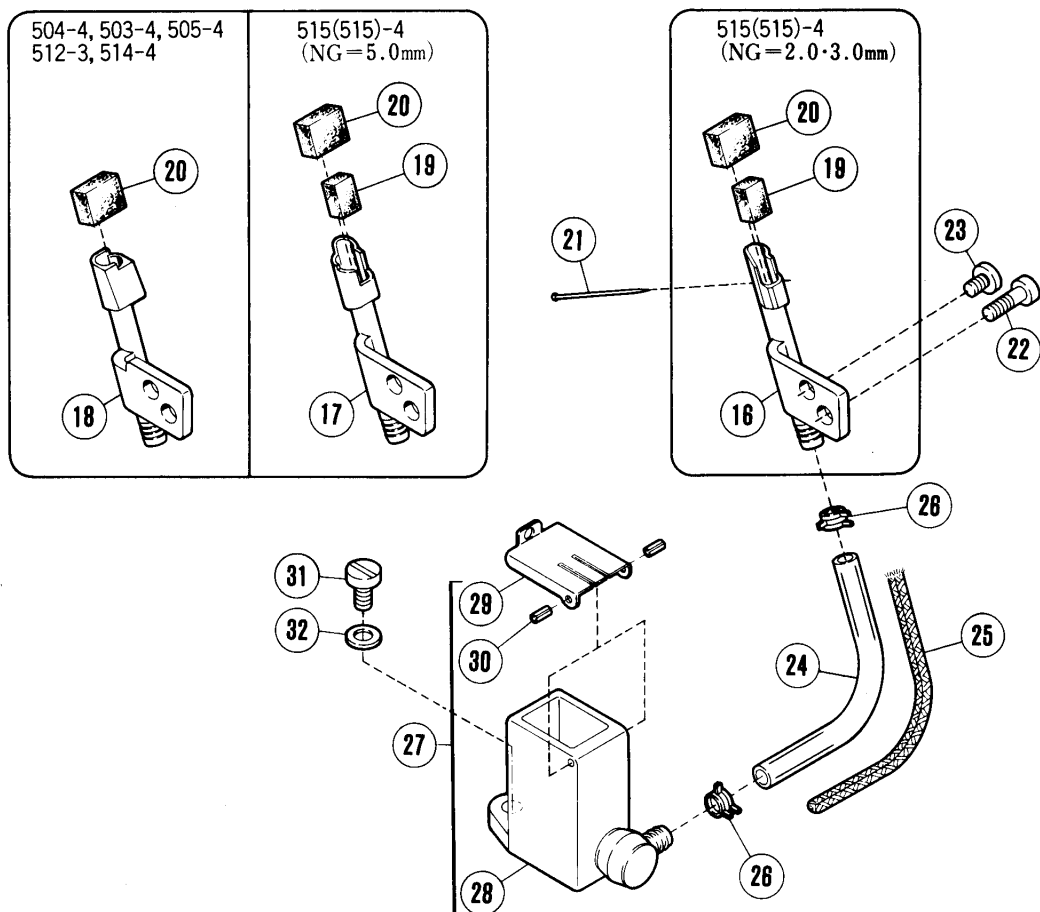
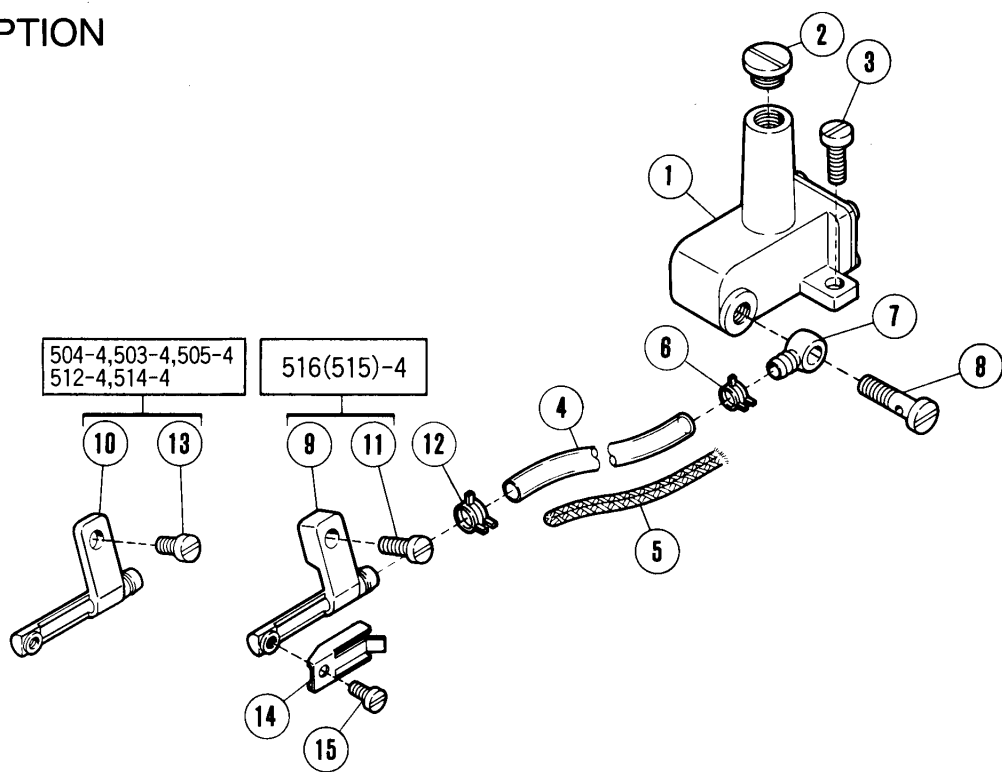




# LUBRICATION MECHANISM

| REF.<br>NO. | PART NO.  | NAME                   | QT. | MEMO |
|-------------|-----------|------------------------|-----|------|
| 1           | 204193    | OIL DISTRIBUTOR        | 1   |      |
| 2           | 200152    | JOINT SCREW            | 1   |      |
| 3           | 201323    | SCREW                  | 1   |      |
| 4           | 202903    | PLUG                   | 1   |      |
| 5           | 204194    | PIPE COMPLETE          | 1   |      |
| 6           | 201758    | JOINT SCREW            | 1   |      |
| 7           | 204593    | TROCHOID PUMP ASSEMBLY | 1   |      |
| 8           | 204187    | WORM WHEEL             | 1   |      |
| 9           | 5060      | SCREW                  | 2   |      |
| 10          | 209407    | TROCHOID PUMP          | 1   |      |
| 11          | 5145      | SCREW                  | 1   |      |
| 12          | 212978-91 | ROTOR (INSIDE) SHAFT   | 1   |      |
| 13          | 212981    | ROTOR (OUTSIDE)        | 1   |      |
| 14          | 212982A   | PLATE                  | 1   |      |
| 15          | 5328      | SCREW                  | 3   |      |
| 16          | 209410    | CLAMP                  | 1   |      |
| 17          | 1170-1    | SCREW                  | 1   |      |
| 18          | 3091      | NUT                    | 1   |      |
| 19          | 209408    | FILTER (INSIDE)        | 1   |      |
| 20          | 209409    | FILTER (OUTSIDE)       | 1   |      |
| 21          | 204185    | O RING                 | 1   |      |
| 22          | 5094      | SCREW                  | 2   |      |
| 23          | 208260    | OIL RESERVOIR          | 1   |      |
| 24          | 208318    | GASKET                 | 1   |      |
| 25          | 5138B     | SCREW                  | 1   |      |
| 26          | 202287A   | WASHER                 | 1   |      |
| 27          | 5150B     | BOLT                   | 6   |      |
| 28          | 204806    | WASHER                 | 6   |      |

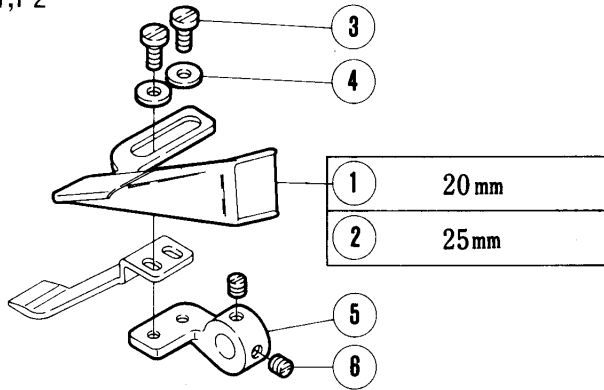
# OPTION



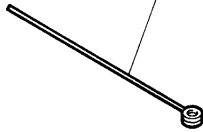
# H. R. DEVICE (OPTION)

| REF. NO. | PART NO.  | NAME                           | QT. | MEMO |
|----------|-----------|--------------------------------|-----|------|
| 1        | 208308    | SILICONE OIL RESERVOIR (UPPER) | 1   |      |
| 2        | 5242      | SCREW                          | 1   |      |
| 3        | 5118      | SCREW                          | 1   |      |
| 4        | 204921    | TUBE                           | 1   |      |
| 5        | 202176    | OIL WICK                       | 1   |      |
| 6        | 200155    | TUBE CLAMP                     | 1   |      |
| 7        | 200136    | JOINT                          | 1   |      |
| 8        | 200152    | JOINT SCREW                    | 1   |      |
| 9        | 208486    | THREAD LUBRICATOR              | 1   |      |
| 10       | 208446    | THREAD LUBRICATOR              | 1   |      |
| 11       | 5345      | SCREW                          | 1   |      |
| 12       | 202199    | CLAMP                          | 1   |      |
| 13       | 4009-1    | SCREW                          | 1   |      |
| 14       | 208487    | PLATE                          | 1   |      |
| 15       | 5012      | SCREW                          | 1   |      |
| 16       | 204259    | TUBE                           | 1   |      |
| 17       | 204435    | TUBE                           | 1   |      |
| 18       | 204651    | TUBE                           | 1   |      |
| 19       | 240178    | OIL FELT                       | 1   |      |
| 20       | 204466    | OIL WICK                       | 1   |      |
| 21       | 210766    | PIN                            | 1   |      |
| 22       | 5010      | SCREW                          | 1   |      |
| 23       | 1206      | SCREW                          | 1   |      |
| 24       | 204921    | TUBE                           | 1   |      |
| 25       | 202176    | OIL WICK                       | 1   |      |
| 26       | 200155    | TUBE CLAMP                     | 2   |      |
| 27       | 209411-91 | SILICONE OIL RESERVOIR (LOWER) | 1   |      |
| 28       | 209412-91 | SILICONE OIL RESERVOIR (LOWER) | 1   |      |
| 29       | 204862    | CAP COVER                      | 1   |      |
| 30       | 206781    | PIN                            | 2   |      |
| 31       | 5345      | SCREW                          | 1   |      |
| 32       | 201185    | WASHER                         | 1   |      |

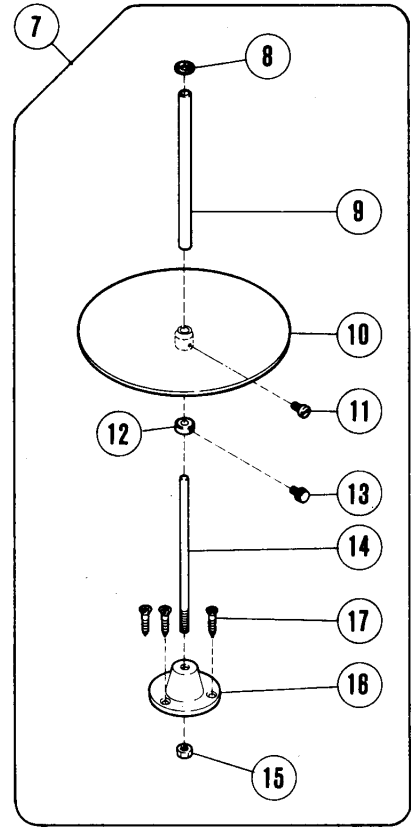
504-4/21P1,P2  
 514-4/62P1,P2  
 516-4/38P1,P2



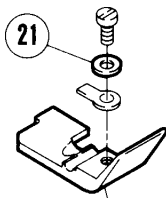
|    |            |
|----|------------|
| 18 | 504-4/21P2 |
|    | 514-4/62P2 |
|    | 516-4/38P2 |



- ① • 504-4/21P2, 514-4/62P2  
 • 516-4/38P2 (Option)
- ② • 516-4/38P2  
 • 504-4/21P2, 514-4/62P2 (Option)



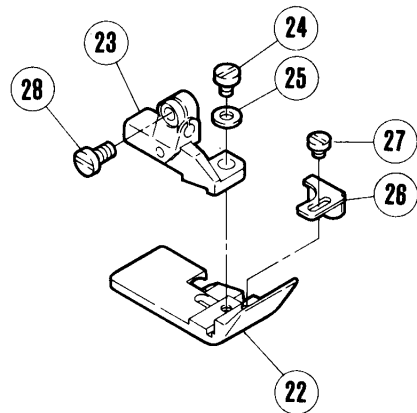
504-4/21P1, 504-4/21P2  
 514-4/62P1, 514-4/62P2



|    |          |
|----|----------|
| 18 | CD=2.0mm |
| 20 | CD=3.0mm |

CD=Cord Diameter

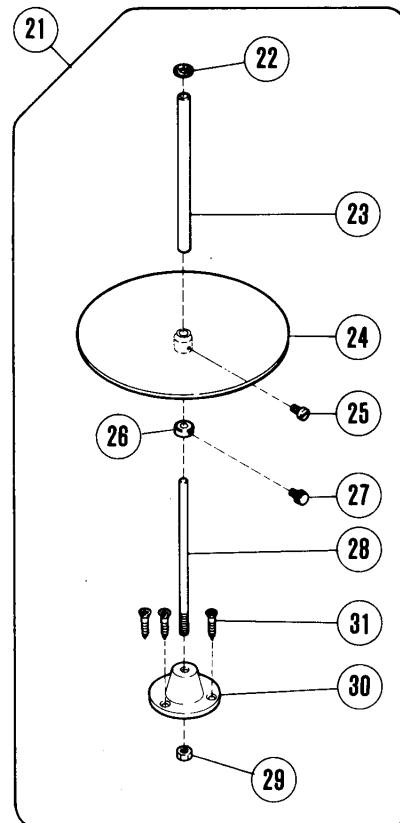
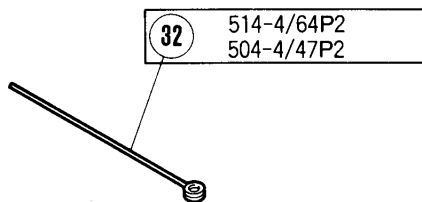
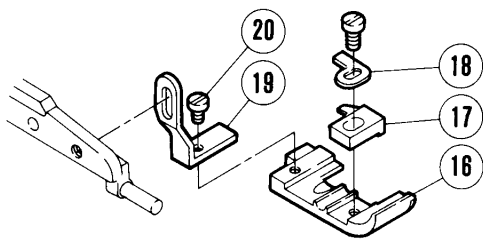
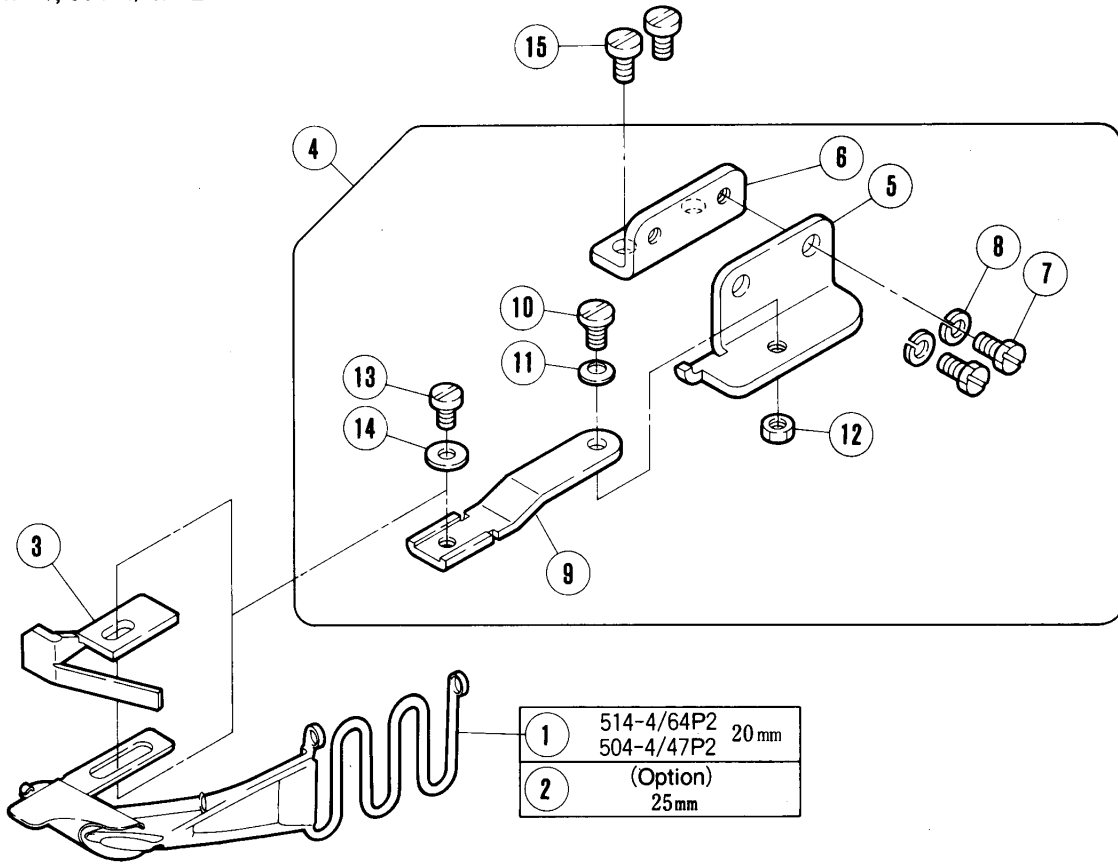
516(515)-4/38P1, 516(515)-4/38P2



# ATTACHMENT FOR PIPING (1)

| REF.<br>NO. | PART NO. | NAME                | QT. | MEMO |
|-------------|----------|---------------------|-----|------|
| 1           | 211885   | BINDER (20)         | 1   |      |
| 2           | 211886   | BINDER (25)         | 1   |      |
| 3           | 1202     | SCREW               | 1   |      |
| 4           | 167066   | WASHER              | 1   |      |
| 5           | 210962   | BRACKET/BINDER      | 1   |      |
| 6           | 5210     | SCREW               | 2   |      |
| 7           | 403      | TAPE DISC ASSEMBLY  | 1   |      |
| 8           | 406      | FELT                | 1   |      |
| 9           | 405      | FIXING ROD          | 1   |      |
| 10          | 404      | TAPE DISC           | 1   |      |
| 11          | 4012     | SCREW               | 1   |      |
| 12          | 407      | COLLAR              | 1   |      |
| 13          | 408      | ADJUSTING SCREW     | 1   |      |
| 14          | 409      | SHAFT               | 1   |      |
| 15          | 4818     | NUT                 | 1   |      |
| 16          | 410      | BRACKET             | 1   |      |
| 17          | 4908     | SCREW               | 3   |      |
| 18          | 413      | TAPE INSERTING TOOL | 1   |      |
| 19          | 208782   | PIPING FOOT         | 1   |      |
| 20          | 208783   | PIPING FOOT         | 1   |      |
| 21          | 202588   | WASHER              | 1   |      |
| 22          | 204502A  | PIPING FOOT         | 1   |      |
| 23          | 208554   | BRACKET COMPLETE    | 1   |      |
| 24          | 2921     | SCREW               | 1   |      |
| 25          | 202875   | WASHER              | 1   |      |
| 26          | 204460   | FABRIC GUARD        | 1   |      |
| 27          | 5077     | SCREW               | 1   |      |
| 28          | 5328     | SCREW               | 1   |      |

514-4/64P1, 514-4/64P2  
 504-4/47P1, 504-4/47P2

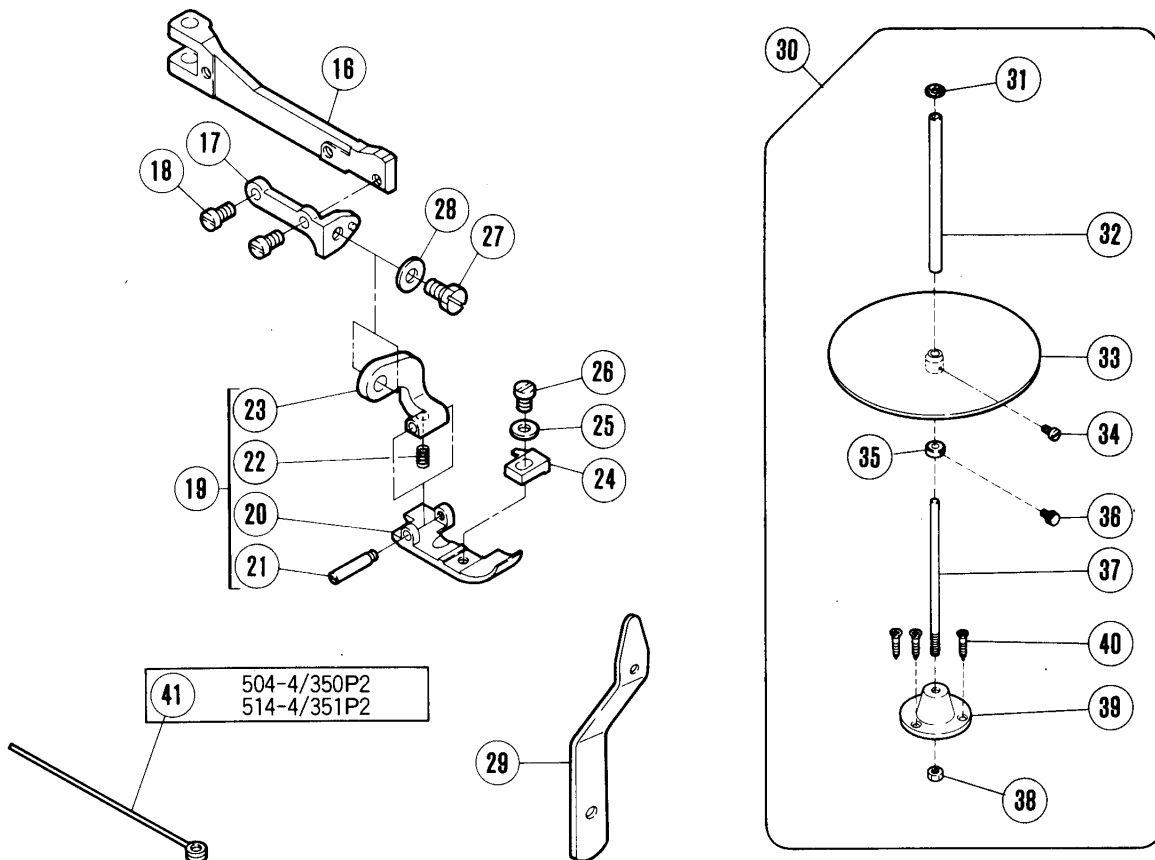
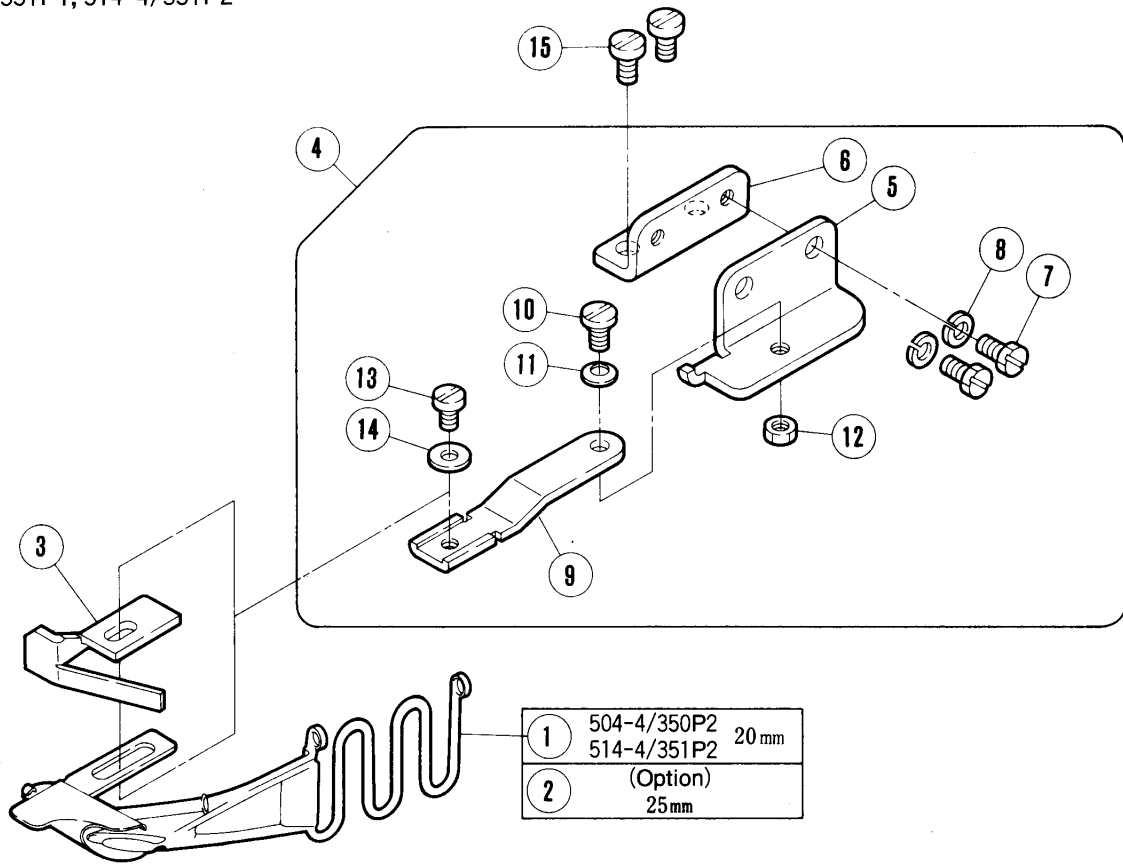


## ATTACHMENT FOR PIPING (2)

PLEASE NOTE : 「×××××」 is one of the gauge parts.  
So please refer to pages 74~132 and  
confirm the correct parts.

| REF.<br>NO. | PART NO.  | NAME                   | QT. | MEMO |
|-------------|-----------|------------------------|-----|------|
| 1           | 211880    | BINDER (20)            | 1   |      |
| 2           | 211946    | BINDER (25)            | 1   |      |
| 3           | 211879    | EDGE GUIDE             | 1   |      |
| 4           | 209335    | GUIDE SET              | 1   |      |
| 5           | 204452    | BRACKET/EDGE GUIDE     | 1   |      |
| 6           | 204451    | BRACKET                | 1   |      |
| 7           | 2193      | SCREW                  | 2   |      |
| 8           | 202286    | SPRING WASHER          | 2   |      |
| 9           | 209324    | HINGE                  | 1   |      |
| 10          | 5184      | SCREW                  | 1   |      |
| 11          | 201191    | SPRING                 | 1   |      |
| 12          | 3044      | NUT                    | 1   |      |
| 13          | 1202      | SCREW                  | 1   |      |
| 14          | 167066    | WASHER                 | 1   |      |
| 15          | 5117      | SCREW                  | 2   |      |
| 16          | 211873-TA | PRESSER FOOT           | 1   |      |
| 17          | XXXXXX    | PRESSER FOOT FINGER    | 1   |      |
| 18          | 211876    | SET PLATE/PRESSER FOOT | 1   |      |
| 19          | 211877    | STOPPER/PRESSER FOOT   | 1   |      |
| 20          | 1333      | SCREW                  | 1   |      |
| 21          | 403       | TAPE DISC ASSEMBLY     | 1   |      |
| 22          | 406       | FELT                   | 1   |      |
| 23          | 405       | FIXING ROD             | 1   |      |
| 24          | 404       | TAPE DISC              | 1   |      |
| 25          | 4012      | SCREW                  | 1   |      |
| 26          | 407       | COLLAR                 | 1   |      |
| 27          | 408       | ADJUSTING SCREW        | 1   |      |
| 28          | 409       | SHAFT                  | 1   |      |
| 29          | 4818      | NUT                    | 1   |      |
| 30          | 410       | BRACKET                | 1   |      |
| 31          | 4908      | SCREW                  | 3   |      |
| 32          | 413       | TAPE INSERTING TOOL    | 1   |      |

504-4/350P1, 504-4/350P2  
 514-4/351P1, 514-4/351P2

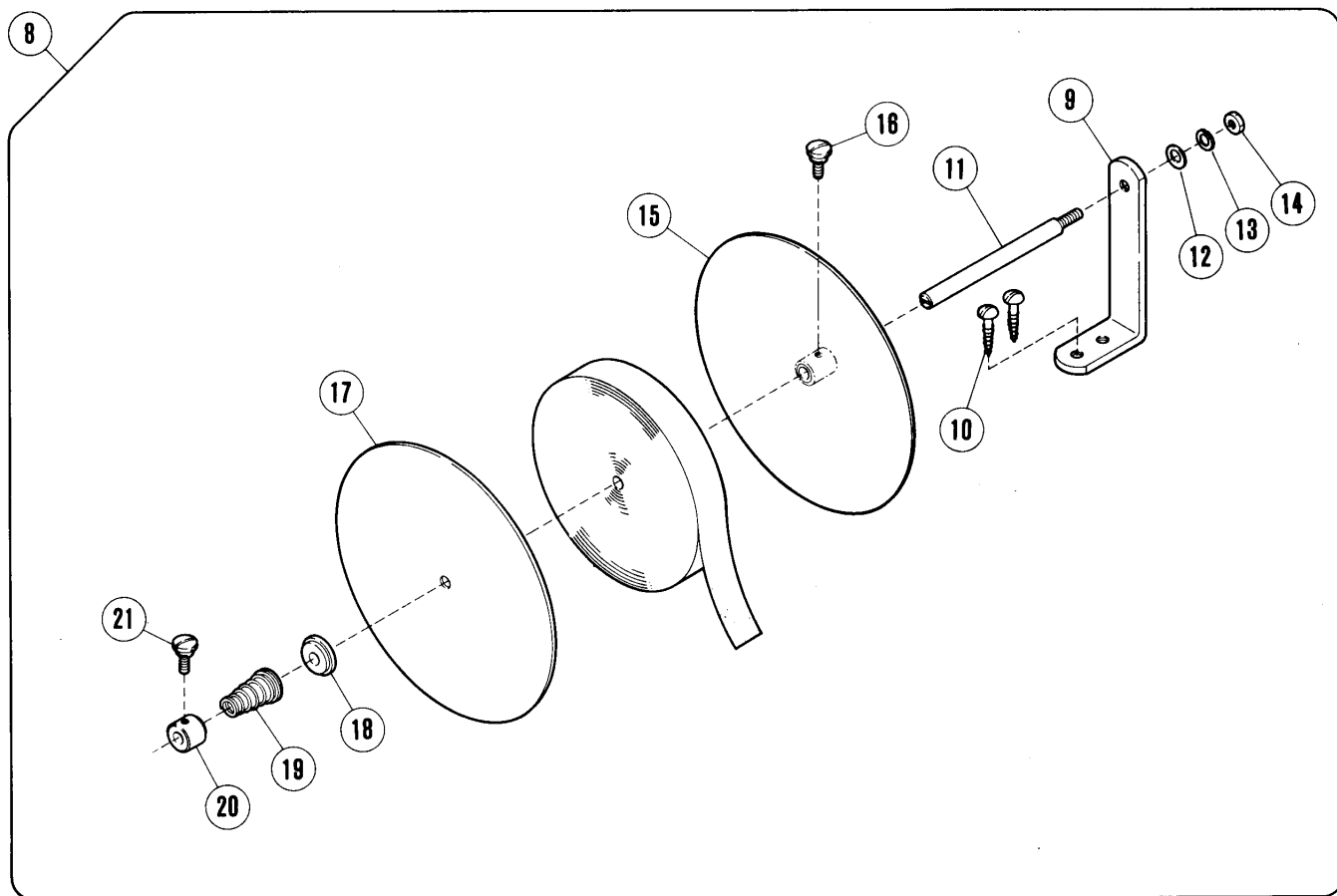
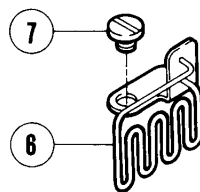
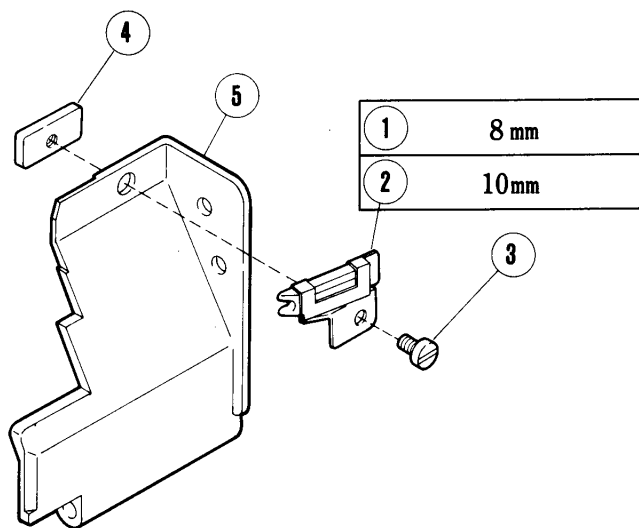




## ATTACHMENT FOR PIPING (3)

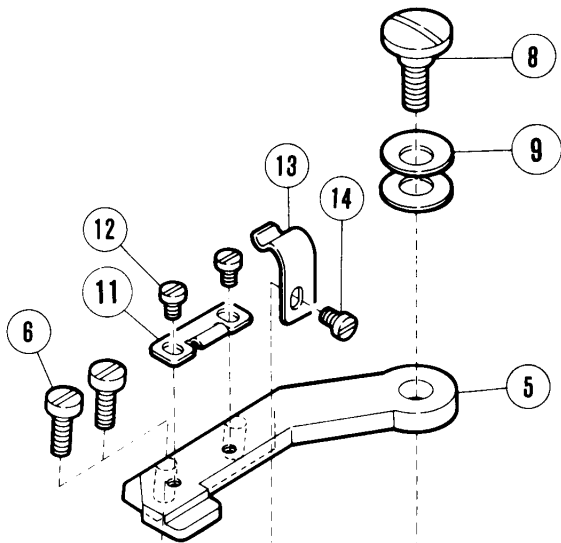
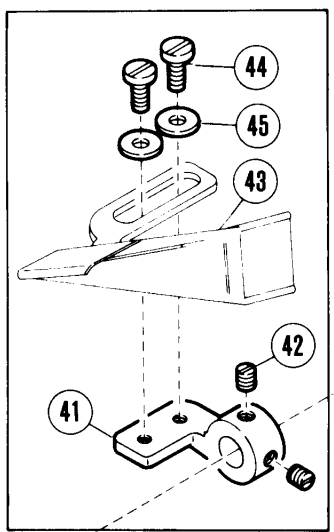
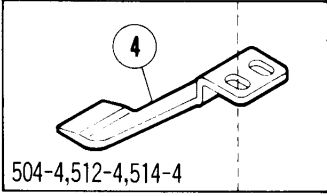
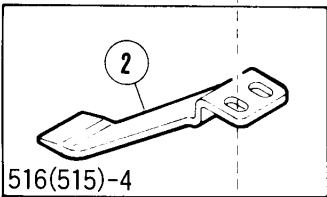
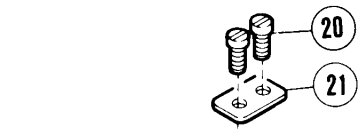
PLEASE NOTE: 「×××××」 is one of the gauge parts.  
So please refer to pages 74~132 and  
confirm the correct parts.

| REF.<br>NO. | PART NO.  | NAME                  | QT. | MEMO |
|-------------|-----------|-----------------------|-----|------|
| 1           | 211880    | BINDER (20)           | 1   |      |
| 2           | 211946    | BINDER (25)           | 1   |      |
| 3           | 211879    | EDGE GUIDE            | 1   |      |
| 4           | 209335    | GUIDE SET             | 1   |      |
| 5           | 204452    | BRACKET/EDGE GUIDE    | 1   |      |
| 6           | 204451    | BRACKET               | 1   |      |
| 7           | 2193      | SCREW                 | 2   |      |
| 8           | 202286    | SPRING WASHER         | 2   |      |
| 9           | 209324    | HINGE                 | 1   |      |
| 10          | 5184      | SCREW                 | 1   |      |
| 11          | 201191    | SPRING                | 1   |      |
| 12          | 3044      | NUT                   | 1   |      |
| 13          | 1202      | SCREW                 | 1   |      |
| 14          | 167066    | WASHER                | 1   |      |
| 15          | 5117      | SCREW                 | 2   |      |
| 16          | 209232    | PRESSER ARM           | 1   |      |
| 17          | 209230    | BRACKET               | 1   |      |
| 18          | 1196      | SCREW                 | 2   |      |
| 19          | 209333-TA | PRESSER FOOT COMPLETE | 1   |      |
| 20          | 211895-TA | PRESSER FOOT BODY     | 1   |      |
| 21          | 211897-B  | PIN                   | 1   |      |
| 22          | 211902    | SPRING                | 1   |      |
| 23          | 209334    | HINGE                 | 1   |      |
| 24          | XXXXXX    | PRESSER FOOT FINGER   | 1   |      |
| 25          | 202588    | WASHER                | 1   |      |
| 26          | 5089      | SCREW                 | 1   |      |
| 27          | 2193      | SCREW                 | 1   |      |
| 28          | 201185    | WASHER                | 1   |      |
| 29          | 211949    | CORD GUIDE PLATE      | 1   |      |
| 30          | 403       | TAPE DISC ASSEMBLY    | 1   |      |
| 31          | 406       | FELT                  | 1   |      |
| 32          | 405       | FIXING ROD            | 1   |      |
| 33          | 404       | TAPE DISC             | 1   |      |
| 34          | 4012      | SCREW                 | 1   |      |
| 35          | 407       | COLLAR                | 1   |      |
| 36          | 408       | ADJUSTING SCREW       | 1   |      |
| 37          | 409       | SHAFT                 | 1   |      |
| 38          | 4818      | NUT                   | 1   |      |
| 39          | 410       | BRACKET               | 1   |      |
| 40          | 4908      | SCREW                 | 3   |      |
| 41          | 413       | TAPE INSERTING TOOL   | 1   |      |



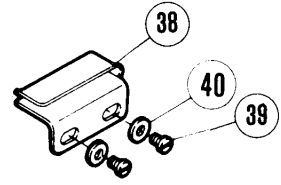
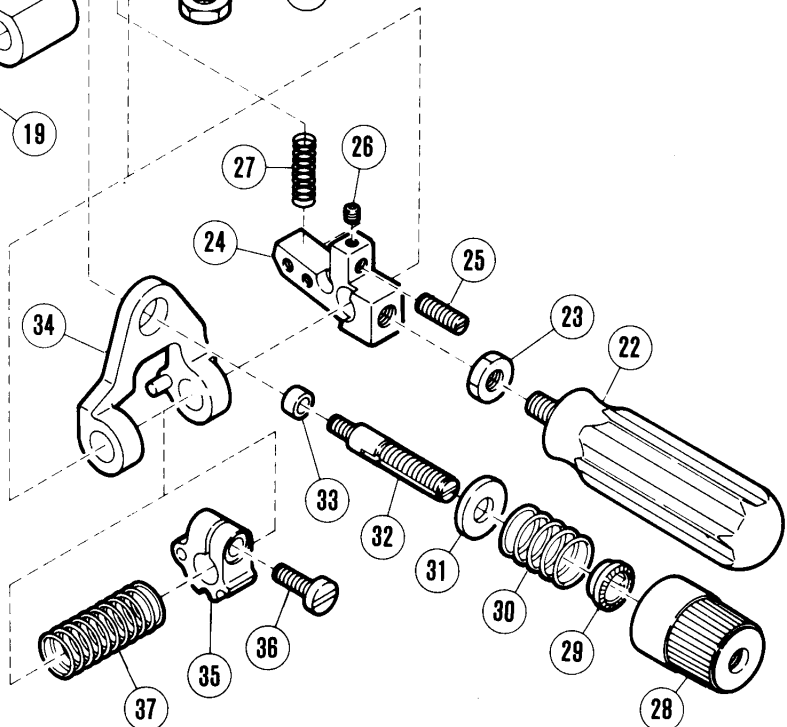
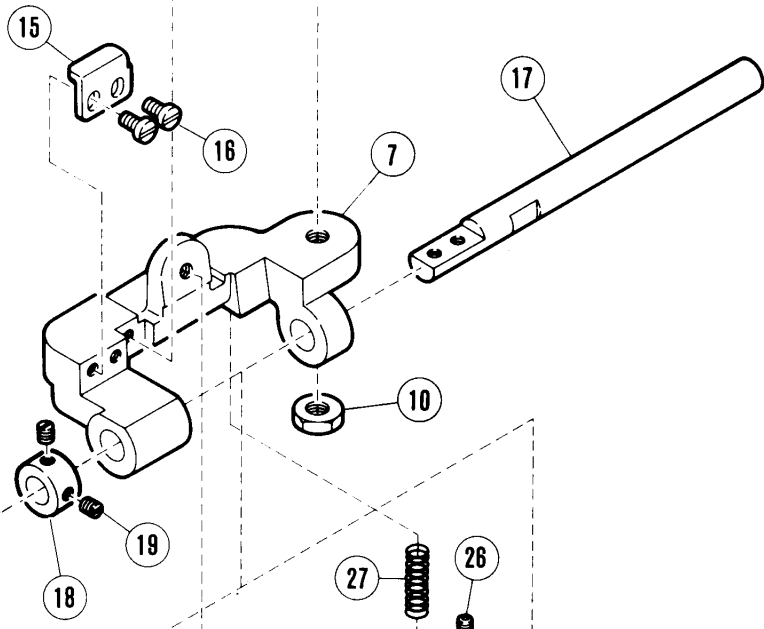
ATTACHMENT FOR TAPE

| REF.<br>NO. | PART NO. | NAME               | QT. | MEMO |
|-------------|----------|--------------------|-----|------|
| 1           | 208994   | BINDER (8)         | 1   |      |
| 2           | 209200   | BINDER (10)        | 1   |      |
| 3           | 1216     | SCREW              | 1   |      |
| 4           | 208997   | BINDER GUIDE       | 1   |      |
| 5           | 209000   | FRONT COVER (LEFT) | 1   |      |
| 6           | 209206   | TAPE GUIDE         | 1   |      |
| 7           | 2905     | SCREW              | 1   |      |
| 8           | 337      | TAPE DISC ASSEMBLY | 1   |      |
| 9           | 344      | BRACKET            | 1   |      |
| 10          | 4911     | SCREW              | 2   |      |
| 11          | 341      | ROD                | 1   |      |
| 12          | 189      | WASHER             | 1   |      |
| 13          | 303067   | SPRING WASHER      | 1   |      |
| 14          | 4805     | NUT                | 1   |      |
| 15          | 338      | TAPE DISC          | 1   |      |
| 16          | 339      | SCREW              | 1   |      |
| 17          | 340      | TAPE DISC COVER    | 1   |      |
| 18          | 467      | SPRING SEAT        | 1   |      |
| 19          | 343      | SPRING             | 1   |      |
| 20          | 468      | COLLAR             | 1   |      |
| 21          | 339      | SCREW              | 1   |      |



1  
516(515)-4  
2 • 5 ~ 40

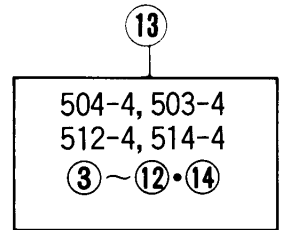
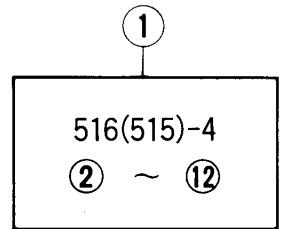
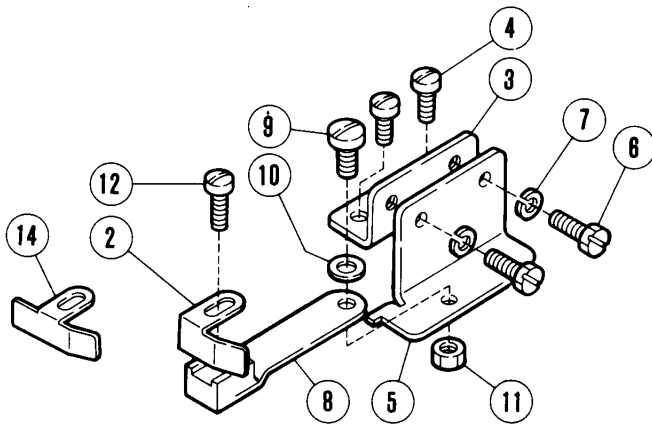
3  
504-4, 512-4  
514-4  
4 ~ 40



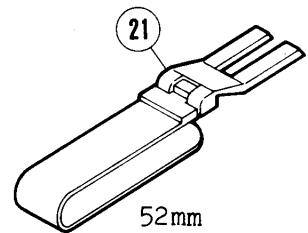
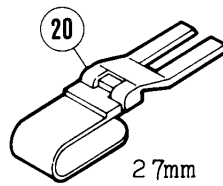
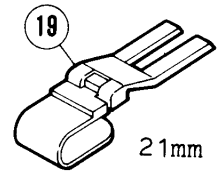
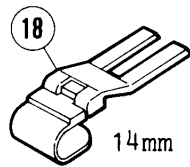
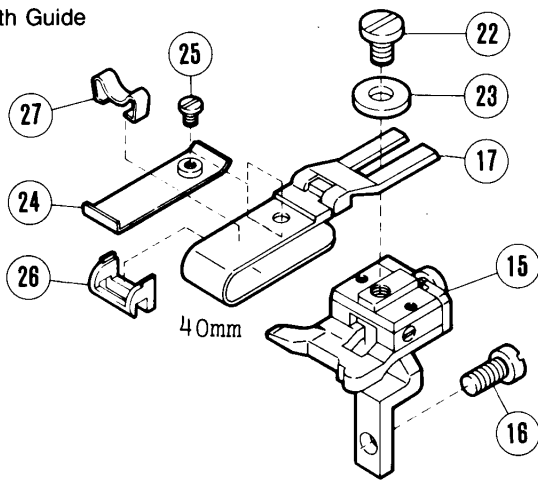
ATTACHMENT FOR SHIRRING

| REF. NO. | PART NO. | NAME                         | QT. | MEMO |
|----------|----------|------------------------------|-----|------|
| 1        | 208658   | SHIRRING ATTACHMENT COMPLETE | 1   |      |
| 2        | 210953   | BLADE                        | 1   |      |
| 3        | 208659   | SHIRRING ATTACHMENT COMPLETE | 1   |      |
| 4        | 210954   | BLADE                        | 1   |      |
| 5        | 208660   | BRACKET                      | 1   |      |
| 6        | 5152     | SCREW                        | 1   |      |
| 7        | 210936   | BRACKET                      | 1   |      |
| 8        | 5513     | SCREW                        | 1   |      |
| 9        | 204888   | SPRING                       | 1   |      |
| 10       | 5104     | NUT                          | 1   |      |
| 11       | 210947   | FLAT SPRING                  | 1   |      |
| 12       | 1206     | SCREW                        | 2   |      |
| 13       | 210946   | FLAT SPRING                  | 1   |      |
| 14       | 1206     | SCREW                        | 1   |      |
| 15       | 210945   | STOPPER                      | 1   |      |
| 16       | 5328     | SCREW                        | 1   |      |
| 17       | 210937   | SHAFT                        | 1   |      |
| 18       | 206225   | COLLAR                       | 1   |      |
| 19       | 1457-1   | SCREW                        | 2   |      |
| 20       | 5029     | SCREW                        | 2   |      |
| 21       | 210955   | WASHER                       | 1   |      |
| 22       | 210948   | LEVER                        | 1   |      |
| 23       | 5104     | NUT                          | 1   |      |
| 24       | 211614   | BRACKET                      | 1   |      |
| 25       | 1435     | SCREW                        | 1   |      |
| 26       | 5292     | SCREW                        | 1   |      |
| 27       | 210952   | SPRING                       | 1   |      |
| 28       | 208447   | POST NUT                     | 1   |      |
| 29       | 208448   | SPRING BUSHING               | 1   |      |
| 30       | 210940   | SPRING                       | 1   |      |
| 31       | 204091   | WASHER                       | 1   |      |
| 32       | 5082A    | SCREW STUD                   | 1   |      |
| 33       | 210944   | WASHER                       | 1   |      |
| 34       | 211613   | GUIDE                        | 1   |      |
| 35       | 210938   | LATCH                        | 1   |      |
| 36       | 5118     | SCREW                        | 1   |      |
| 37       | 210939   | SPRING                       | 1   |      |
| 38       | 205091   | SHIRRING EDGE GUIDE          | 1   |      |
| 39       | 1234     | SCREW                        | 2   |      |
| 40       | 137906   | WASHER                       | 2   |      |
| 41       | 210962   | BRACKET/BINDER               | 1   |      |
| 42       | 5210     | SCREW                        | 2   |      |
| 43       |          | BINDER                       | 1   |      |
| 44       | 1202     | SCREW                        | 2   |      |
| 45       | 167066   | WASHER                       | 2   |      |

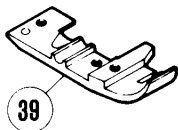
Fabric Edge Guide



Cloth Guide

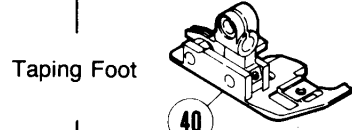


514-4



39

516(515)-4



40

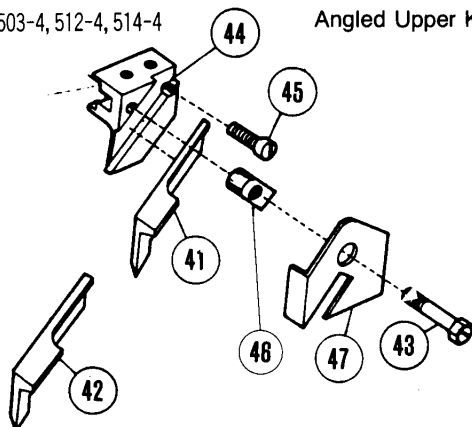


38

37

504-4, 503-4, 512-4, 514-4

Angled Upper Knife



44

45

41

46

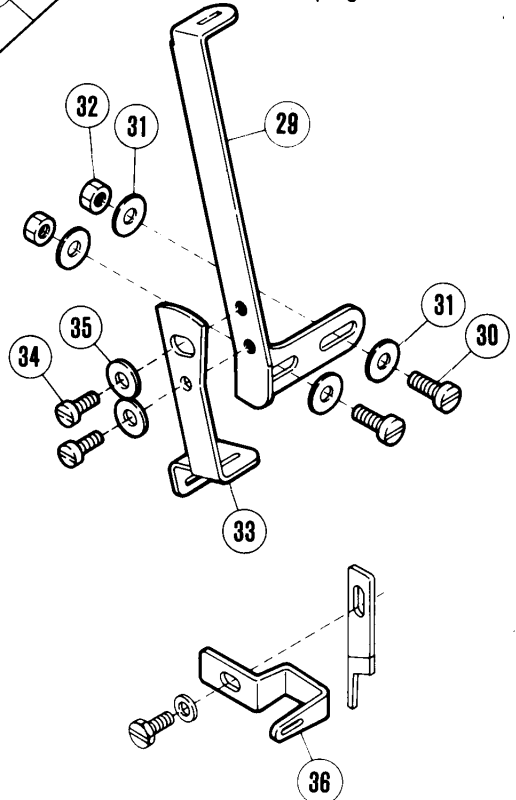
47

43

42

28

Taping Guides



32

31

28

34

35

31

30

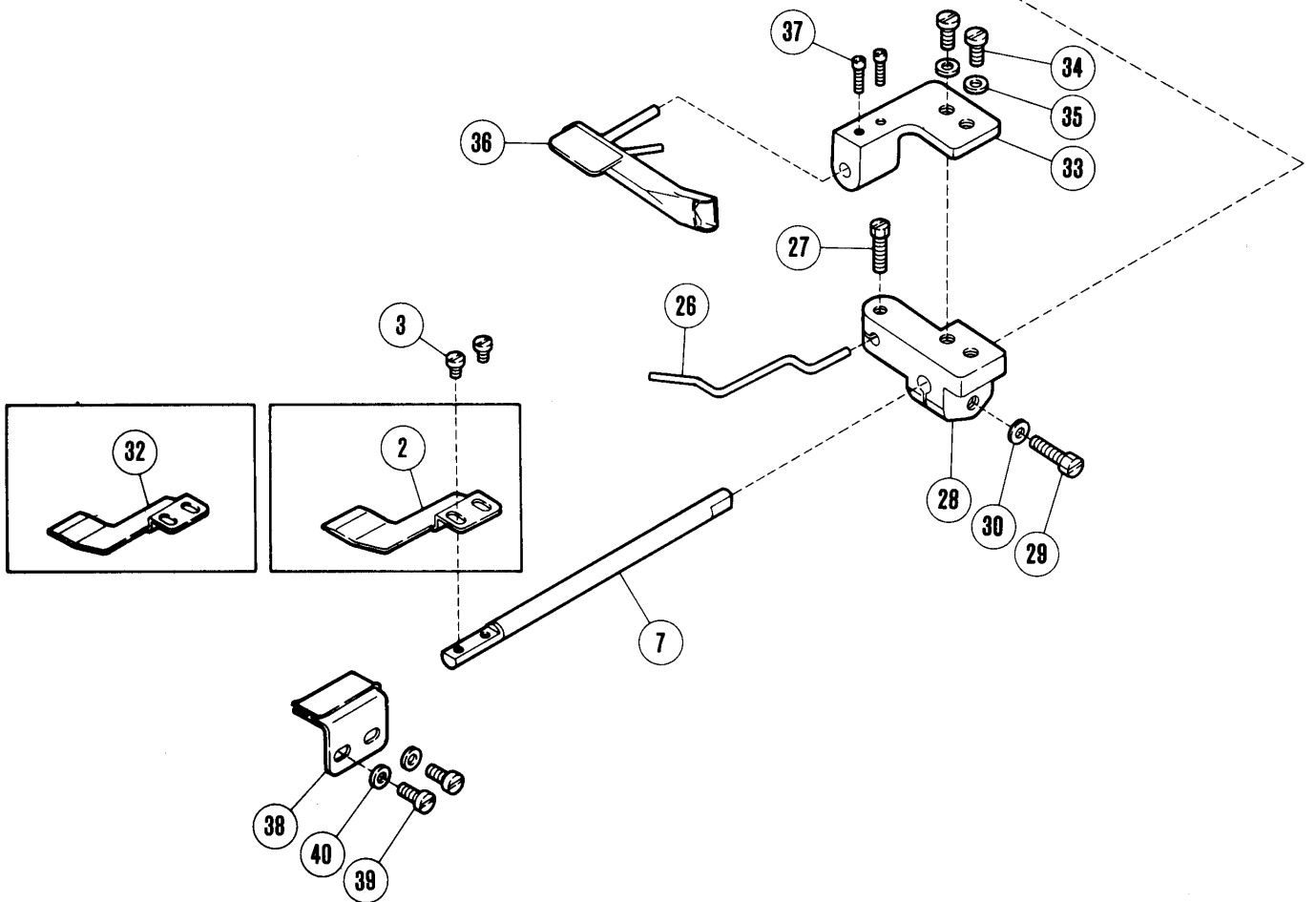
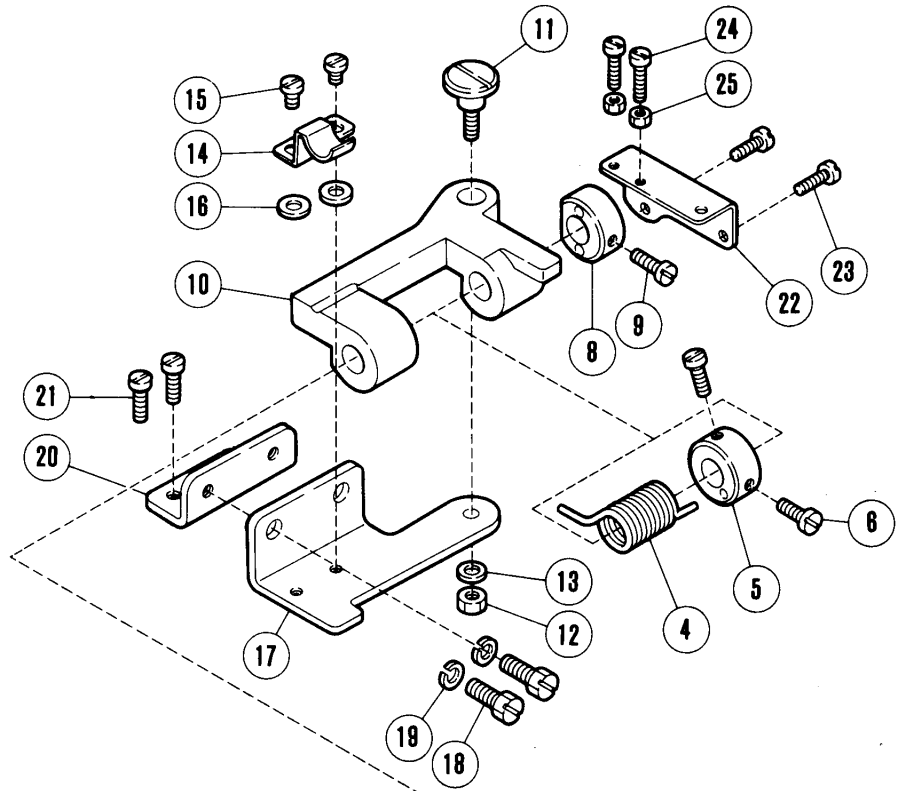
33

36

## ATTACHMENT

| REF.<br>NO. | PART NO.  | NAME                        | QT. | MEMO |
|-------------|-----------|-----------------------------|-----|------|
| 1           | 204449    | EDGE GUIDE COMPLETE         | 1   |      |
| 2           | 201233A   | EDGE GUIDE                  | 1   |      |
| 3           | 204451    | BRACKET                     | 1   |      |
| 4           | 5117      | SCREW                       | 2   |      |
| 5           | 204452    | BRACKET/EDGE GUIDE          | 1   |      |
| 6           | 2193      | SCREW                       | 2   |      |
| 7           | 202286    | SPRING WASHER               | 2   |      |
| 8           | 201485    | BRACKET/EDGE GUIDE          | 1   |      |
| 9           | 5184      | SCREW                       | 1   |      |
| 10          | 201191    | SPRING                      | 1   |      |
| 11          | 3044      | NUT                         | 1   |      |
| 12          | 1202      | SCREW                       | 1   |      |
| 13          | 204896    | BRACKET COMPLETE/EDGE GUIDE | 1   |      |
| 14          | 204667    | EDGE GUIDE                  | 1   |      |
| 15          | 204760A   | WELT GUIDE HOLDER           | 1   |      |
| 16          | 1189      | SCREW                       | 1   |      |
| 17          | 201211B   | FOLDER COMPLETE (40MM)      | 1   |      |
| 18          | 205457    | FOLDER COMPLETE (14MM)      | 1   |      |
| 19          | 205678    | FOLDER COMPLETE (21MM)      | 1   |      |
| 20          | 205679    | FOLDER COMPLETE (27MM)      | 1   |      |
| 21          | 205456    | FOLDER COMPLETE (52MM)      | 1   |      |
| 22          | 2905      | SCREW                       | 1   |      |
| 23          | 137142    | WASHER                      | 1   |      |
| 24          | 205835    | AUXILIARY PLATE             | 1   |      |
| 25          | 5299      | SCREW                       | 1   |      |
| 26          | 303312A   | REGULATOR                   | 1   |      |
| 27          | 303313    | FLAT SPRING                 | 1   |      |
| 28          | 209402-91 | TAPE GUIDE ASSEMBLY         | 1   |      |
| 29          | 208915    | TAPE GUIDE (UPPER)          | 1   |      |
| 30          | 1175-3    | SCREW                       | 2   |      |
| 31          | 137906    | WASHER                      | 4   |      |
| 32          | 3091      | NUT                         | 2   |      |
| 33          | 208916    | TAPE GUIDE (LOWER)          | 1   |      |
| 34          | 1216      | SCREW                       | 2   |      |
| 35          | 137906    | WASHER                      | 2   |      |
| 36          | 205319    | TAPE TAKEUP                 | 1   |      |
| 37          | 208735    | TAPE GUIDE                  | 1   |      |
| 38          | 1333      | SCREW                       | 1   |      |
| 39          | 208730    | PRESSER FOOT                | 1   |      |
| 40          | 303688    | PRESSER FOOT                | 1   |      |
| 41          | 204152    | UPPER KNIFE                 | 1   |      |
| 42          | 204835    | UPPER KNIFE                 | 1   |      |
| 43          | 5371      | SCREW                       | 1   |      |
| 44          | 204830    | UPPER KNIFE CLAMP           | 1   |      |
| 45          | 5142      | SCREW                       | 1   |      |
| 46          | 204155    | GIB                         | 1   |      |
| 47          | 204156    | WASTE GUARD                 | 1   |      |

|    |        |      |                       |
|----|--------|------|-----------------------|
| 1  | 2 • 3  | ~ 30 | 516(515)-4            |
| 31 | 32 • 3 | ~ 30 | 504-4, 512-4<br>514-4 |

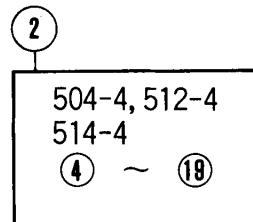
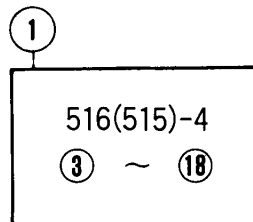
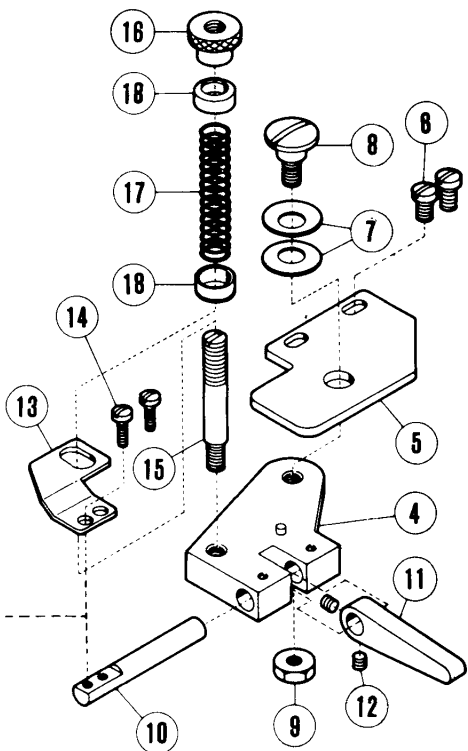
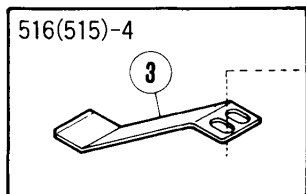
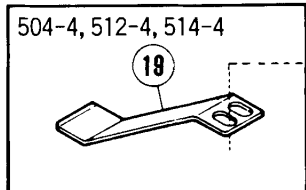




ATTACHMENT FOR SHIRRING (OPTION)

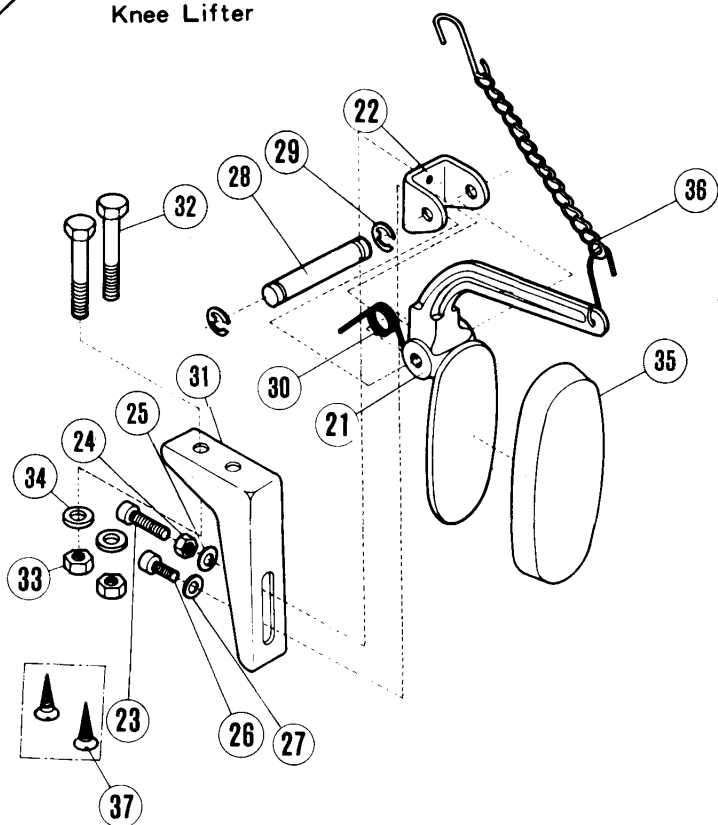
| REF.<br>NO. | PART NO. | NAME                         | QT. | MEMO |
|-------------|----------|------------------------------|-----|------|
| 1           | 204670   | SHIRRING ATTACHMENT COMPLETE | 1   |      |
| 2           | 205064   | SHIRRING BLADE               | 1   |      |
| 3           | 5227     | SCREW                        | 2   |      |
| 4           | 205065   | SPRING                       | 1   |      |
| 5           | 205066   | COLLAR                       | 1   |      |
| 6           | 5064     | SCREW                        | 2   |      |
| 7           | 205067   | SHAFT                        | 1   |      |
| 8           | 205068   | COLLAR                       | 1   |      |
| 9           | 2213     | SCREW                        | 1   |      |
| 10          | 205069   | BLOCK                        | 1   |      |
| 11          | 5326     | SCREW                        | 1   |      |
| 12          | 5137     | NUT                          | 1   |      |
| 13          | 202286   | SPRING WASHER                | 1   |      |
| 14          | 205070   | FLAT SPRING                  | 1   |      |
| 15          | 1229     | SCREW                        | 2   |      |
| 16          | 200183   | WASHER                       | 2   |      |
| 17          | 204495   | PLATE                        | 1   |      |
| 18          | 2193     | SCREW                        | 2   |      |
| 19          | 202286   | SPRING WASHER                | 2   |      |
| 20          | 204451   | BRACKET                      | 1   |      |
| 21          | 5117     | SCREW                        | 2   |      |
| 22          | 205072   | LEVER/PRESSER FOOT           | 1   |      |
| 23          | 5117     | SCREW                        | 2   |      |
| 24          | 1170     | SCREW                        | 2   |      |
| 25          | 3091     | NUT                          | 2   |      |
| 26          | 204592   | LIFTER                       | 1   |      |
| 27          | 5118     | SCREW                        | 1   |      |
| 28          | 205104   | BLOCK                        | 1   |      |
| 29          | 5276     | SCREW                        | 1   |      |
| 30          | 204585   | WASHER                       | 1   |      |
| 31          | 204882   | PRESSER FOOT COMPLETE        | 1   |      |
| 32          | 205137   | PRESSER FOOT                 | 1   |      |
| 33          | 205103   | BRACKET/BINDER               | 1   |      |
| 34          | 1175-3   | SCREW                        | 2   |      |
| 35          | 167066   | WASHER                       | 2   |      |
| 36          |          | BINDER                       | 1   |      |
| 37          | 1170-1   | SCREW                        | 2   |      |
| 38          | 205091   | SHIRRING EDGE GUIDE          | 1   |      |
| 39          | 1234     | SCREW                        | 2   |      |
| 40          | 137906   | WASHER                       | 2   |      |

Shirring attachment



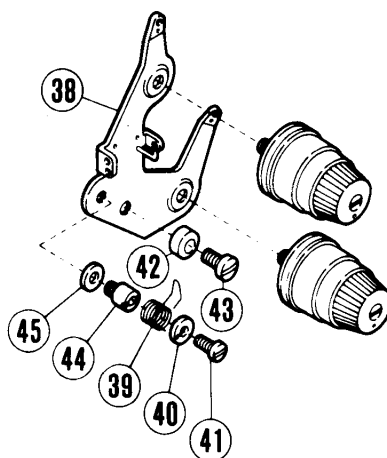
20

Knee Lifter



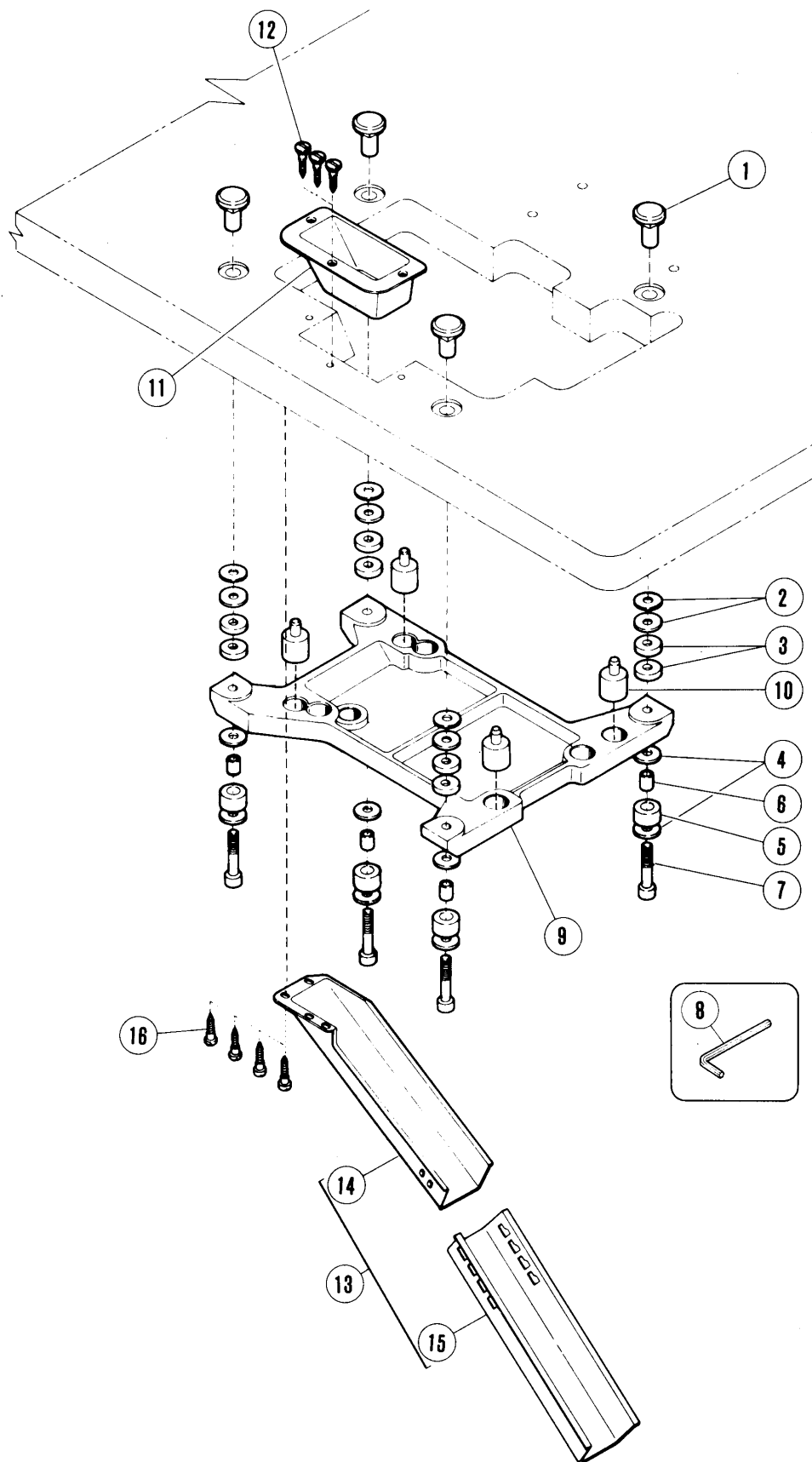
516(515)-4

Monofilament needle thread tension guide  
(used for 401 needle thread of monofilament)



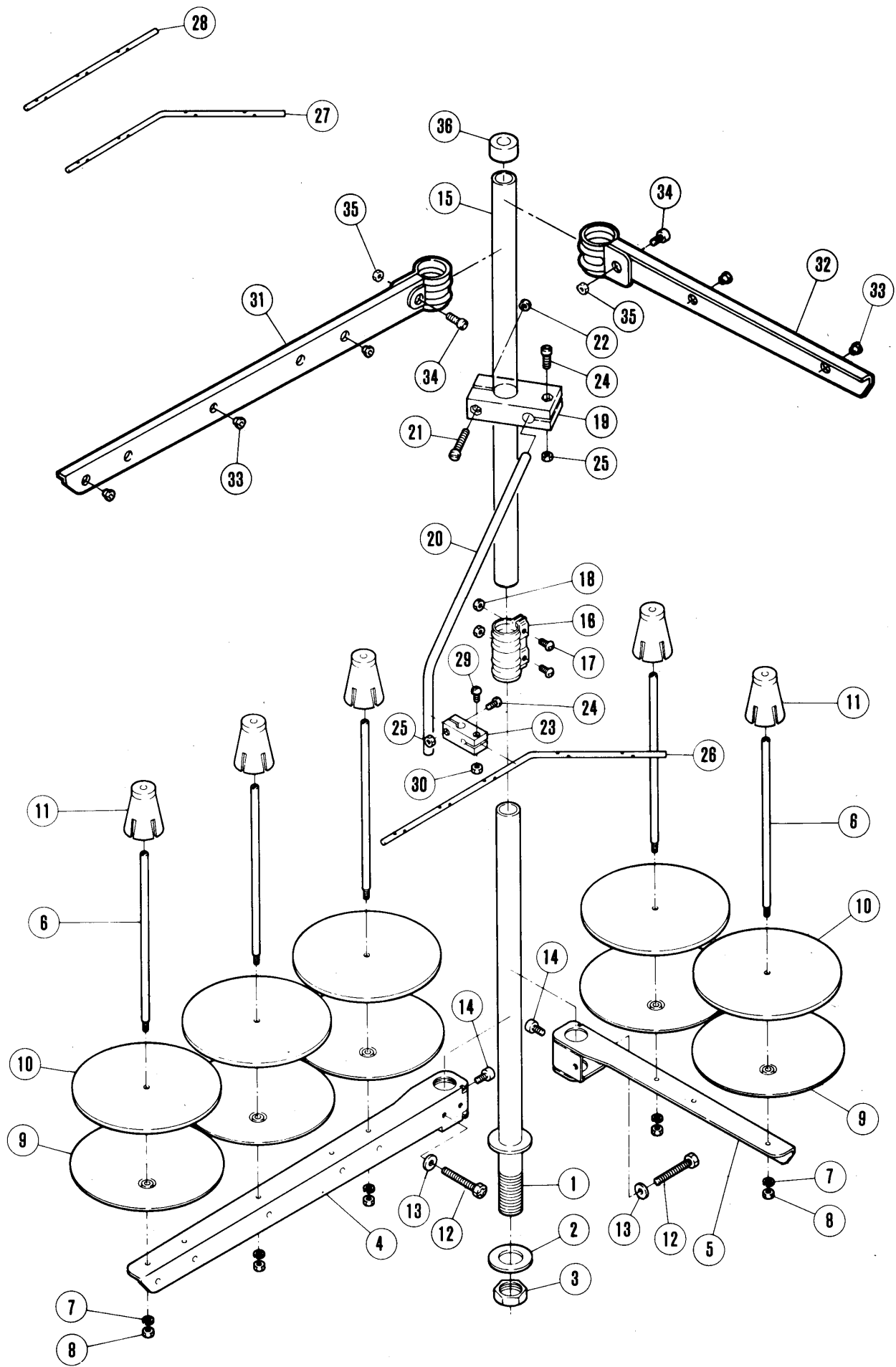
## ATTACHMENT (OPTION)

| REF.<br>NO. | PART NO. | NAME                        | QT. | MEMO |
|-------------|----------|-----------------------------|-----|------|
| 1           | 204897   | SHIRRING ATTACHMENT         | 1   |      |
| 2           | 204898   | SHIRRING ATTACHMENT         | 1   |      |
| 3           | 204885   | SHIRRING BLADE              | 1   |      |
| 4           | 204886   | BRACKET                     | 1   |      |
| 5           | 204887   | BRACKET BASE                | 1   |      |
| 6           | 5117     | SCREW                       | 2   |      |
| 7           | 204888   | SPRING                      | 2   |      |
| 8           | 5380     | SCREW                       | 1   |      |
| 9           | 5104     | NUT                         | 1   |      |
| 10          | 204889   | SHIRRING BLADE SHAFT        | 1   |      |
| 11          | 204890   | LEVER                       | 1   |      |
| 12          | 1459     | SCREW                       | 2   |      |
| 13          | 204891   | BLADE GUIDE                 | 1   |      |
| 14          | 1175-2   | SCREW                       | 2   |      |
| 15          | 204892   | POST                        | 1   |      |
| 16          | 204893   | THUMB NUT                   | 1   |      |
| 17          | 204894   | SPRING                      | 1   |      |
| 18          | 204895   | CUP                         | 2   |      |
| 19          | 204966   | PRESSER FOOT                | 1   |      |
| 20          | 192      | KNEE CONTROLLER ASSEMBLY    | 1   |      |
| 21          | 193      | KNEE CONTROLLER             | 1   |      |
| 22          | 194      | HINGE                       | 1   |      |
| 23          | 5183     | SCREW                       | 1   |      |
| 24          | 3044     | NUT                         | 1   |      |
| 25          | 137142   | WASHER                      | 1   |      |
| 26          | 5118     | SCREW                       | 1   |      |
| 27          | 137142   | WASHER                      | 1   |      |
| 28          | 195      | PIN                         | 1   |      |
| 29          | 202522   | RING                        | 1   |      |
| 30          | 196      | SPRING                      | 1   |      |
| 31          | 197      | BRACKET                     | 1   |      |
| 32          | 5347     | SCREW                       | 2   |      |
| 33          | 5348     | NUT                         | 2   |      |
| 34          | 204585   | WASHER                      | 2   |      |
| 35          | 198      | RUBBER PAD                  | 1   |      |
| 36          | 199      | CHAIN                       | 1   |      |
| 37          | 5341     | SCREW                       | 2   |      |
| 38          | 208484   | THREAD TENSION BRACKET COM. | 1   |      |
| 39          | 204960   | SPRING                      | 1   |      |
| 40          | 204962   | NUT                         | 1   |      |
| 41          | 2922     | SCREW                       | 1   |      |
| 42          | 202683   | STOPPER                     | 1   |      |
| 43          | 5117     | SCREW                       | 1   |      |
| 44          | 204961   | STUD                        | 1   |      |
| 45          | 202757   | WASHER                      | 1   |      |



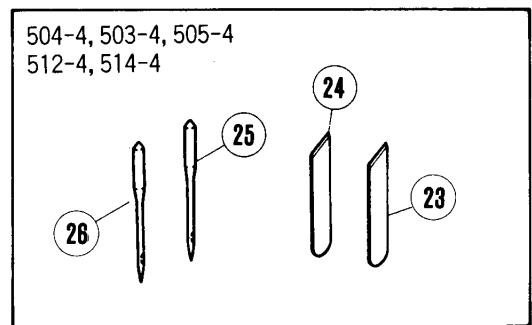
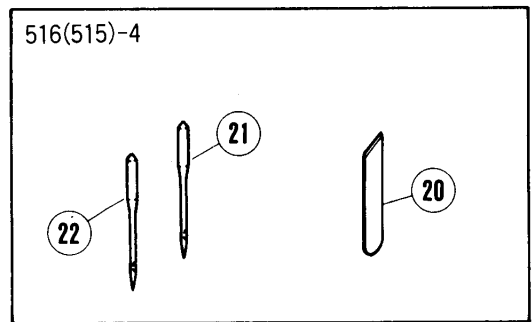
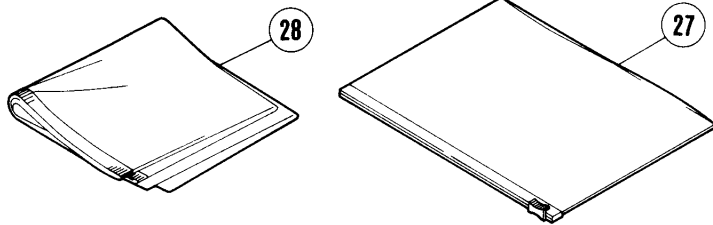
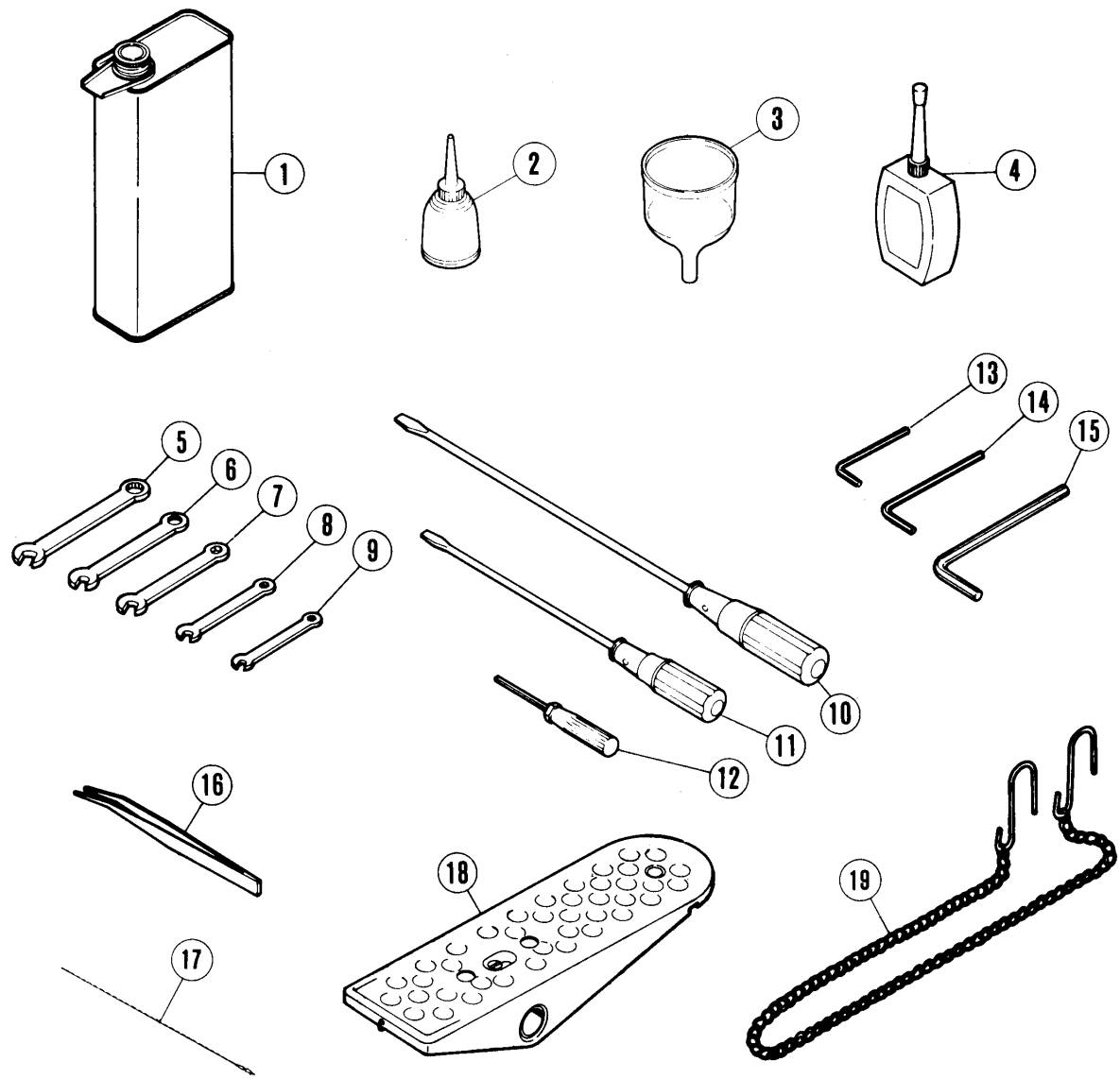
# PARTS FOR SEMI-SUBMERGED INSTALLATION

| REF.<br>NO. | PART NO.  | NAME                | QT. | MEMO |
|-------------|-----------|---------------------|-----|------|
| 1           | 206336    | NUT                 | 4   |      |
| 2           | 206337    | WASHER              | 8   |      |
| 3           | 205467    | SPACER              | 8   |      |
| 4           | 206337    | WASHER              | 4   |      |
| 5           | 205764    | CUSHION RUBBER      | 4   |      |
| 6           | 205765    | LINER               | 4   |      |
| 7           | 4512      | SCREW               | 4   |      |
| 8           | 272       | ALLEN KEY/6MM       | 1   |      |
| 9           | 205466    | MACHINE REST BOARD  | 1   |      |
| 10          | 205473    | CUSHION RUBBER      | 4   |      |
| 11          | 205470-JA | WASTE CHUTE TOP     | 1   |      |
| 12          | 4904      | SCREW               | 3   |      |
| 13          | 9050      | WASTE CHUTE SET     | 1   |      |
| 14          | 205468-JA | WASTE CHUTE TOP (A) | 1   |      |
| 15          | 205469-JA | WASTE CHUTE TOP (B) | 1   |      |
| 16          | 4905      | SCREW               | 4   |      |



# THREAD STAND

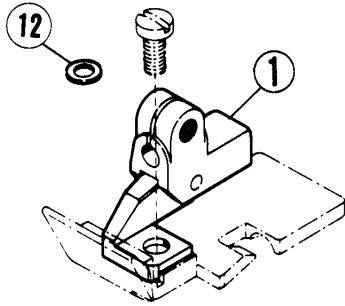
| REF. NO. | PART NO.<br>部品番号 | NAME                         | SPOOLS: 3 | 4 | 5 | MEMO |
|----------|------------------|------------------------------|-----------|---|---|------|
|          | 486A9C           | THREAD STAND ASS. (5-SPOOLS) |           |   | 1 |      |
|          | 486B9C           | THREAD STAND ASS. (4-SPOOLS) |           | 1 |   |      |
|          | 486C9C           | THREAD STAND ASS. (3-SPOOLS) | 1         |   |   |      |
| 1        | 503-CA           | THREAD STAND ROD (LOWER)     | 1         | 1 | 1 |      |
| 2        | 509              | WASHER                       | 1         | 1 | 1 |      |
| 3        | 5476             | NUT                          | 1         | 1 | 1 |      |
| 4        | 505-CA           | BRACKET                      | 1         |   |   |      |
| 5        | 505ACA           | BRACKET                      |           | 2 | 1 |      |
| 6        | 380A             | SPOOL PIN                    | 3         | 4 | 5 |      |
| 7        | 201252           | SPRING WASHER                | 3         | 4 | 5 |      |
| 8        | 4803             | NUT                          | 3         | 4 | 5 |      |
| 9        | 381-CA           | SPOOL TRAY                   | 3         | 4 | 5 |      |
| 10       | 507              | CUSHION                      | 3         | 4 | 5 |      |
| 11       | 382-CA           | SPOOL RETAINING FIN          | 3         | 4 | 5 |      |
| 12       | 7102             | SCREW                        | 1         | 2 | 2 |      |
| 13       | 512              | WASHER                       | 1         | 2 | 2 |      |
| 14       | 4022             | SCREW                        | 1         | 2 | 2 |      |
| 15       | 502-CA           | THREAD STAND ROD (UPPER)     | 1         | 1 | 1 |      |
| 16       | 504-CA           | JOINT                        | 1         | 1 | 1 |      |
| 17       | 4021             | SCREW                        | 2         | 2 | 2 |      |
| 18       | 4805             | NUT                          | 2         | 2 | 2 |      |
| 19       | 383-CA           | BRACKET                      | 1         | 1 | 1 |      |
| 20       | 384              | THREAD GUIDE BAR ROD         | 1         | 1 | 1 |      |
| 21       | 4014             | SCREW                        | 1         | 1 | 1 |      |
| 22       | 4803             | NUT                          | 1         | 1 | 1 |      |
| 23       | 233-CA           | HOLDER                       | 1         | 1 | 1 |      |
| 24       | 4012             | SCREW                        | 2         | 2 | 2 |      |
| 25       | 4803             | NUT                          | 2         | 2 | 2 |      |
| 26       | 293A             | THREAD GUIDE BAR (5-SPOOLS)  |           |   | 1 |      |
| 27       | 293B             | THREAD GUIDE BAR (4-SPOOLS)  |           | 1 |   |      |
| 28       | 293C             | THREAD GUIDE BAR (3-SPOOLS)  | 1         |   |   |      |
| 29       | 4012             | SCREW                        | 1         | 1 | 1 |      |
| 30       | 4803             | NUT                          | 1         | 1 | 1 |      |
| 31       | 527-CA           | BRACKET                      | 1         |   | 1 |      |
| 32       | 527ACA           | BRACKET                      |           | 2 | 1 |      |
| 33       | 506              | THREAD EYELET                | 3         | 4 | 5 |      |
| 34       | 4117             | SCREW                        | 1         | 2 | 2 |      |
| 35       | 4805             | NUT                          | 1         | 2 | 2 |      |
| 36       | 386              | ROD CAP                      | 1         | 1 | 1 |      |



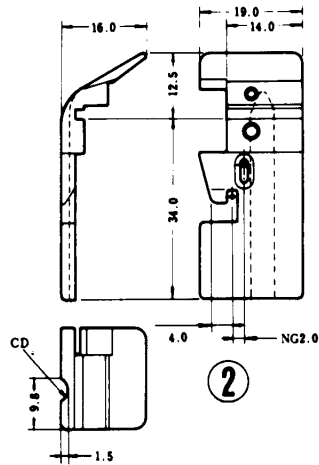


# ACCESSORIES

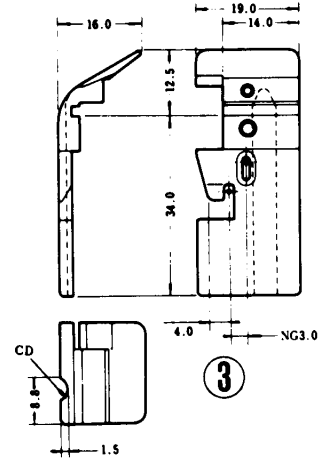
| REF. NO. | PART NO. | NAME                 | MEMO |
|----------|----------|----------------------|------|
| 1        | 452      | OIL CONTAINER/750CC  |      |
| 2        | 485      | OILER                |      |
| 3        | 484      | OIL FUNNEL           |      |
| 4        | 178      | CONTAINER - SILICONE |      |
| 5        | 286      | WRENCH/9.5MM         |      |
| 6        | 285      | WRENCH/8MM           |      |
| 7        | 284      | WRENCH/7MM           |      |
| 8        | 283      | WRENCH/6MM           |      |
| 9        | 391      | WRENCH/5MM           |      |
| 10       | 127      | SCREWDRIVER (LARGE)  |      |
| 11       | 128      | SCREWDRIVER (MEDIUM) |      |
| 12       | 179      | ALLEN KEY DRIVER     |      |
| 13       | 322      | ALLEN KEY/2.38MM     |      |
| 14       | 182      | ALLEN KEY            |      |
| 15       | 200      | ALLEN KEY/4.76MM     |      |
| 16       | 131      | TWEEZERS             |      |
| 17       | 153      | THREADING WIRE       |      |
| 18       | 480      | PEDAL                |      |
| 19       | 392      | CHAIN                |      |
| 20       | 204161   | LOWER KNIFE          |      |
| 21       | DCX27    | NEEDLE               |      |
| 22       | DCX27    | NEEDLE               |      |
| 23       | 201127   | LOWER KNIFE/THIN     |      |
| 24       | 202295   | LOWER KNIFE/THICK    |      |
| 25       | DCX27    | NEEDLE               |      |
| 26       | DCX3     | NEEDLE               |      |
| 27       | 482      | ACCESSORY BAG        |      |
| 28       | 909      | DUST COVER           |      |



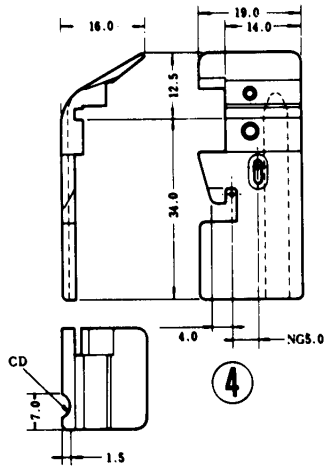
NG = Needle Gauge  
 CD = Cord Diameter



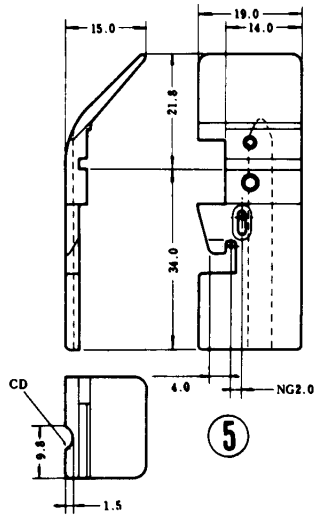
NG×CD  
 2×3 204499  
 2×4 204500  
 2×5 204501



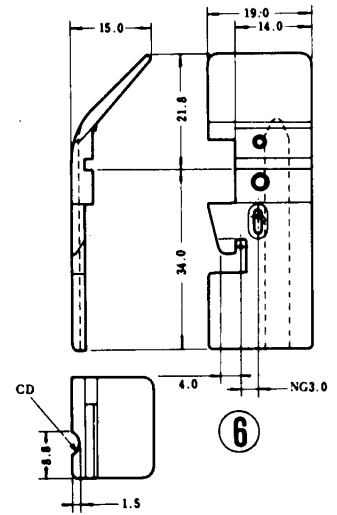
NG×CD  
 3×3 204502  
 3×4 204503  
 3×5 204504



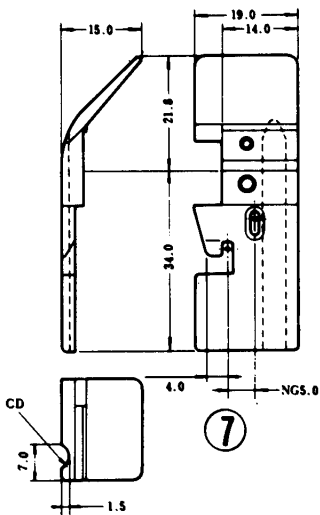
NG×CD  
 5×3 204505  
 5×4 204506  
 5×5 204507



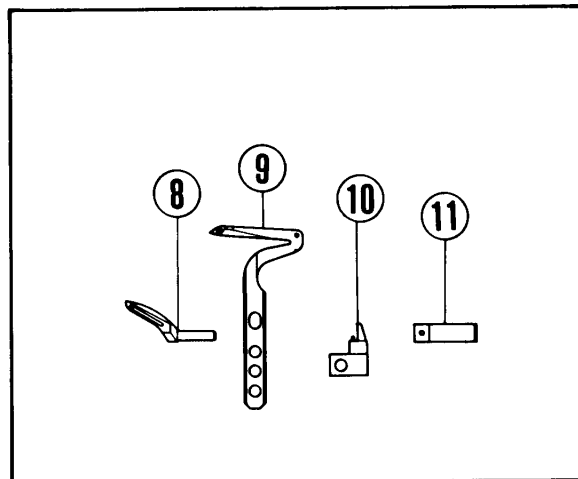
NG×CD  
 2×3 204508  
 2×4 204509  
 2×5 204510



NG×CD  
 3×3 204511  
 3×4 204512  
 3×5 204513



NG×CD  
 5×3 204514  
 5×4 204515  
 5×5 204516



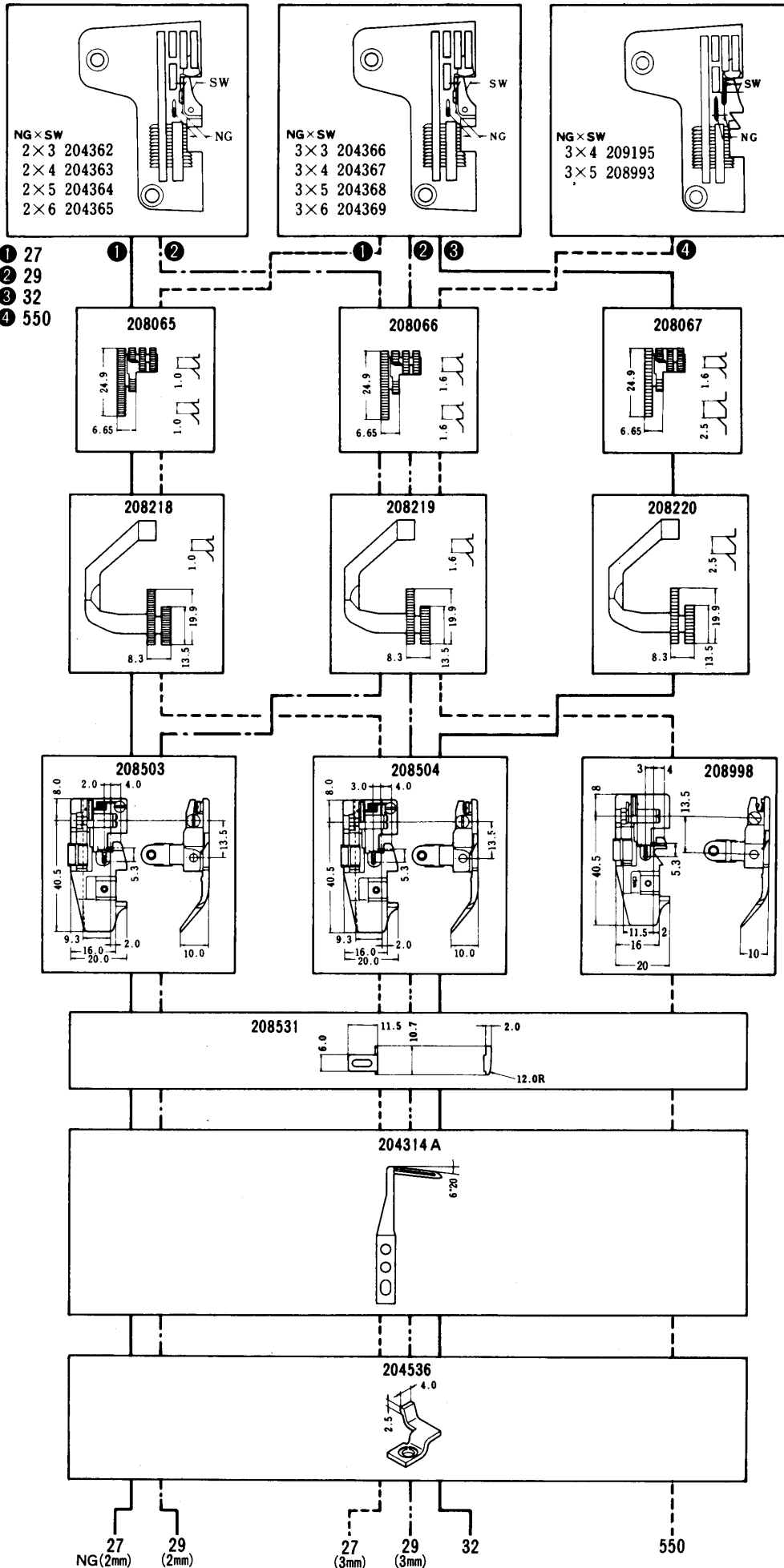
# PIPING FOOT-OTHERS

| REF.<br>NO. | PART NO. | NAME                        | QT. | MEMO |
|-------------|----------|-----------------------------|-----|------|
| 1           | 208554   | BRACKET COMPLETE            | 1   |      |
| 2           | 204499   | PIPING FOOT                 | 1   |      |
| 2           | 204500   | PIPING FOOT                 | 1   |      |
| 2           | 204501   | PIPING FOOT                 | 1   |      |
| 3           | 204502   | PIPING FOOT                 | 1   |      |
| 3           | 204503   | PIPING FOOT                 | 1   |      |
| 3           | 204504   | PIPING FOOT                 | 1   |      |
| 4           | 204505   | PIPING FOOT                 | 1   |      |
| 4           | 204506   | PIPING FOOT                 | 1   |      |
| 4           | 204507   | PIPING FOOT                 | 1   |      |
| 5           | 204508   | PIPING FOOT                 | 1   |      |
| 5           | 204509   | PIPING FOOT                 | 1   |      |
| 5           | 204510   | PIPING FOOT                 | 1   |      |
| 6           | 204511   | PIPING FOOT                 | 1   |      |
| 6           | 204512   | PIPING FOOT                 | 1   |      |
| 6           | 204513   | PIPING FOOT                 | 1   |      |
| 7           | 204514   | PIPING FOOT                 | 1   |      |
| 7           | 204515   | PIPING FOOT                 | 1   |      |
| 7           | 204516   | PIPING FOOT                 | 1   |      |
| 8           | 204990   | UPPER LOOPER                | 1   |      |
| 9           | 204991   | LOWER LOOPER                | 1   |      |
| 10          | 204906   | PRESSER FOOT FINGER         | 1   |      |
| 11          | 202281   | WELT GUIDE EXTENSION/TRICOT | 1   |      |
| 12          | 202875   | WASHER                      | 1   |      |

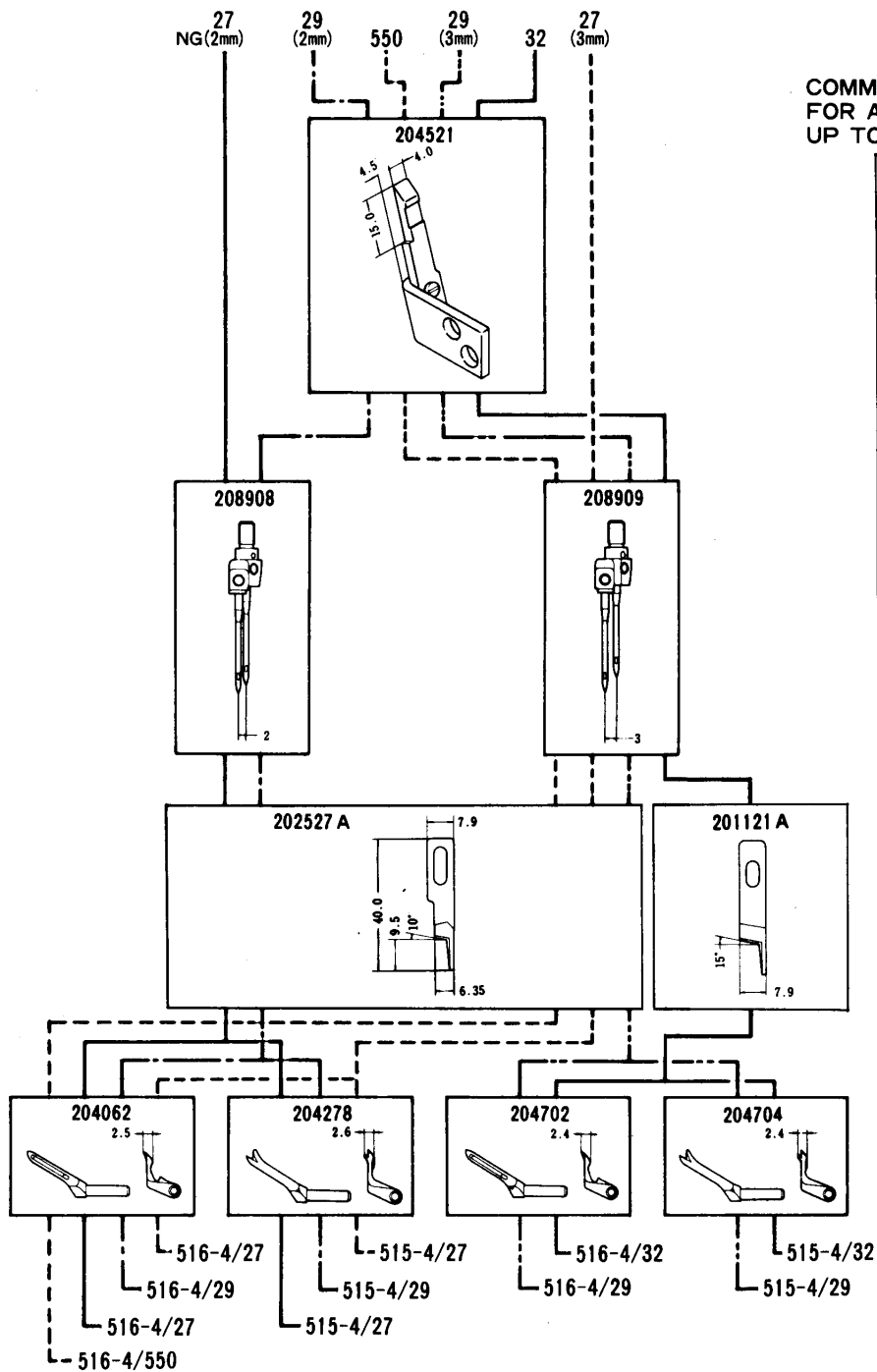
**GAUGE PARTS  
CONSTRUCTION CHART**

Feed pattern : 2N(2-row narrow)

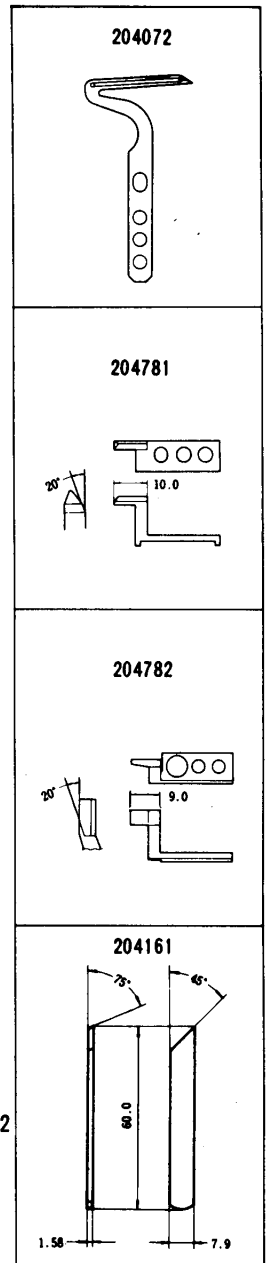
**516 (515) -4/27, 29, 32**  
**516-4/550**








NG = Needle Gauge  
SW = Seam Width



COMMON GAUGE PARTS  
FOR ALL MACHINE TYPES  
UP TO PAGE 89

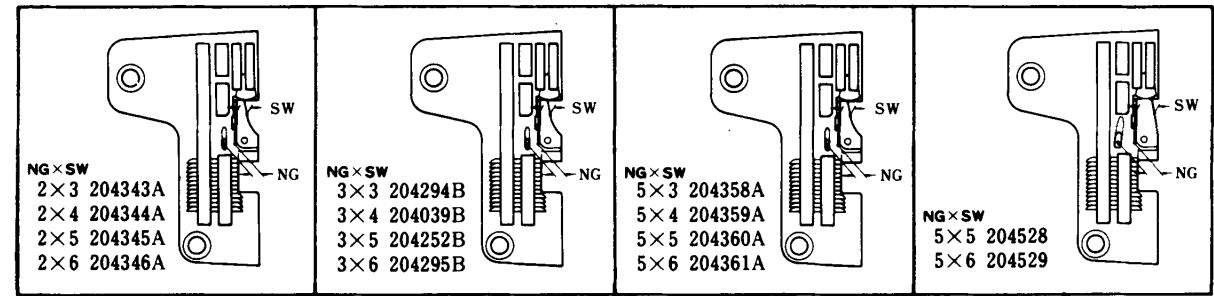


|  |  |  |  | MEMO |          |
|---|---|---|---|------|---|
| 516(515)<br>-4/27   | 2   | 3, 4, 5, 6  | 0.6~2   |      | Fine tooth pitch makes this ideal for seaming on permapress fabrics, nylon linings etc.       |
|   | 3   | 3, 4, 5, 6  | 0.6~2   |      |   |
| 516(515)<br>-4/29   | 2   | 3, 4, 5, 6  | 0.6~2   |      | For general seaming on woven or knit fabrics such as slacks, pajamas, shirts, sweatpants etc. |
|   | 3   | 3, 4, 5, 6  | 0.6~2   |      |   |
| 516(515)<br>-4/32   | 3   | 3, 4, 5, 6  | 0.6~2   |      | For seaming on heavyweight materials.   |
| 516-4/550   | 3   | 4, 5  | 0.7~2   |      | Fitted with a binding attachment to insert a tape inside seam. Ensures high quality results.  |

**GAUGE PARTS  
CONSTRUCTION CHART**

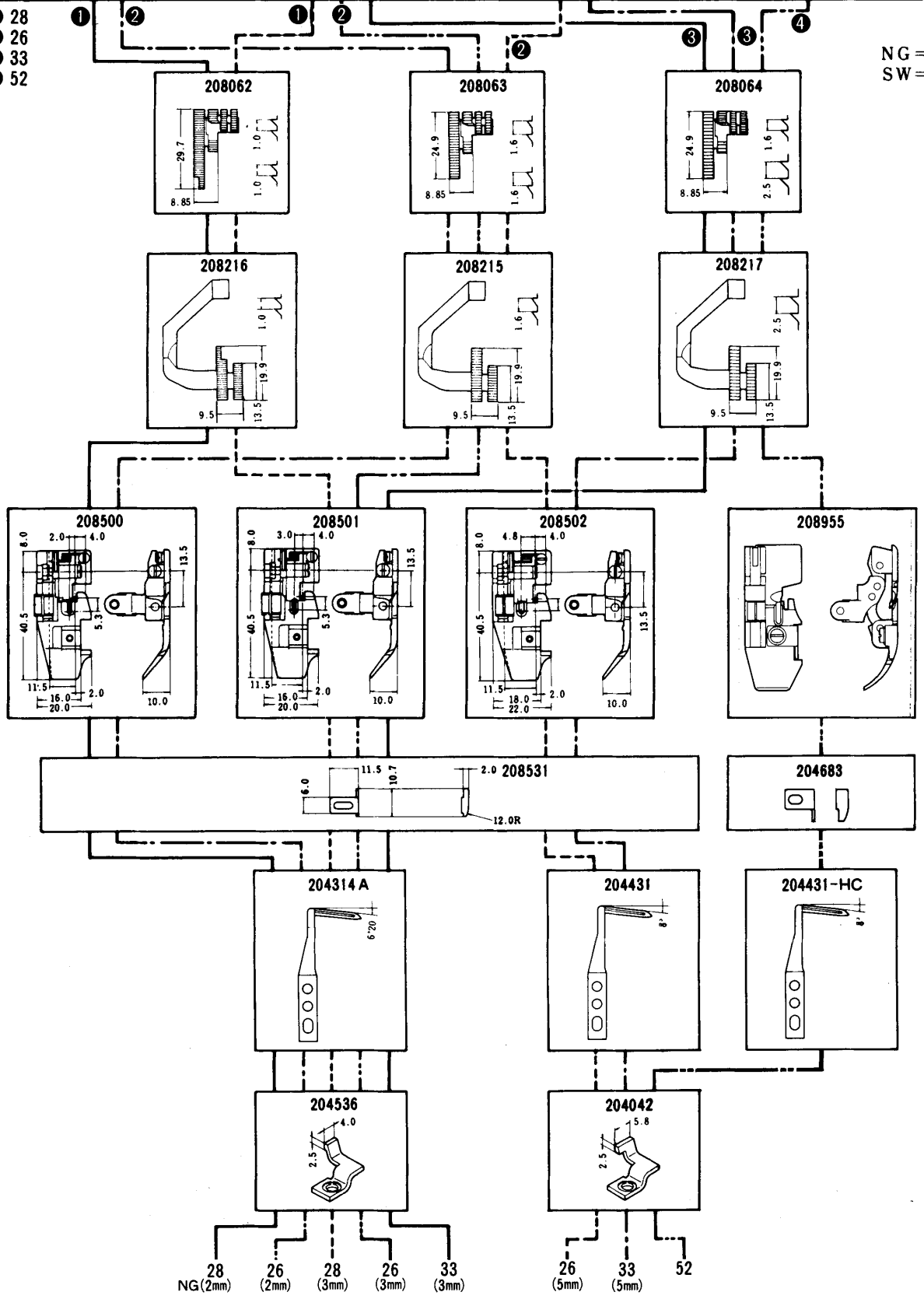
**516 (515) -4/28, 26, 33, 52**

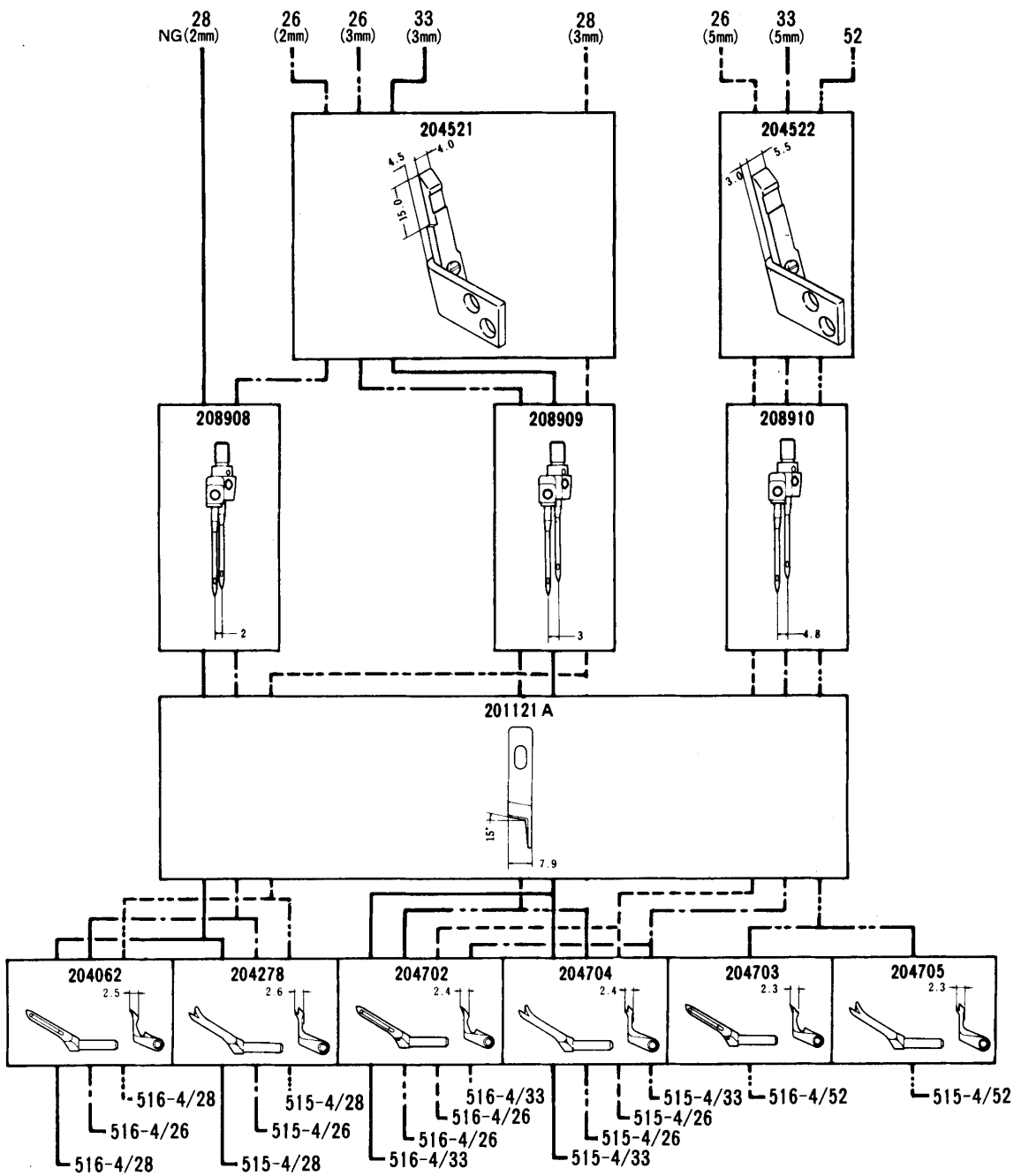
Feed pattern : 2W(2-row wide)








- ① 28
- ② 26
- ③ 33
- ④ 52

NG = Needle Gauge  
SW = Seam Width



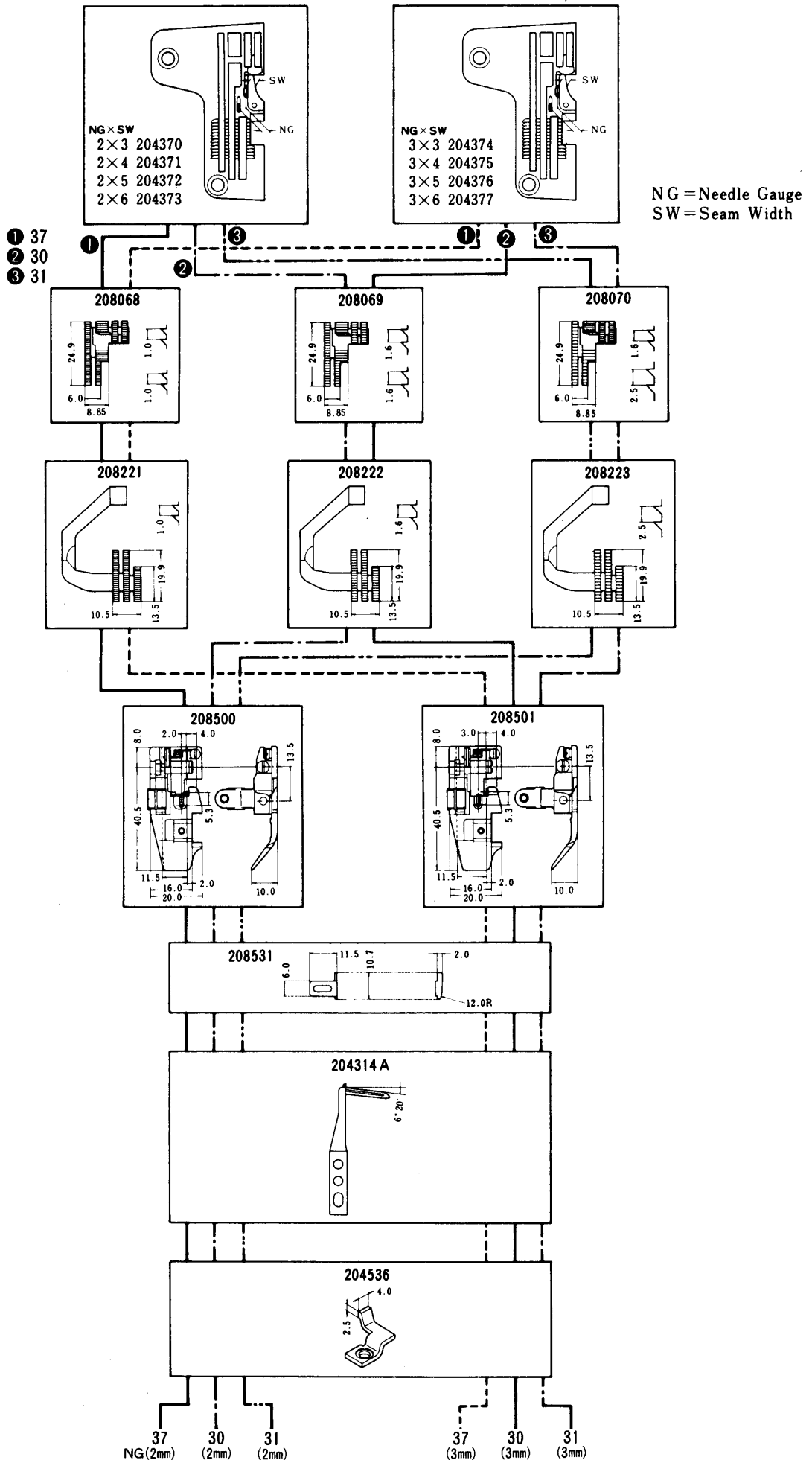


|  |  |  |  | MEMO |          |
|---|---|---|---|------|---|
| 516(515)<br>-4/28   | 2   | 3, 4, 5, 6  | 0.6~2   |      | Fine tooth pitch makes this ideal for seaming on permappress fabrics, nylon linings etc.      |
|   | 3   | 3, 4, 5, 6  | 0.6~2   |      |   |
| 516(515)<br>-4/26   | 2   | 3, 4, 5, 6  | 0.6~2   |      | For general seaming on woven or knit fabrics such as slacks, pajamas, shirts, sweatpants etc. |
|   | 3   | 3, 4, 5, 6  | 0.6~2   |      |   |
|   | 5   | 3, 4, 5, 6  | 0.6~2   |      |   |
| 516(515)<br>-4/33   | 3   | 3, 4, 5, 6  | 0.6~2   |      | For seaming on heavyweight materials.   |
|   | 5   | 3, 4, 5, 6  | 0.6~2   |      |   |
| 516(515)<br>-4/52   | 5   | 5, 6  | 0.6~2   |      | Fitted with caterpillar foot for trouble-free seaming on jeans, workwear etc.                 |

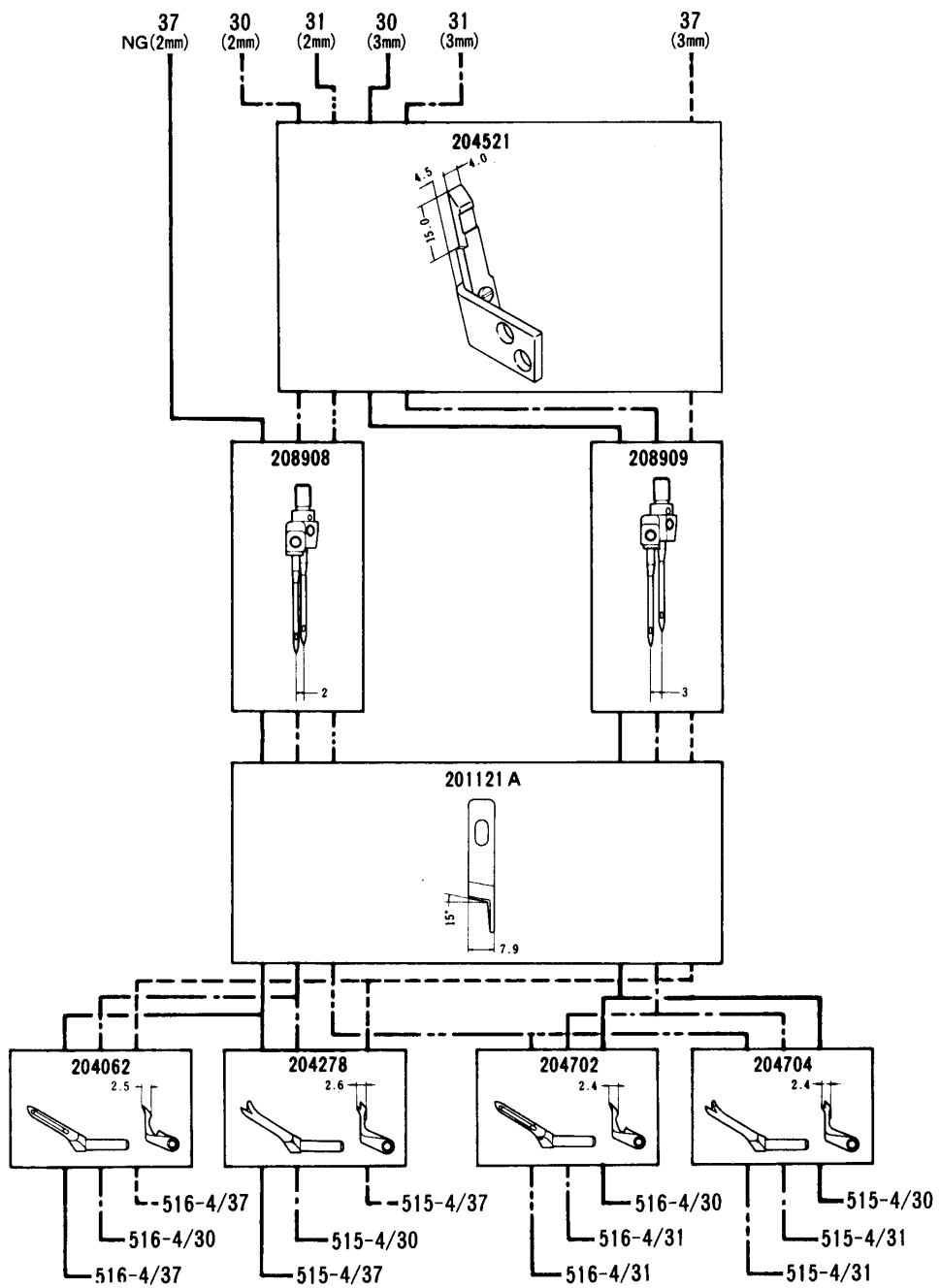
**GAUGE PARTS  
CONSTRUCTION CHART**






**516 (515) -4/37, 30, 31 (NG=2mm·3mm)**

Feed pattern : 3W(3-row wide)





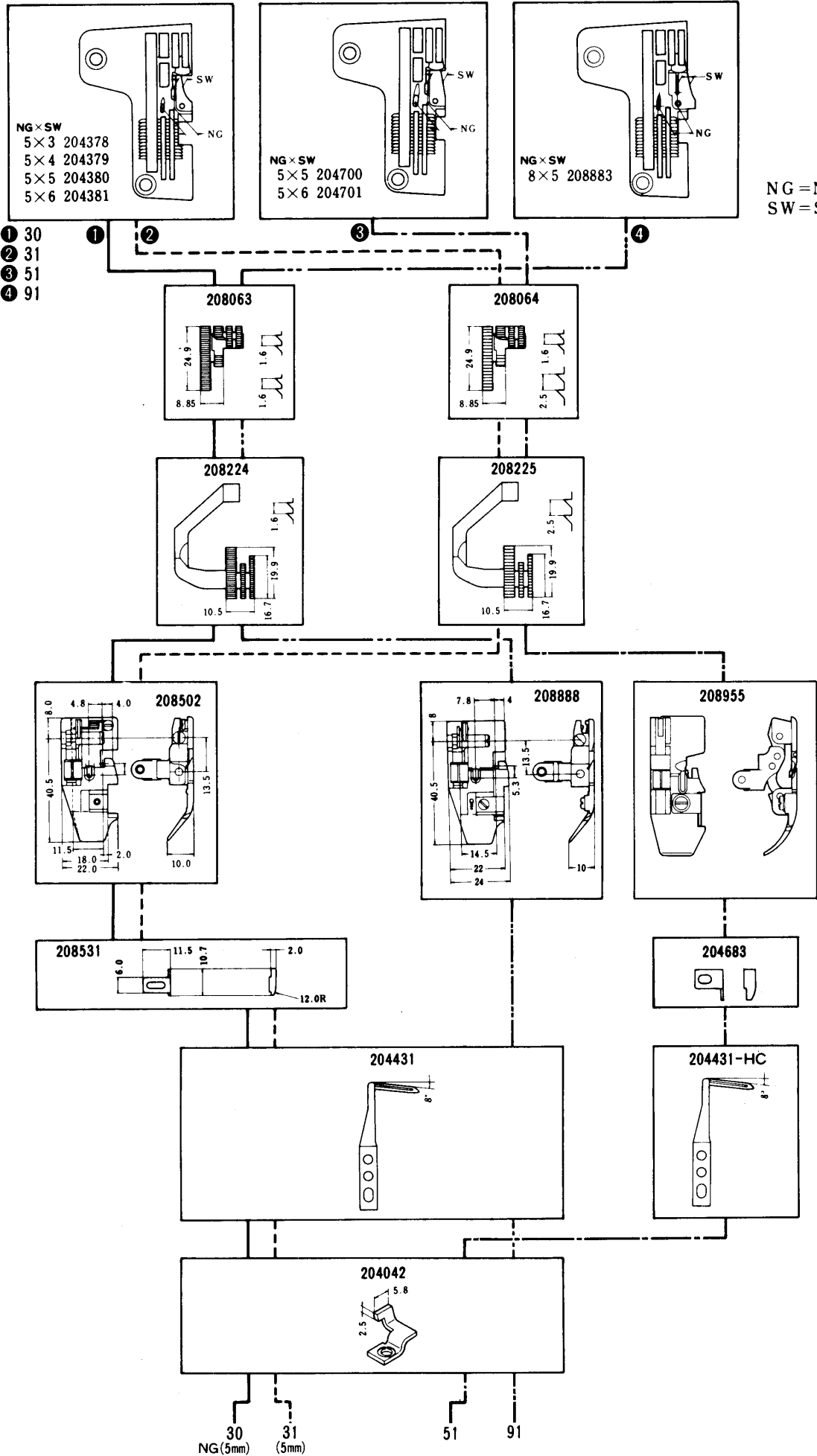


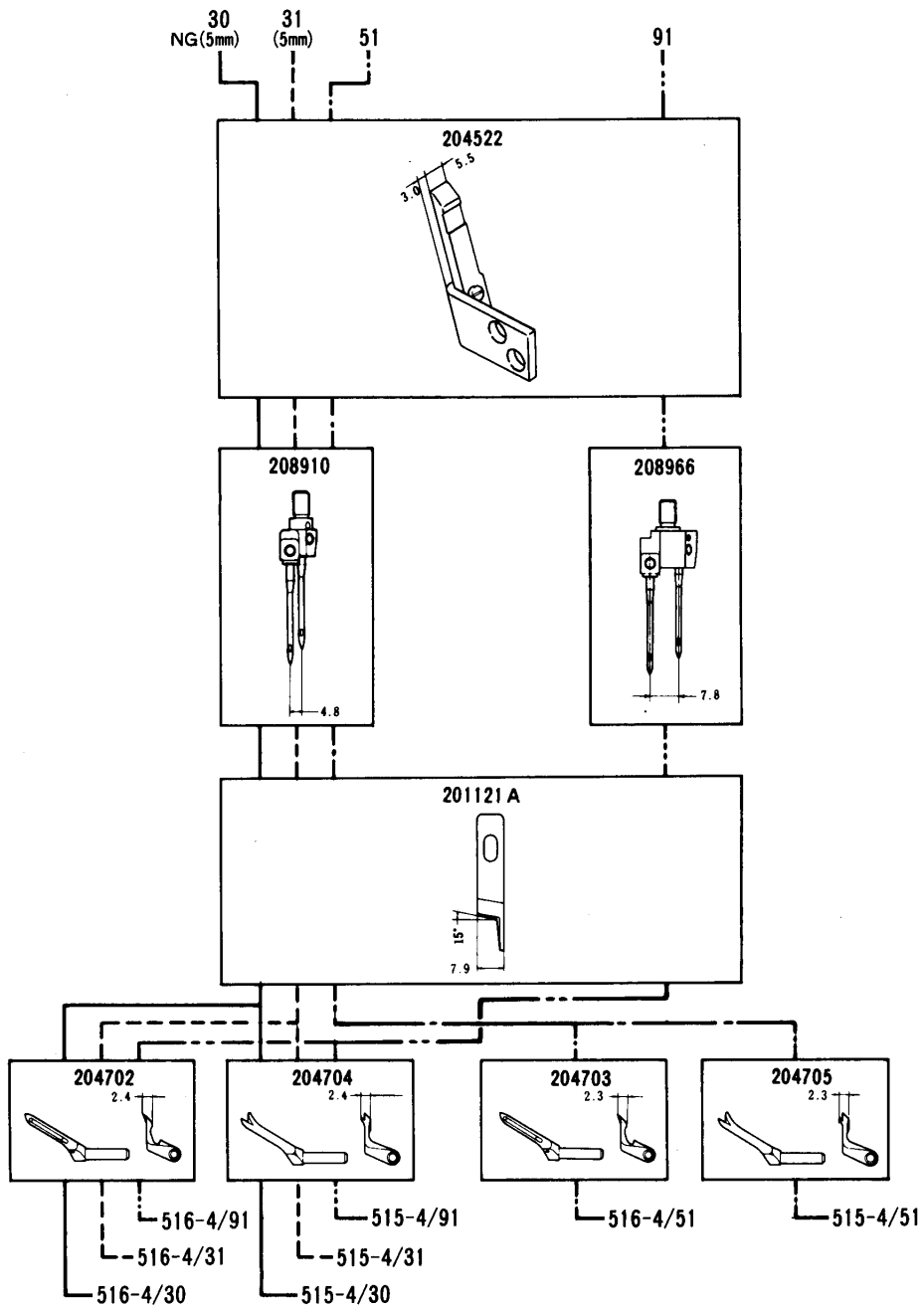
|  |  |  |  | MEMO |          |
|---|---|---|---|------|---|
| 516(515)<br>-4/37   | 2   | 3, 4, 5, 6  | 0.6 ~ 2   |      | Fine tooth pitch makes this ideal for seaming on permapress fabrics, nylon linings etc.       |
|   | 3   | 3, 4, 5, 6  | 0.6 ~ 2   |      |   |
| 516(515)<br>-4/30   | 2   | 3, 4, 5, 6  | 0.6 ~ 2   |      | For general seaming on woven or knit fabrics such as slacks, pajamas, shirts, sweatpants etc. |
|   | 3   | 3, 4, 5, 6  | 0.6 ~ 2   |      |   |
| 516(515)<br>-4/31   | 2   | 3, 4, 5, 6  | 0.6 ~ 2   |      | For seaming on heavyweight materials.   |
|   | 3   | 3, 4, 5, 6  | 0.6 ~ 2   |      |   |






**GAUGE PARTS  
CONSTRUCTION CHART**

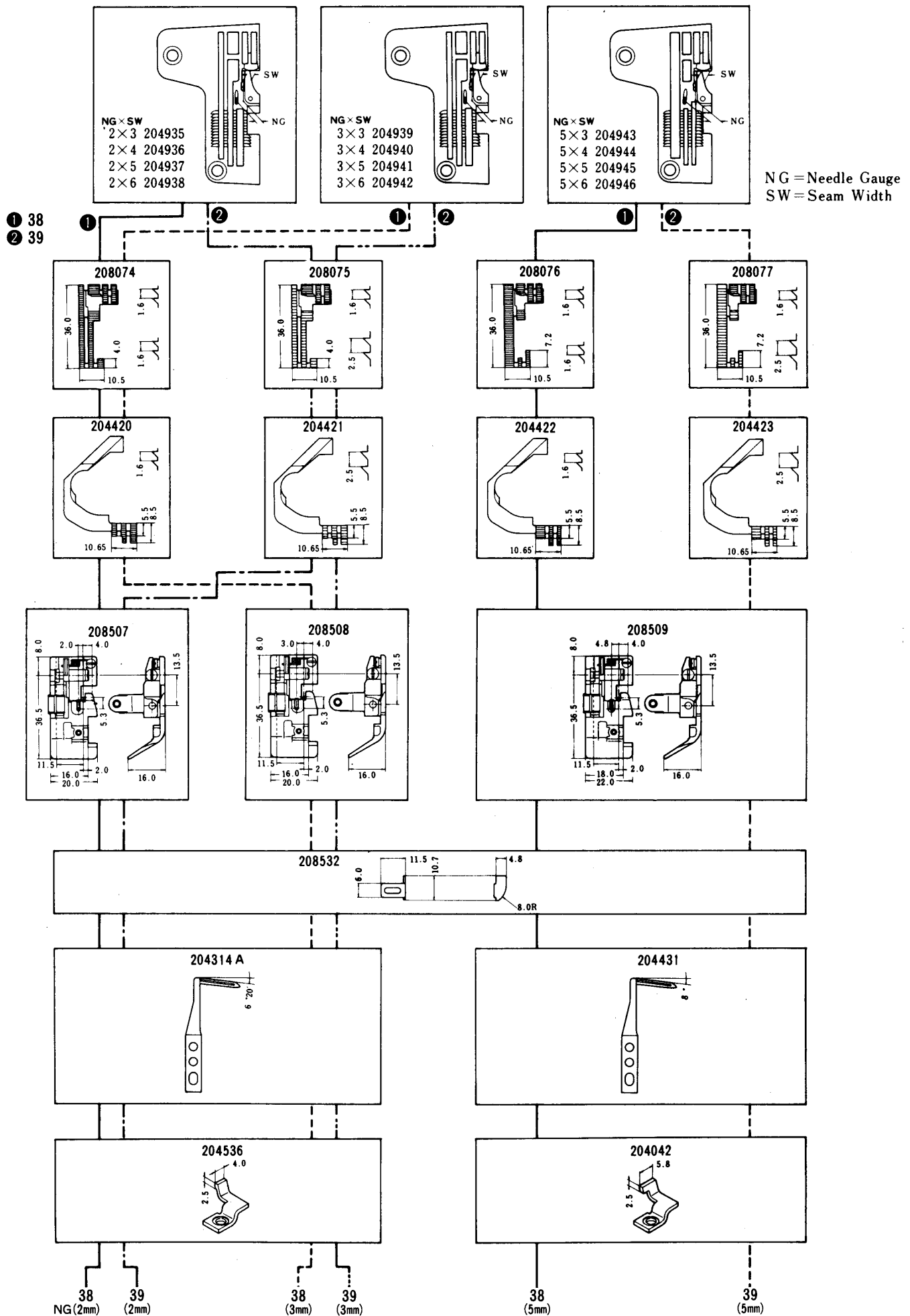
Feed pattern : 3W(3-row wide)

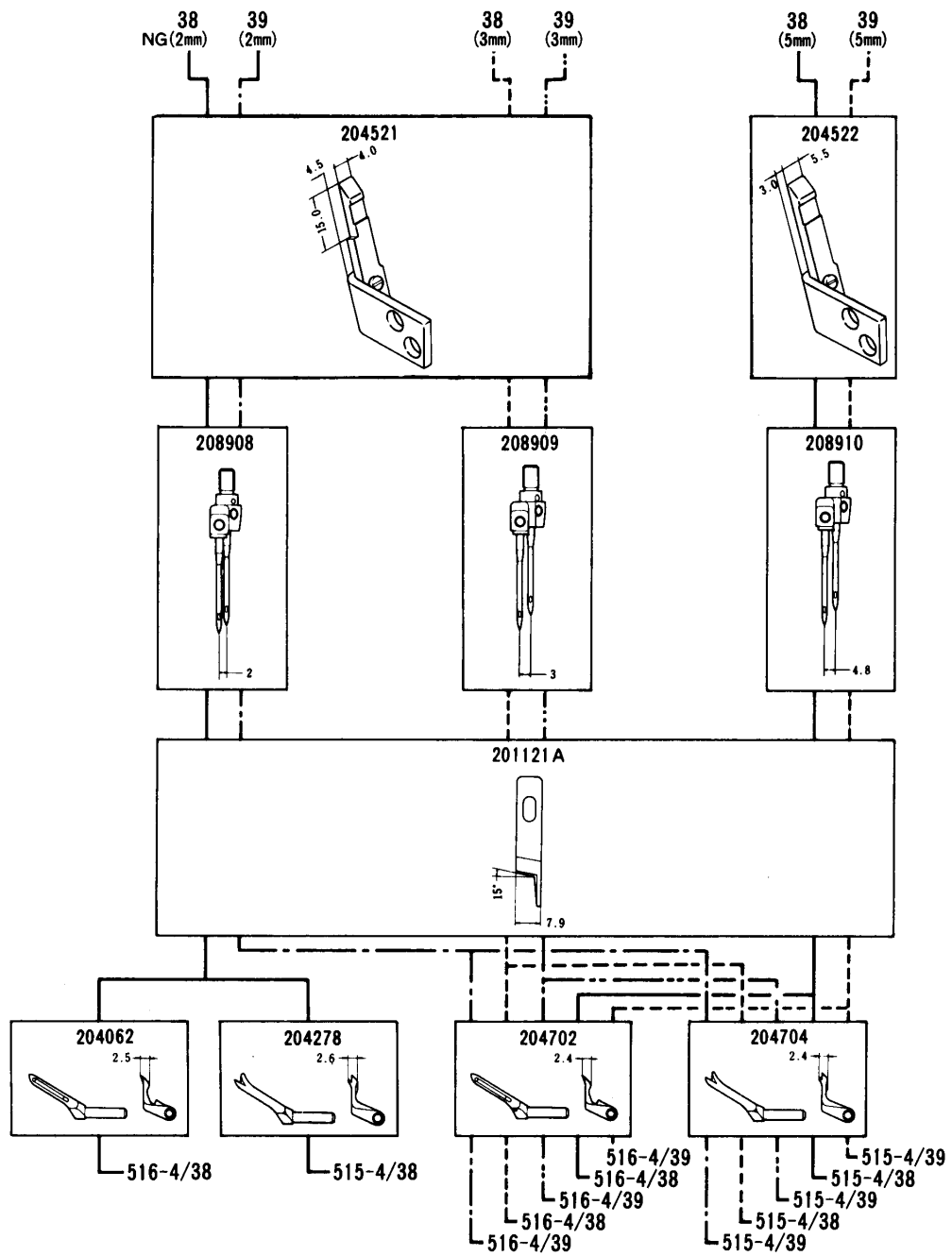
**516 (515) -4/30, 31 (NG=5mm)**  
**516 (515) -4/51, 91**










|  |  |  |  | MEMO |          |
|---|---|---|---|------|---|
| 516(515)<br>-4/30   | 5   | 3, 4, 5, 6  | 0.6~2   |      | For general seaming on woven or knit fabrics such as slacks, pajamas, shirts, sweatpants etc. |
| 516(515)<br>-4/31   | 5   | 3, 4, 5, 6  | 0.6~2   |      | For seaming on heavyweight materials.   |
| 516(515)<br>-4/51   | 5   | 5, 6  | 0.6~2   |      | Fitted with caterpillar foot for trouble-free seaming on jeans, workwear etc.                 |
| 516(515)<br>-4/91   | 8   | 5   | 0.6~2   |      | Extra wide needle gauge.<br>Seaming on light to medium woven or knit fabrics such as blouse.  |



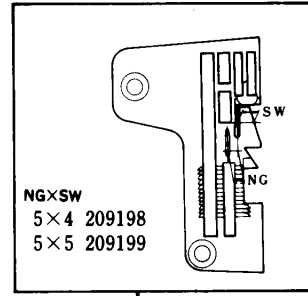
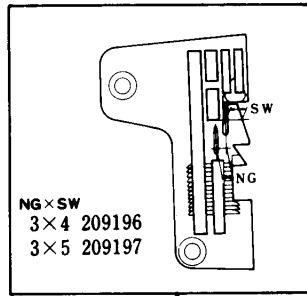


|  |  |  |  | MEMO |            |
|---|---|---|---|------|---|
| 516(515)<br>-4/38   | 2   | 3, 4, 5, 6  | 1~3   |      | For intermittent shirring on light to medium weight materials such as negligee, curtains etc.   |
|   | 3   | 3, 4, 5, 6  | 1~3   |      |   |
|   | 5   | 3, 4, 5, 6  | 1~3   |      |   |
| 516(515)<br>-4/39   | 2   | 3, 4, 5, 6  | 1~3   |      | For intermittent shirring on heavy weight materials such as curtains, bed spreaders, gowns etc. |
|   | 3   | 3, 4, 5, 6  | 1~3   |      |   |
|   | 5   | 3, 4, 5, 6  | 1~3   |      |   |

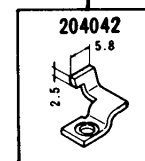
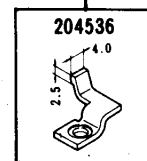
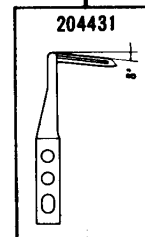
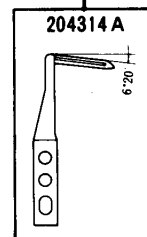
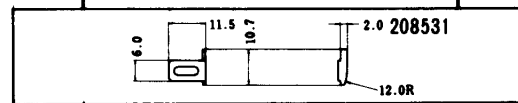
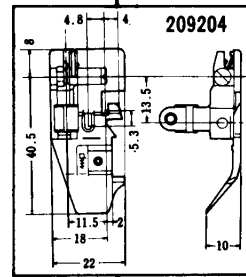
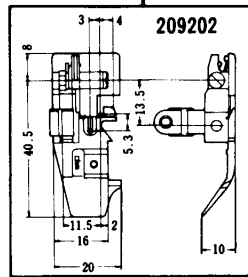
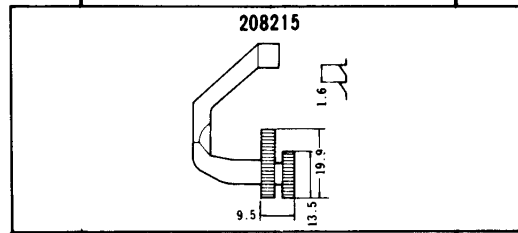
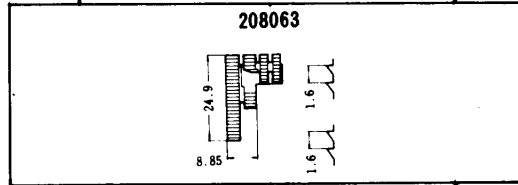
**GAUGE PARTS  
CONSTRUCTION CHART**

**516-4/551**

Feed pattern : 2W(2-row wide)

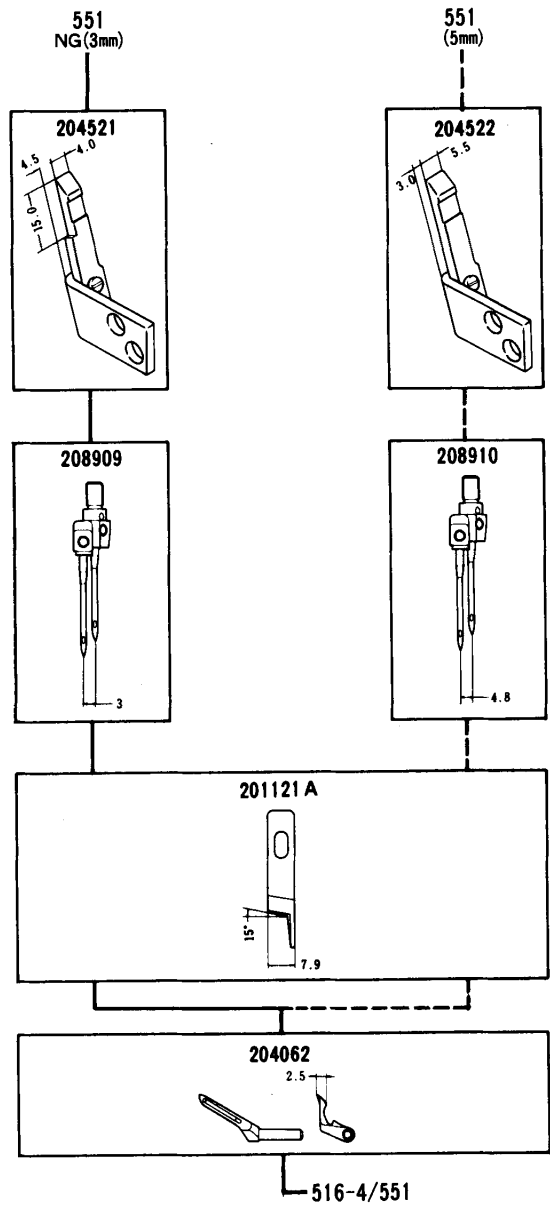







NG = Needle Gauge  
SW = Seam Width



**551**  
NG(3mm)

**551**  
(5mm)

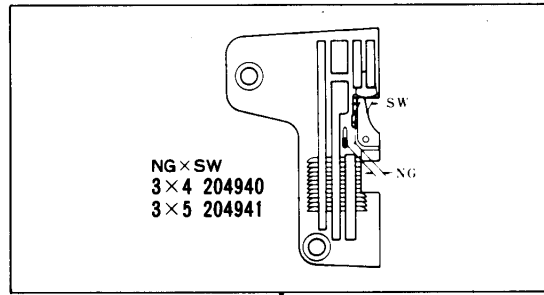


|   |   |   |   |      |  |
|---|---|---|---|------|--|
|  |  |  |  | MEMO |         |
| 516-4/551   | 3<br>5  | 4,5   | 0.7~2   |      | Fitted with a binding attachment to insert a tape inside seam. Ensures high quality results. |

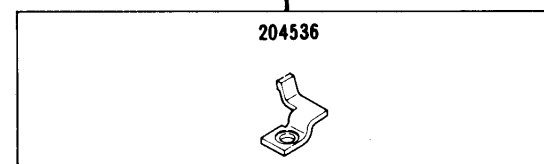
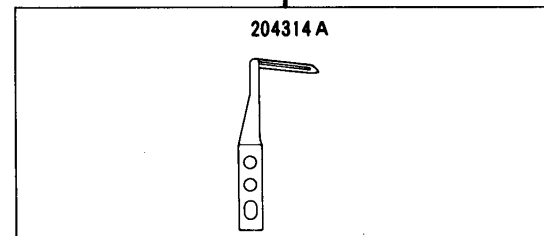
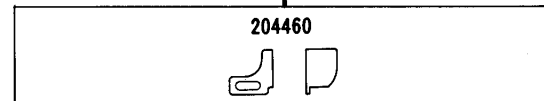
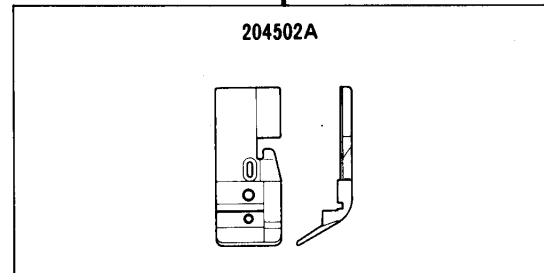
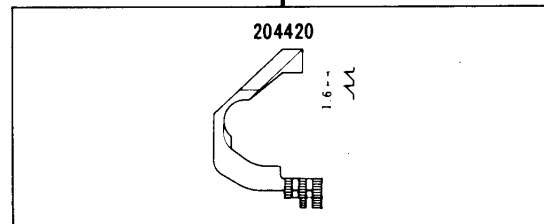
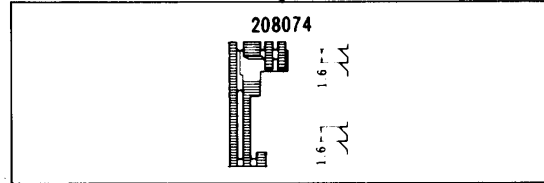
**GAUGE PARTS  
CONSTRUCTION CHART**

Feed pattern : 3W (3-row wide)

**516-4/38P1 (P2)**



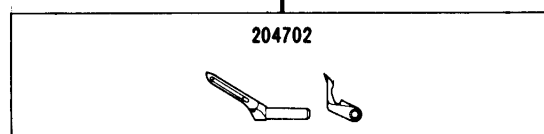
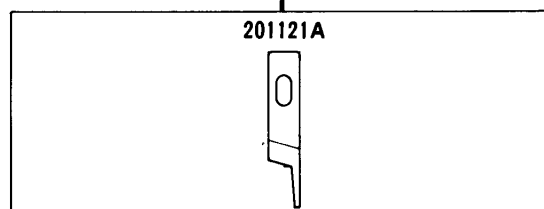
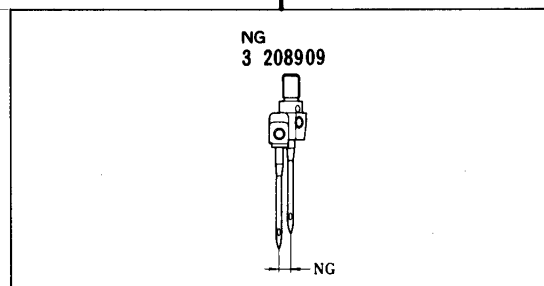
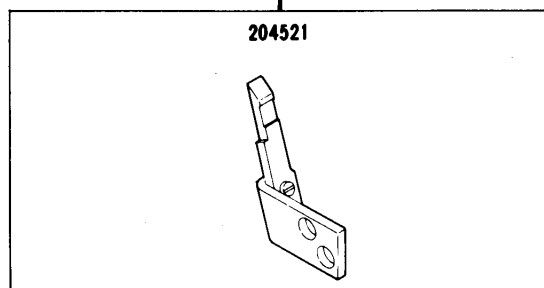
NG = Needle Gauge  
SW = Seam Width








38P1(P2)

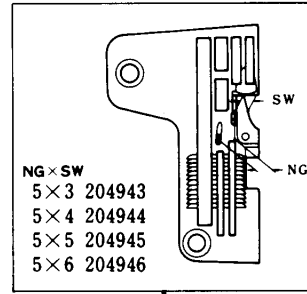
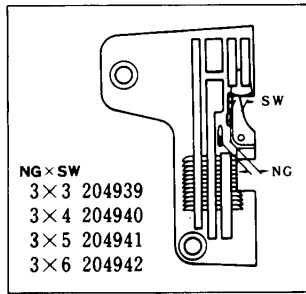


38P1(P2)

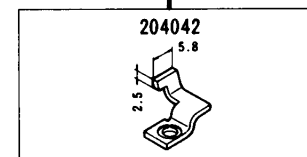
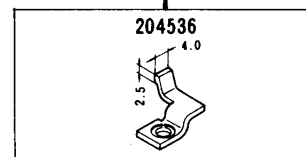
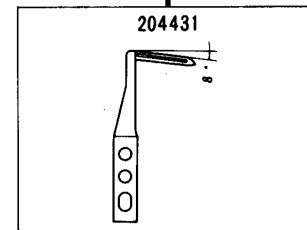
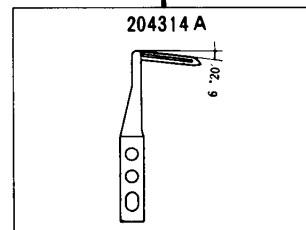
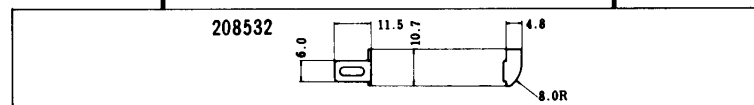
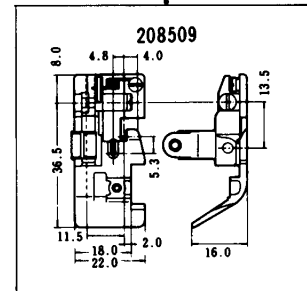
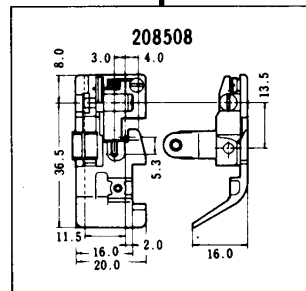
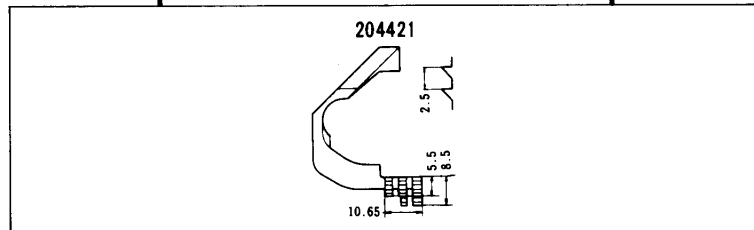
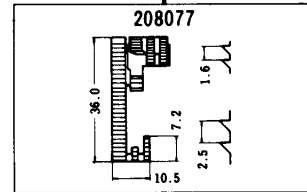
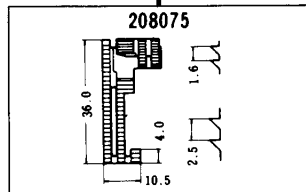


516-4/38P1(P2)

|  |  mm |  |  | MEMO |                                        |
|---|--|---|---|------|---|
| 516-4/38P1  | 3  | 4,5   | 1 ~ 3   |      | For shirring/piping on light to medium weight fabrics such as knit shirts, sweat pants, pajamas, womens' and kids' clothes. |
| 516-4/38P2  |  |   |   |      |   |

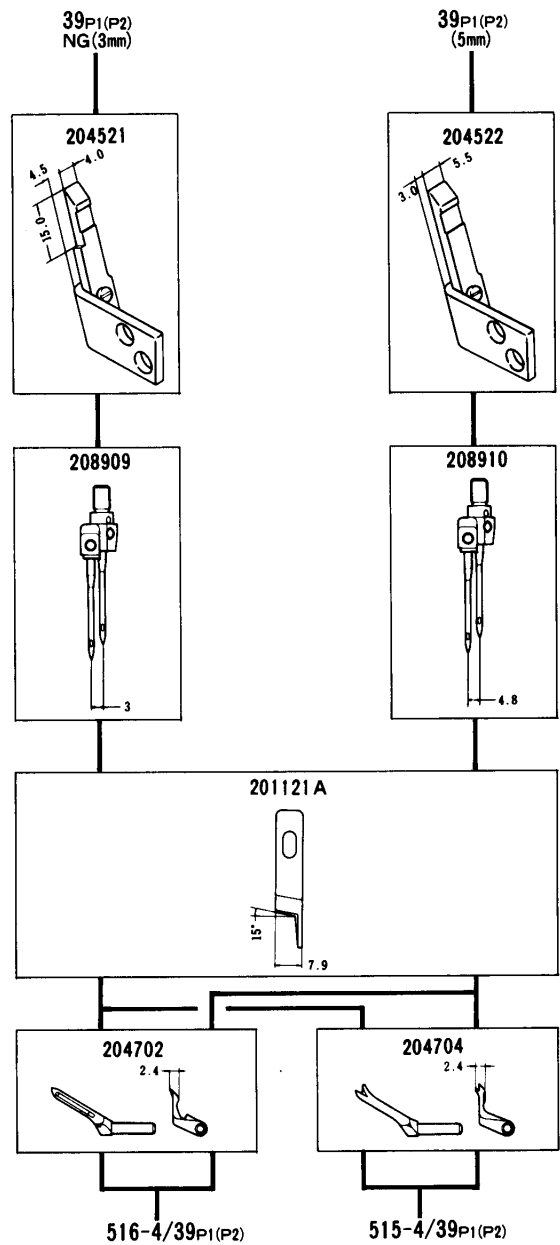


NG = Needle Gauge  
 SW = Seam Width



39P1 (P2)  
 NG (3mm)

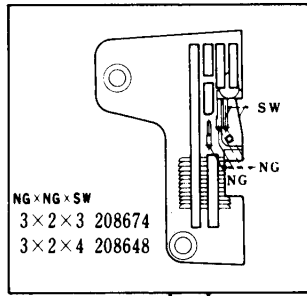
39P1 (P2)  
 (5mm)



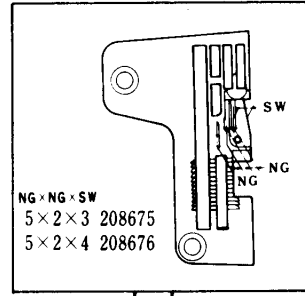
**GAUGE PARTS  
CONSTRUCTION CHART**

**355, 359, 555, 559**

Feed pattern : 2N (2-row narrow)  
2W (2-row wide)

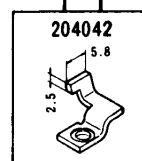
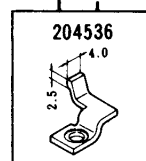
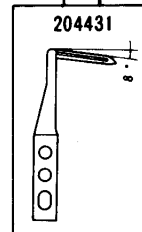
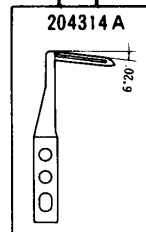
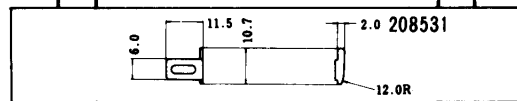
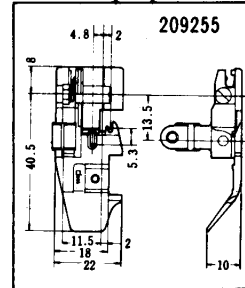
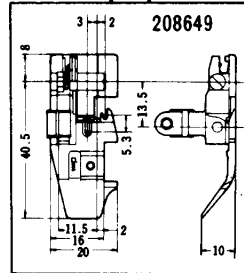
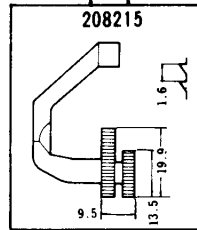
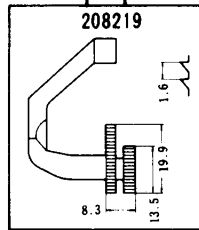
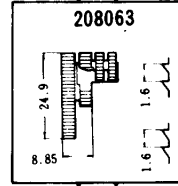
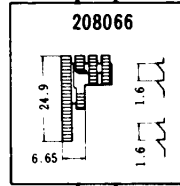


355 359



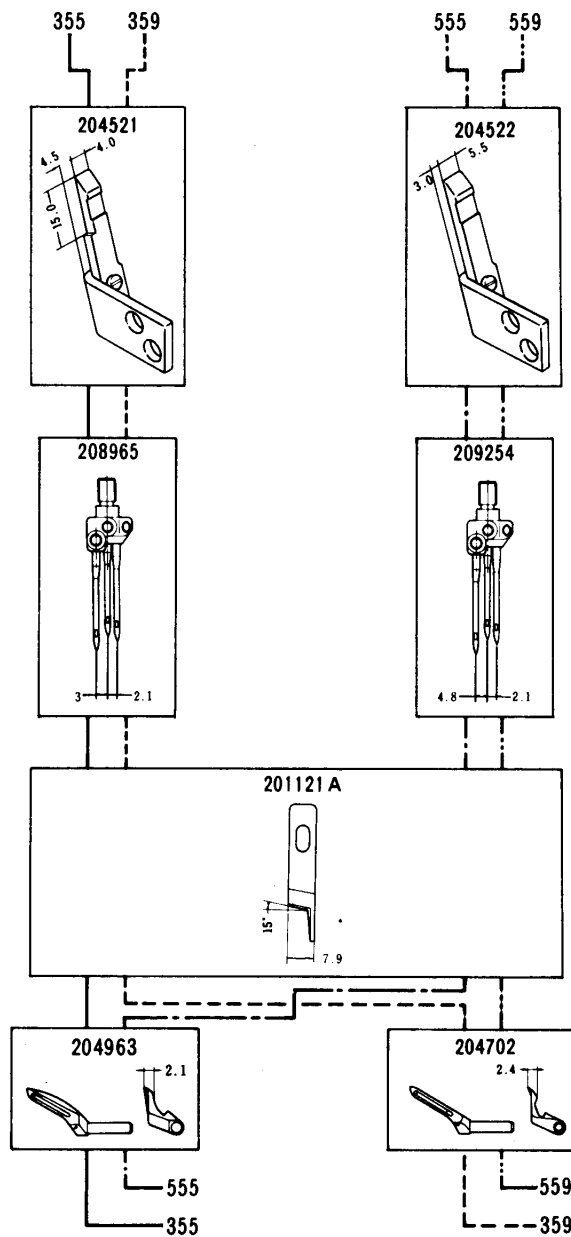
555 559

NG = Needle Gauge  
SW = Seam Width

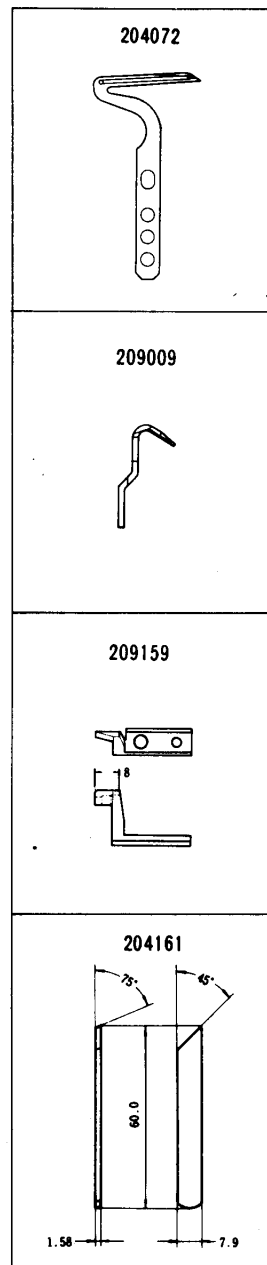







355 359

555 559



COMMON GAUGE PARTS



|  |  |  |  | MEMO   |  |
|---|---|---|---|--|---|
| 355   | 3×2   | 3,4   | 0.6~2   | Versatile high speed machines. Five different stitch types make them especially suitable for short run, high fashion locations. Two further stitch types (503, 515) can be obtained merely by changing the upper looper. |   |
| 359   | 3×2   | 3,4   | 0.6~2   |  |   |
| 555   | 5×2   | 3,4   | 0.6~2   |  |   |
| 559   | 5×2   | 3,4   | 0.6~2   |  |   |

**GAUGE PARTS  
CONSTRUCTION CHART**

Feed pattern : 2-row  
Chaining land : no

505-4/25  
504-4/19

204072  
204991  
(514-4/18s1, 18s2, 18s4, 18s5)

201121A  
(Except  
514-4/18s4)

COMMON GAUGE PARTS  
FOR ALL MACHINE TYPES  
UP TO PAGE 123

SW  
2 202616  
3 202617  
4 202618  
5 204913

① 19  
② 25

204729A

204674

204730

NG = Needle Gauge  
SW = Seam Width

= Standard parts

= Optional parts

201152E

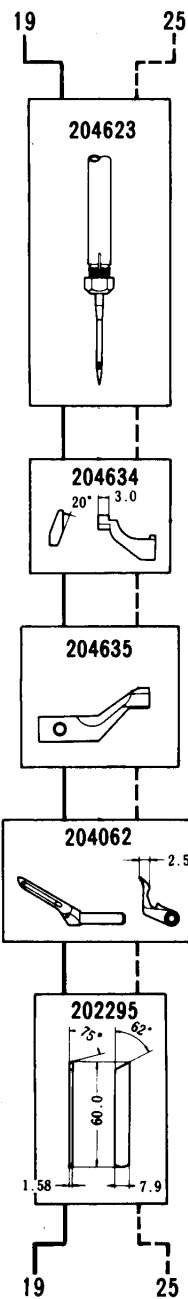
201473B

201155C

201224B

210584

25 19

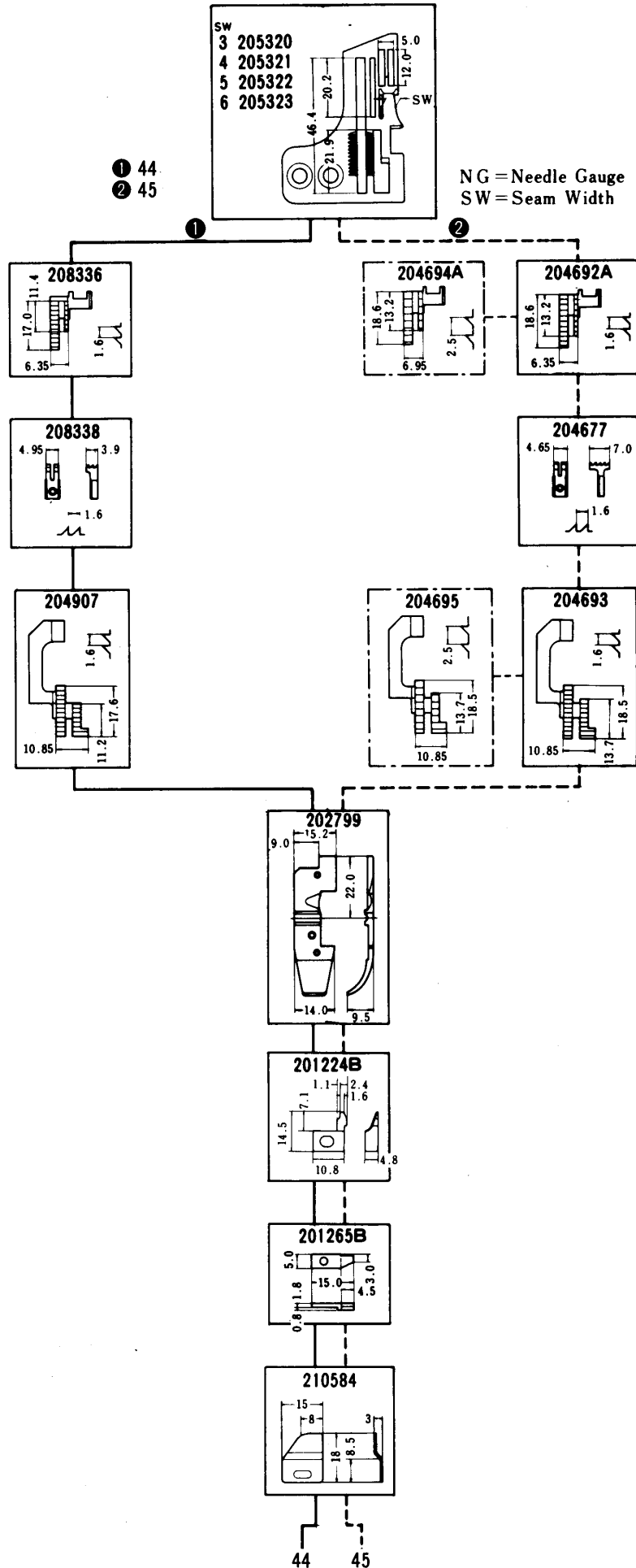


|          |            |     |       |      |  |
|----------|------------|-----|-------|------|--|
|          |            |     |       | MEMO |  |
| 505-4/25 | 2, 3, 4, 5 | 505 | 0.6~2 |      | Three thread blindstitch hemming on U-necked undershirts athletic shirts, mens and womens briefs etc.  |
| 504-4/19 | 2, 3, 4, 5 | 504 | 0.6~2 |      | For sleeve, side and shoulder closing operations on light to medium weight materials such as underwear and ladies' and children's outerwear. |

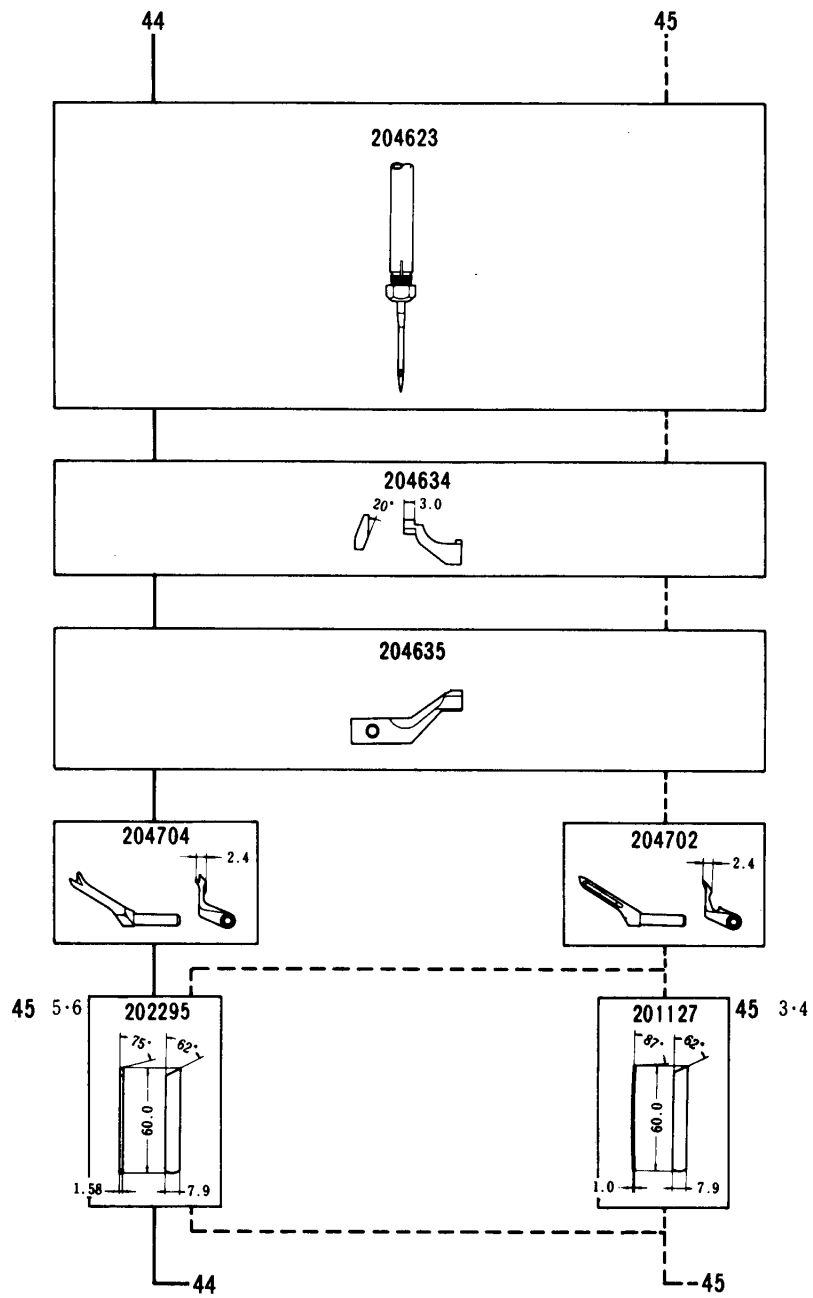
**GAUGE PARTS  
CONSTRUCTION CHART**






Feed pattern : 2-row  
Chaining land : yes

**503-4/44**  
**504-4/45**





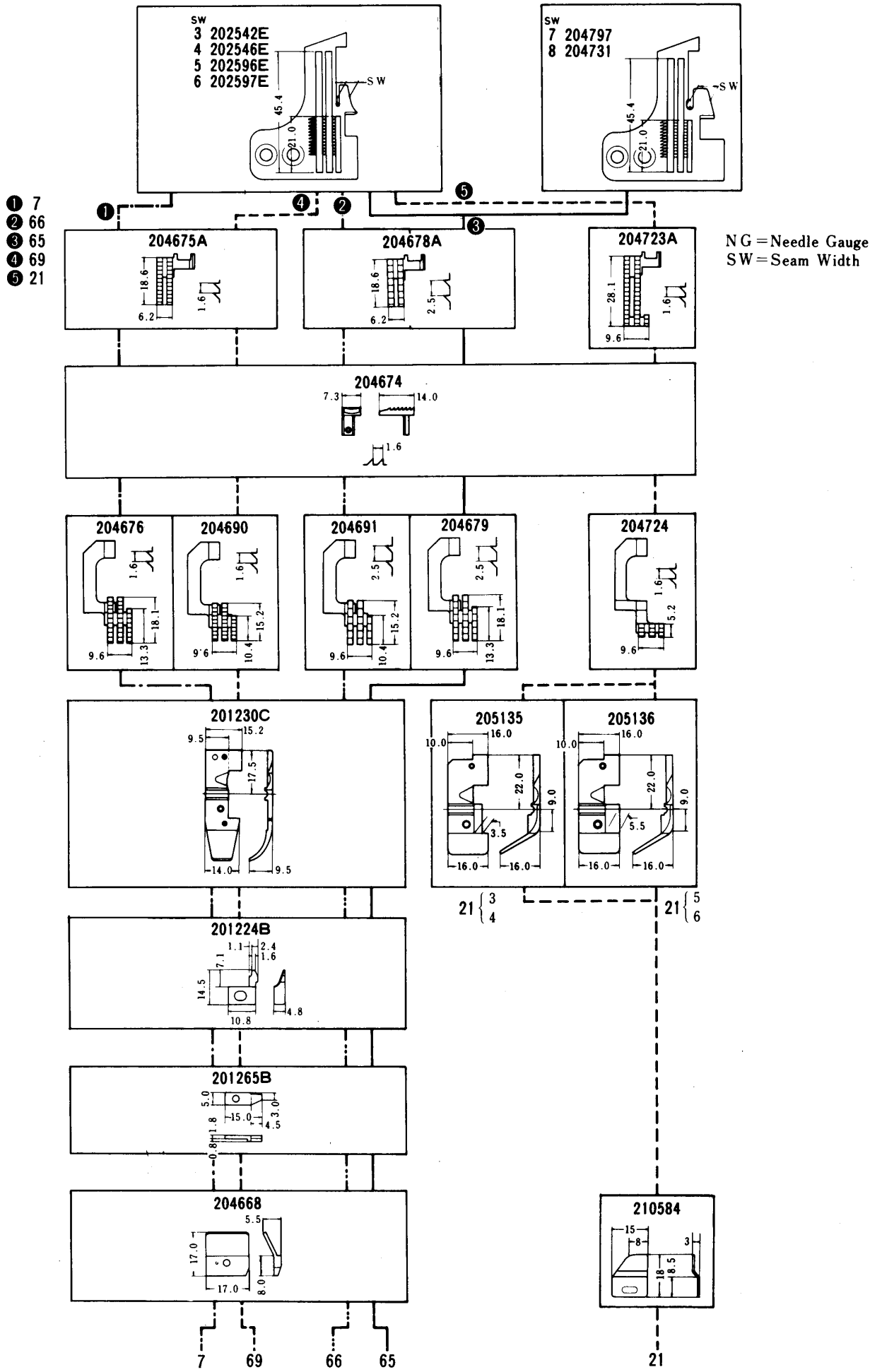


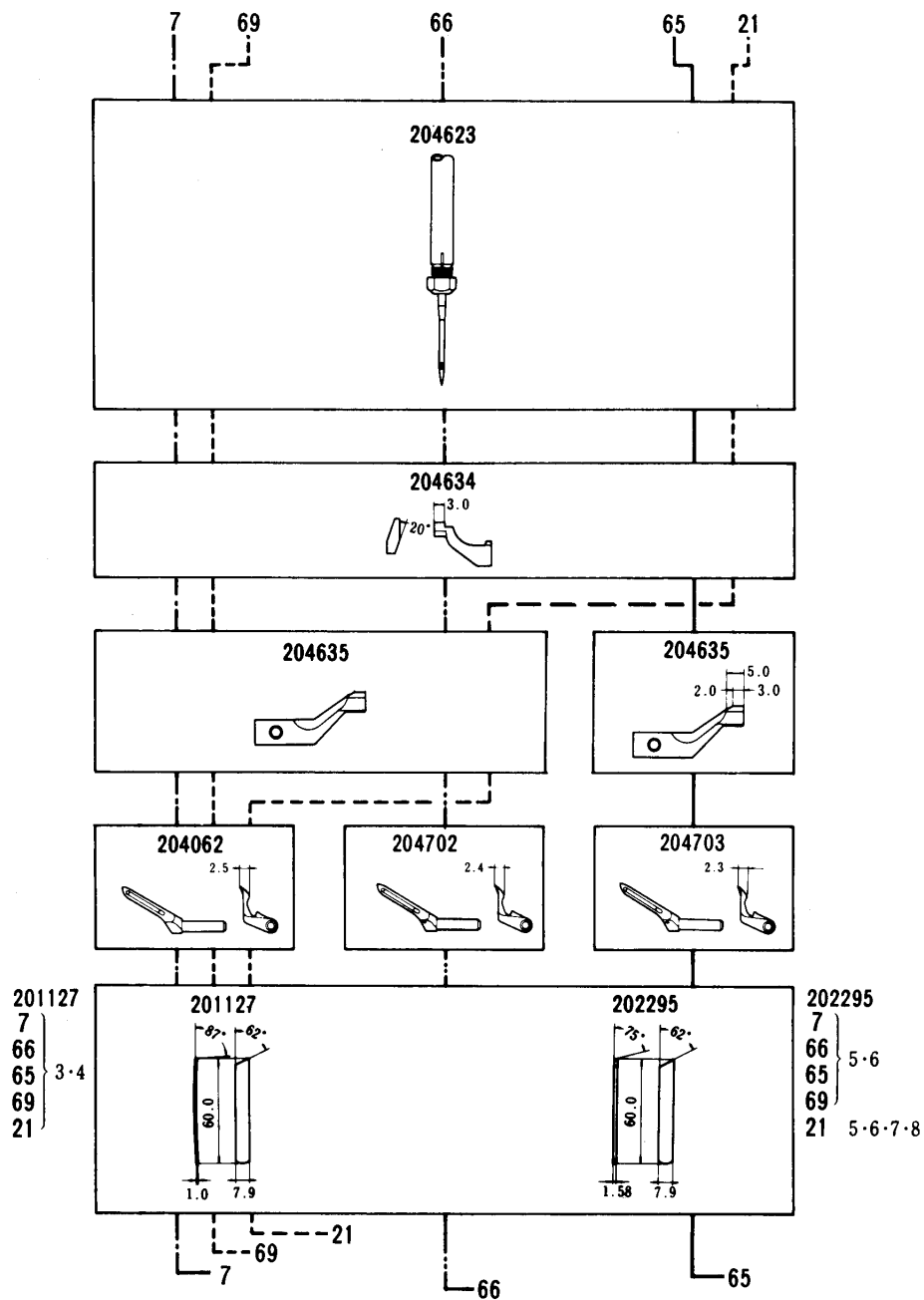
|  |  |  |  | MEMO |   |
|---|---|---|---|------|--|
| 503-4/44  | 3, 4, 5, 6  | 503   | 0.6~1.3   |      | General serging operations on slacks, jackets working wear etc.  |
| 504-4/45  | 3, 4, 5, 6  | 504   | 0.6~2   |      | For sleeve, side and shoulder closing operations on light to medium weight materials such as underwear and ladies' and children's outerwear. |

**GAUGE PARTS  
CONSTRUCTION CHART**

**504-4/7, 66, 65, 69, 21**

Feed pattern : 3-row  
Chaining land : no



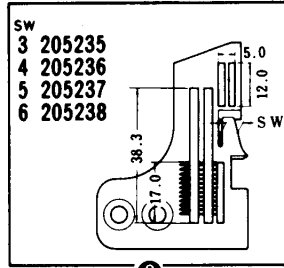
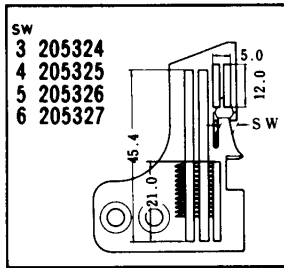


|          |                    |     |       | MEMO |  |
|----------|--------------------|-----|-------|------|--|
| 504-4/7  | 3, 4, 5, 6         | 504 | 0.6~2 |      | For sleeve, side and shoulder closing operations on light to medium weight materials such as underwear and ladies' and children's outerwear. |
| 504-4/66 | 3, 4, 5, 6         | 504 | 1~3   |      | Specially designed for seaming bulky knit materials such as sweaters, cardigans etc.   |
| 504-4/65 | 3, 4, 5, 6<br>7, 8 | 504 | 0.6~2 |      | Seaming or serging on extra heavy weight materials such as jeans.  |
| 504-4/69 | 3, 4, 5, 6         | 504 | 1~3   |      | For sleeve, side and shoulder closing operations on light to medium weight materials such as underwear and ladies' and children's outerwear. |
| 504-4/21 | 3, 4, 5, 6         | 504 | 1~3   |      | Single needle overedgers for intermittent shirring on light to medium weight materials such as negligee, curtains etc.                       |

**GAUGE PARTS  
CONSTRUCTION CHART**

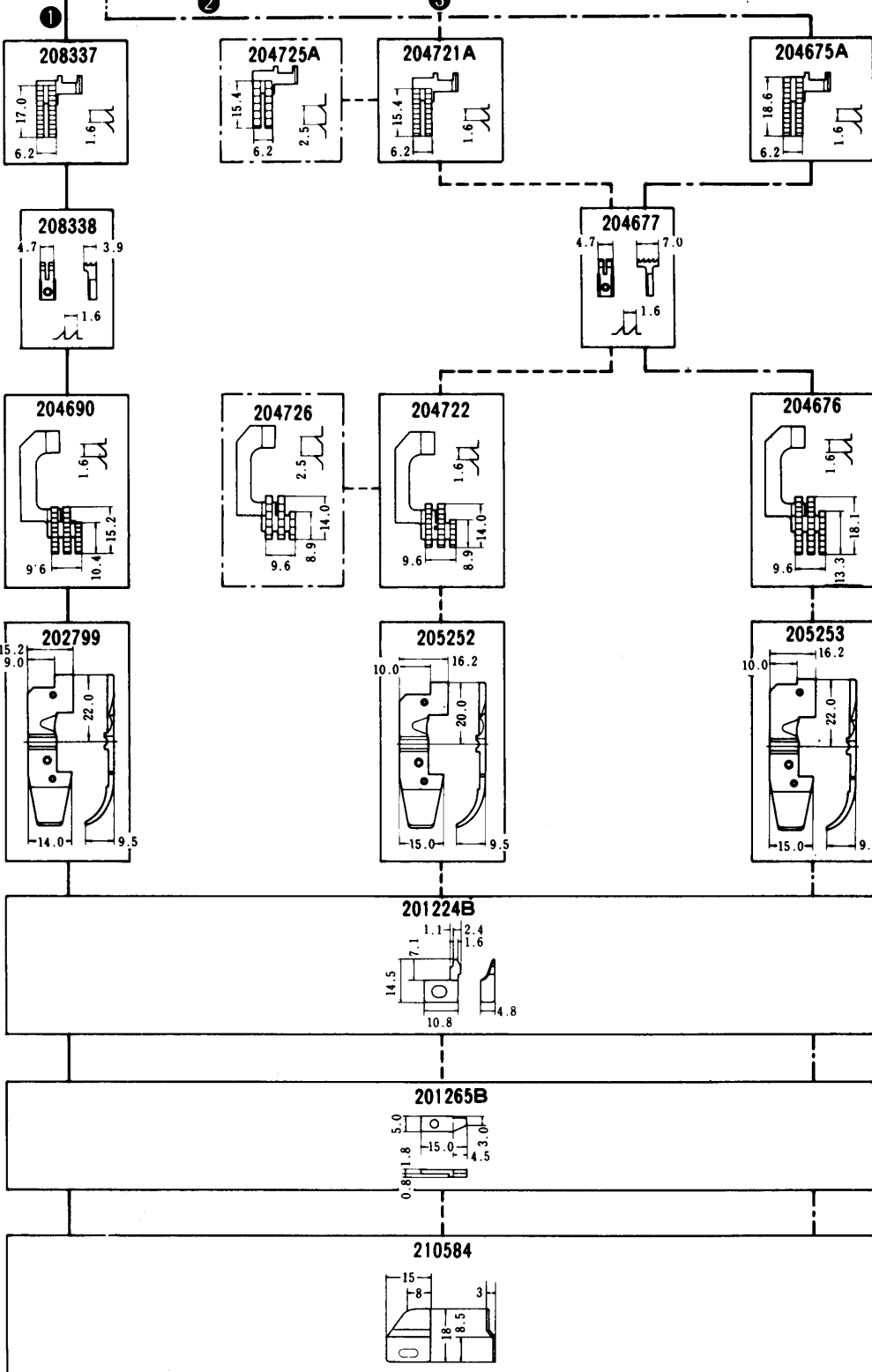
Feed pattern : 3-row  
Chaining land : yes

**503-4/48  
504-4/43, 47**



NG = Needle Gauge  
SW = Seam Width

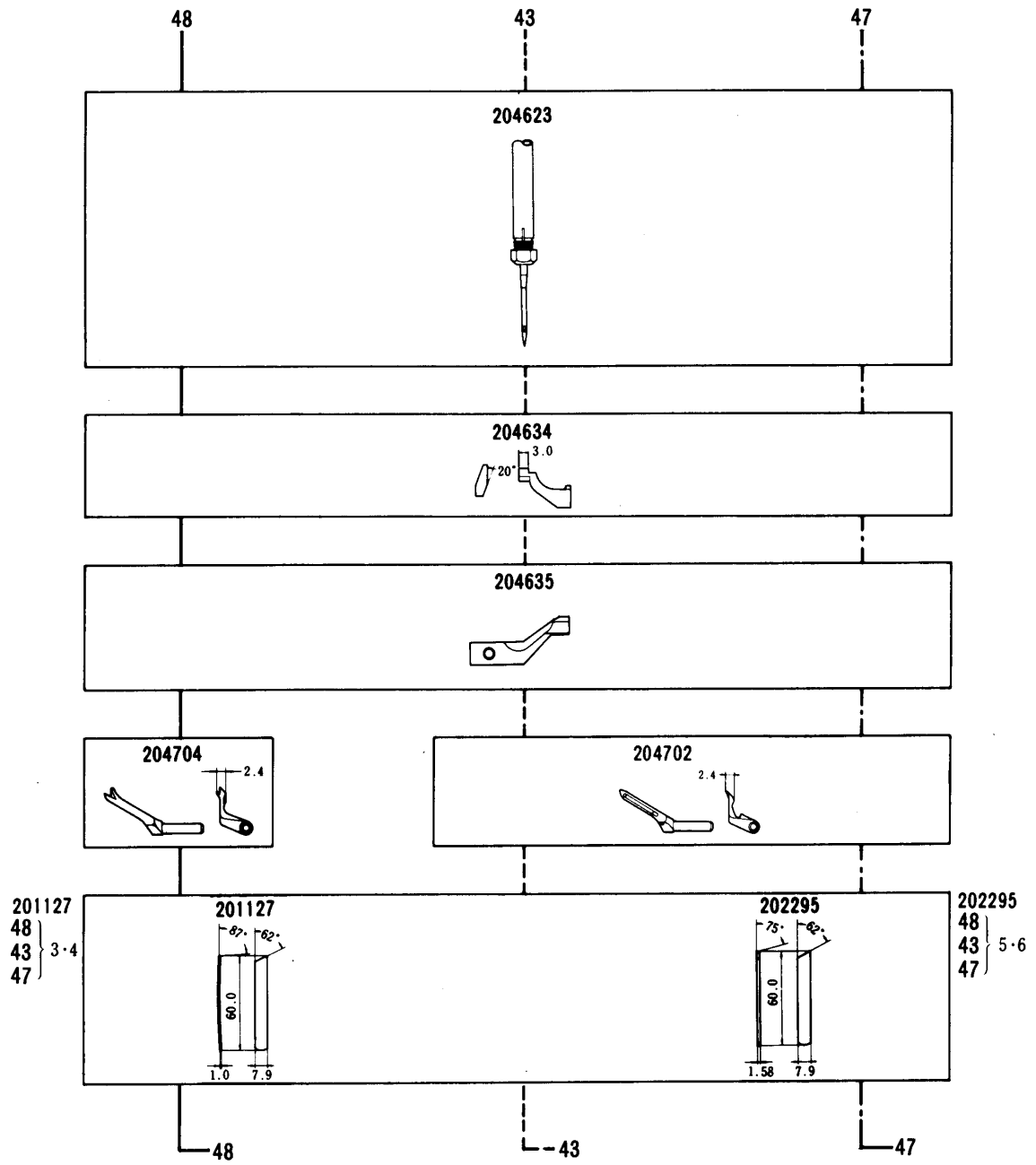
- ① 48
- ② 47
- ③ 43








48

43

47

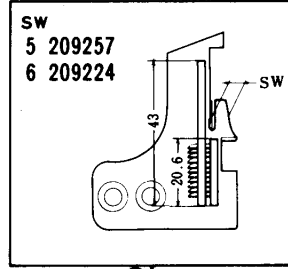
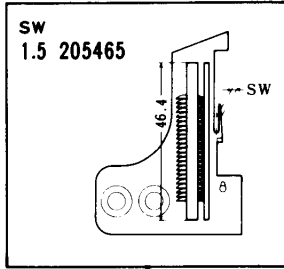


|  |  |  |  | MEMO |   |
|---|---|---|---|------|--|
| 503-4/48  | 3, 4, 5, 6  | 503   | 0.6~1.3   |      | General serging operations on slacks, jackets working wear etc.  |
| 504-4/43  | 3, 4, 5, 6  | 504   | 0.6~2   |      | For sleeve, side and shoulder closing operations on light to medium weight materials such as underwear and ladies' and children's outerwear. |
| 504-4/47  | 3, 4, 5, 6  | 504   | 0.6~2   |      | Seaming on medium heavy materials such as bed spreaders, chair covers etc.   |

**GAUGE PARTS  
CONSTRUCTION CHART**

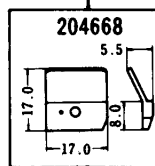
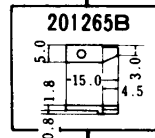
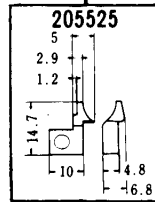
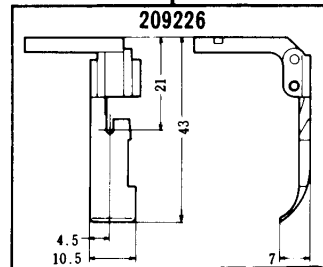
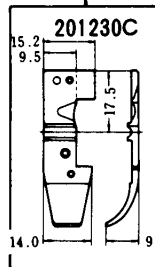
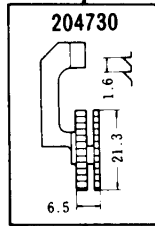
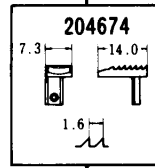
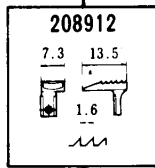
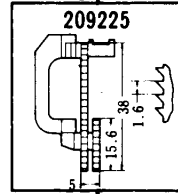
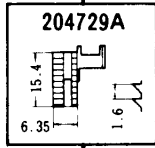
Feed pattern : 2-row, 1-row  
Chaining land : no

**504-4/16s2, 260**



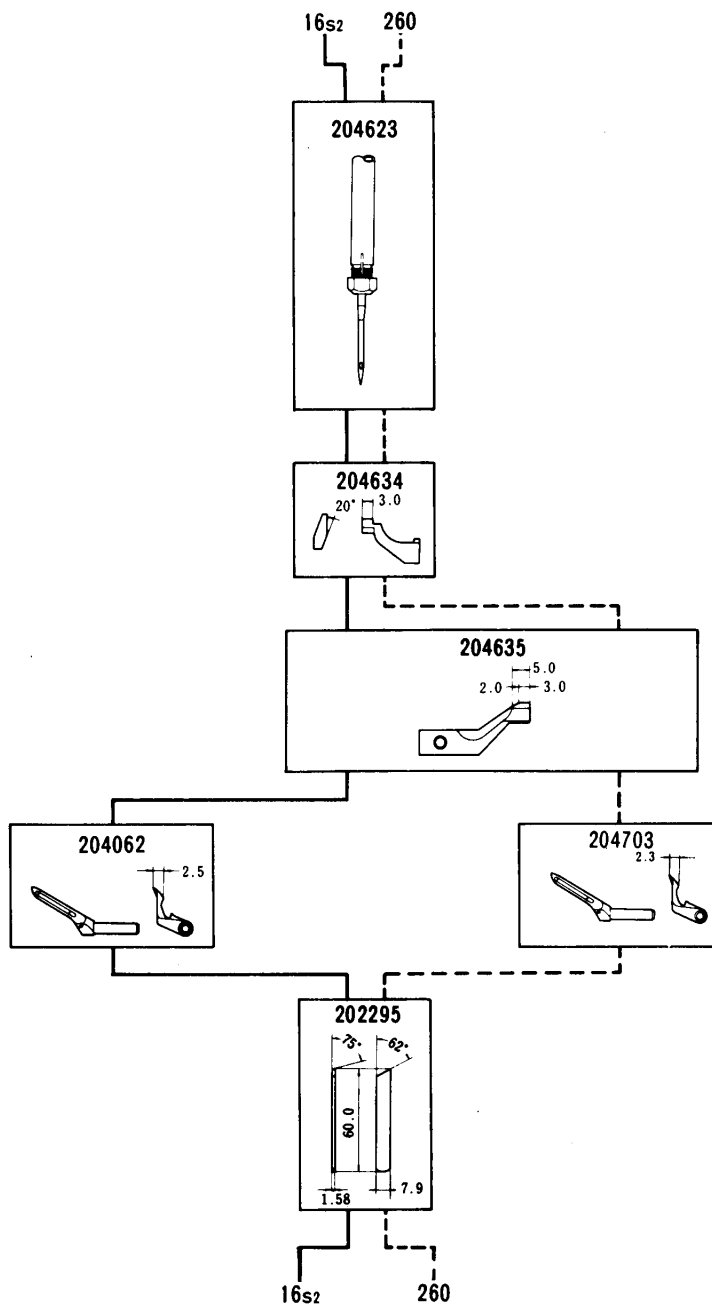
NG = Needle Gauge  
SW = Seam Width






- ① 16s2
- ② 260



16s2

260

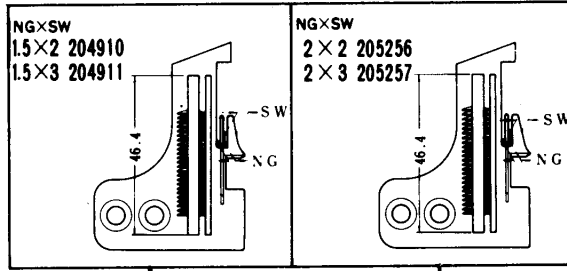


|   |   |   |   |      |   |
|---|---|---|---|------|---|
|  |  |  |  | MEMO |                      |
| 504-4/16s2  | 1.5   | 504   | 0.6~2   |      | Three thread overedger for turndown hemming on lightweight materials such as handkerchiefs, curtains etc. |
| 504-4/260   | 5.6   | 504   |   |      | Attaching zipper.   |

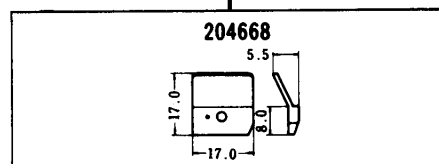
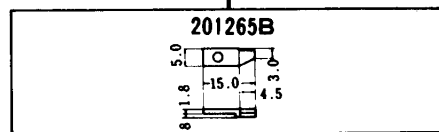
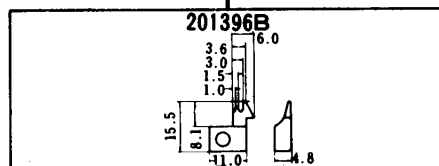
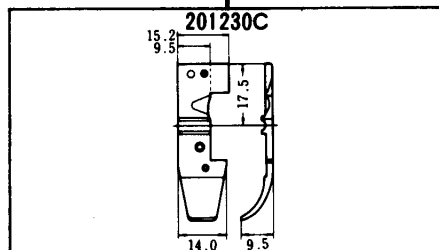
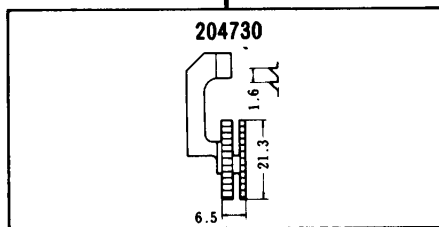
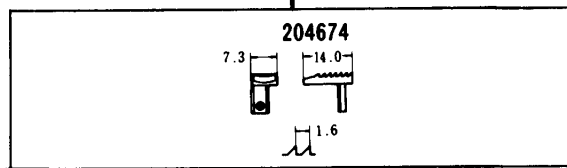
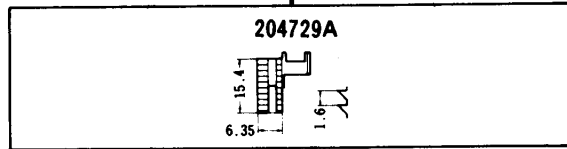
**GAUGE PARTS  
CONSTRUCTION CHART**

**514-4/20**

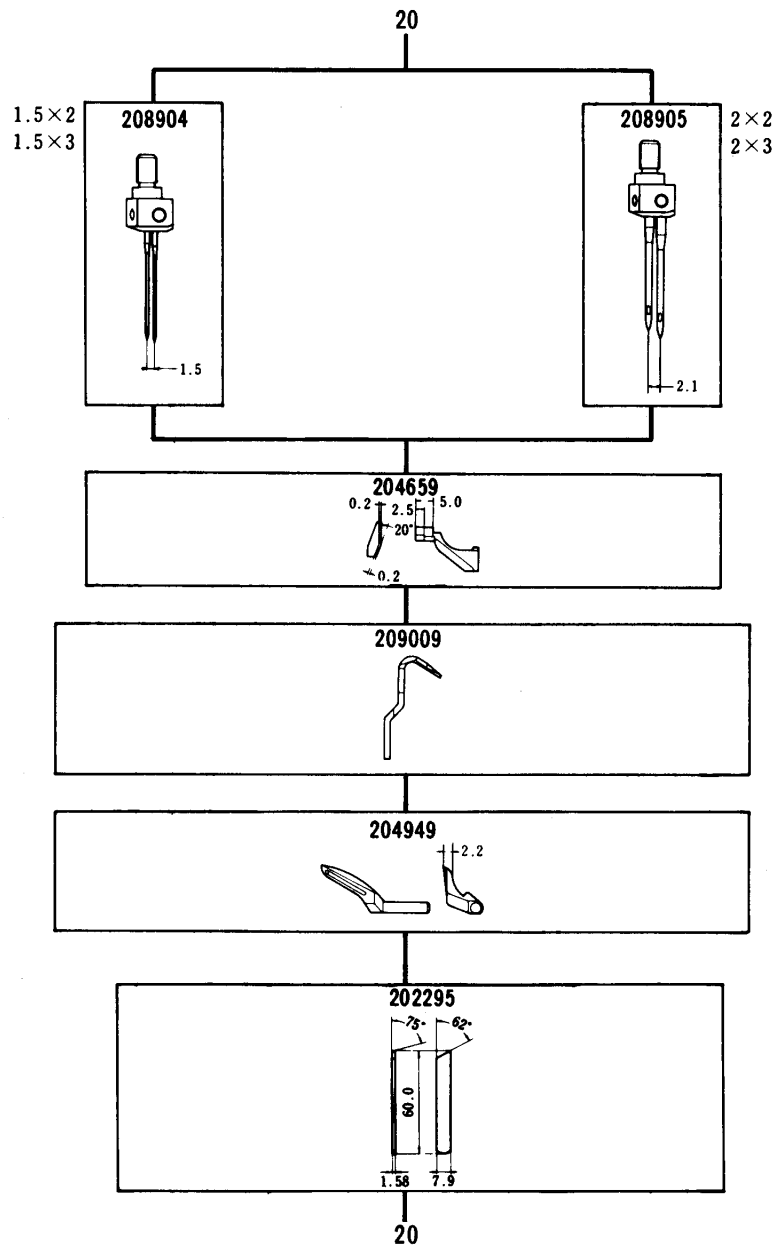
Feed pattern : 2-row  
Chaining land : no









NG = Needle Gauge  
SW = Seam Width





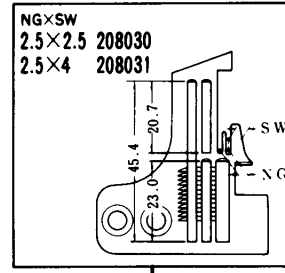
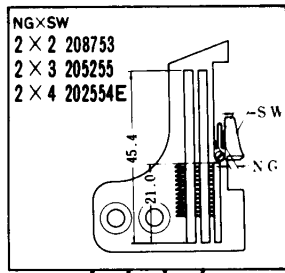


|   |   |   |   |   |      |   |
|---|---|---|---|---|------|---|
|  |  |  |  |  | MEMO |                        |
| 514-4/20  | 1.5<br>2  | 2,3   | 514   | 0.6~2   |      | Two needle machines for closing and attaching sleeves and side closing on light to medium weight materials. |

**GAUGE PARTS  
CONSTRUCTION CHART**

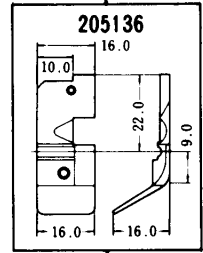
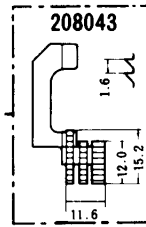
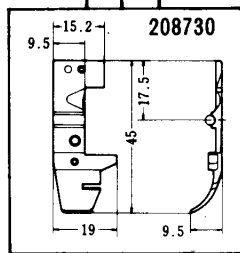
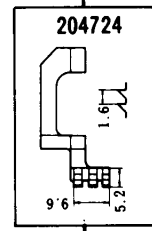
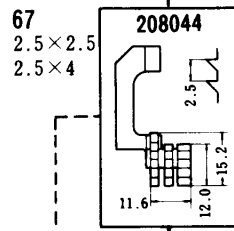
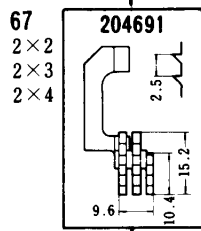
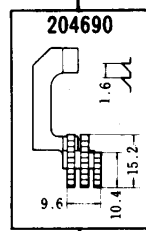
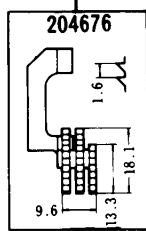
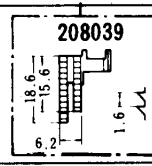
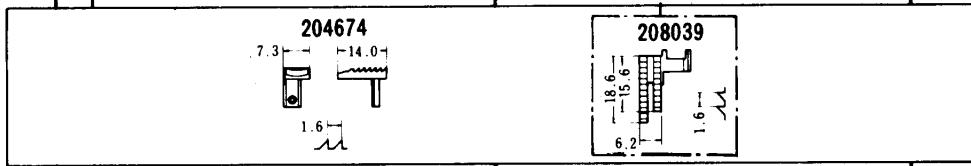
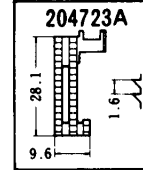
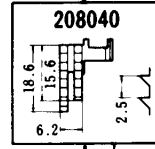
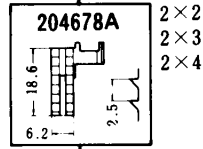
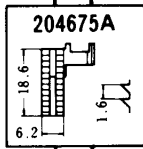
**514-4/68, 61, 62, 67, 73**

Feed pattern : 3-row  
Chaining land : no

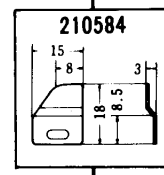
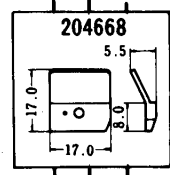
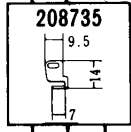
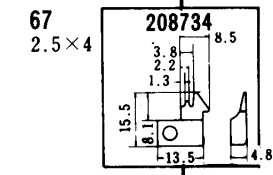
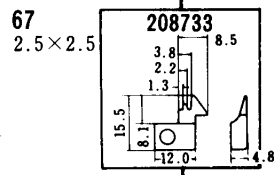
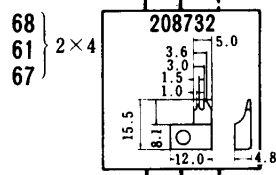
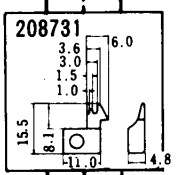


NG = Needle Gauge  
SW = Seam Width

- ① 68
- ② 61
- ③ 67
- ④ 73
- ⑤ 62

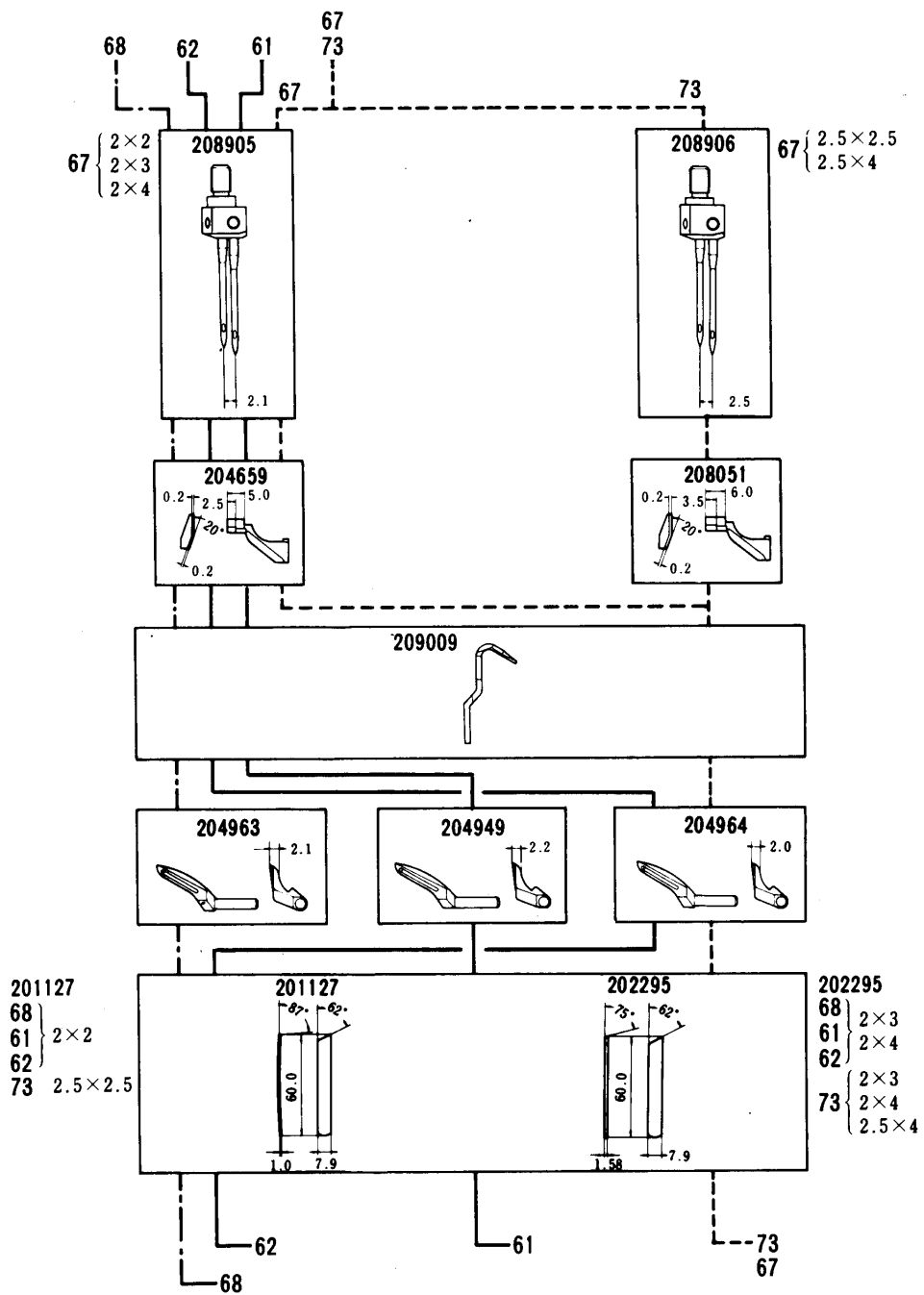




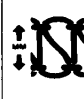



- 68 } 2×2
- 61 } 2×3
- 67 }



- 61
- 68
- 67
- 73

62

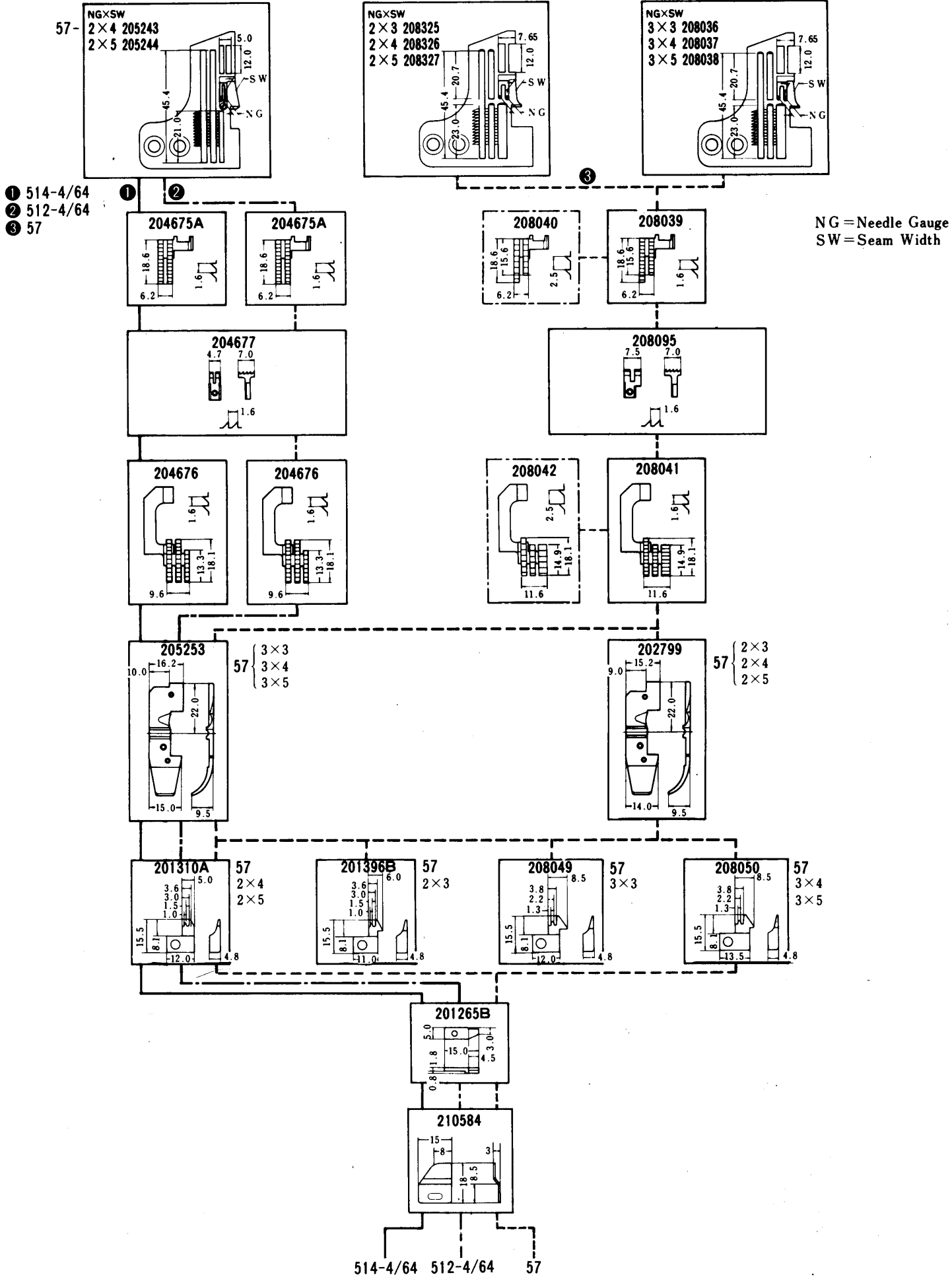


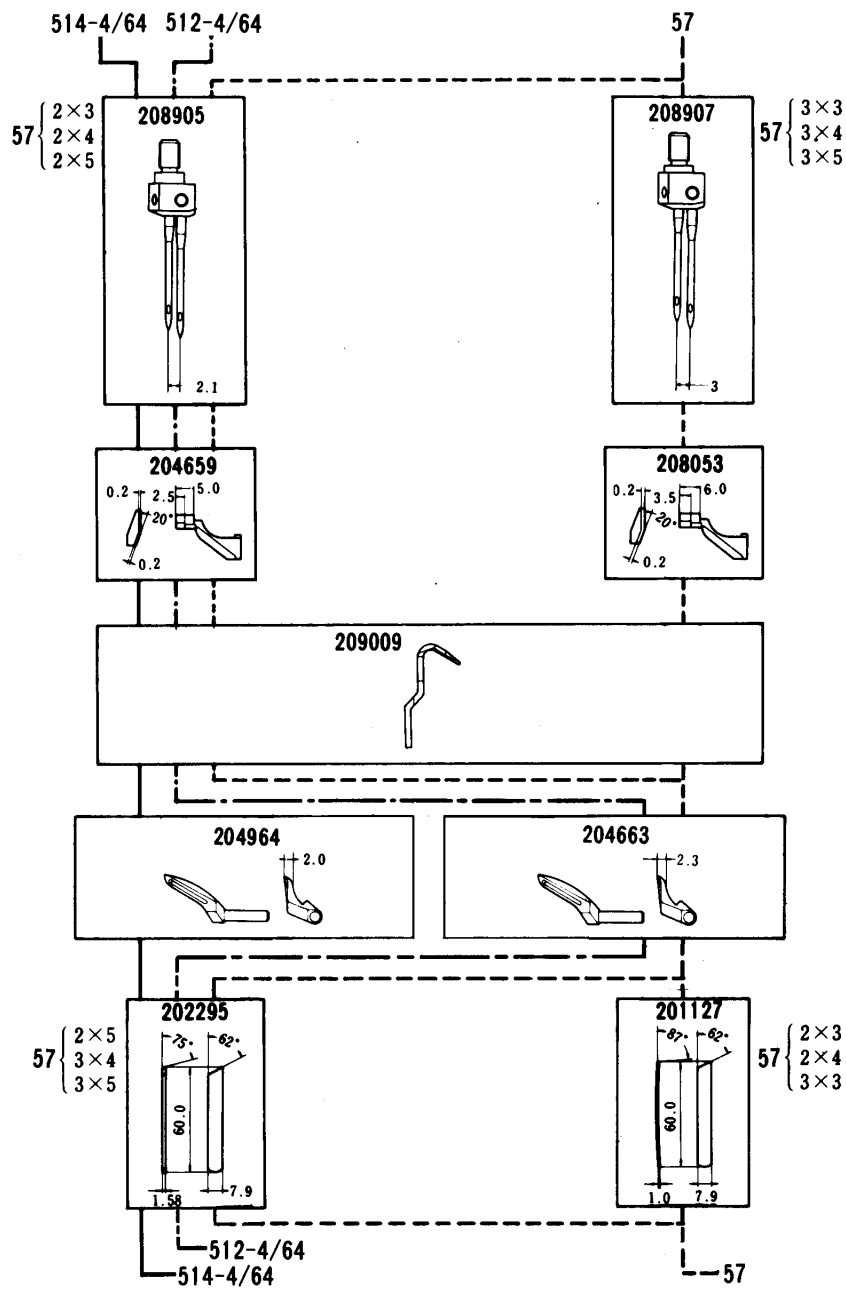
|  |  |  |  |  | MEMO |                                |
|---|---|---|---|---|------|---|
| 514-4/68  | 2   | 2, 3, 4   | 514   | 1~3   |      | Specially designed for seaming bulky knit materials such as sweaters, cardigans etc.                                |
| 514-4/61  | 2   | 2, 3, 4   | 514   | 0.6~2   |      | Two needle machines for closing and attaching sleeves and side closing on light to medium weight materials.         |
| 514-4/67  | 2   | 2, 3, 4   | 514   | 1~3   |      | Specially designed for seaming bulky knit materials such as sweaters, cardigans etc.                                |
| 514-4/73  | 2.5   | 2.5, 4  |   |   |      |   |
| 514-4/62  | 2   | 2, 3, 4   | 514   | 1~3   |      | Two needle overedgers for intermittent shirring on light to medium weight materials such as negligee, curtains etc. |







**GAUGE PARTS  
CONSTRUCTION CHART**

Feed pattern : 3-row  
Chaining land : yes

**512-4/57, 64  
514-4/64**



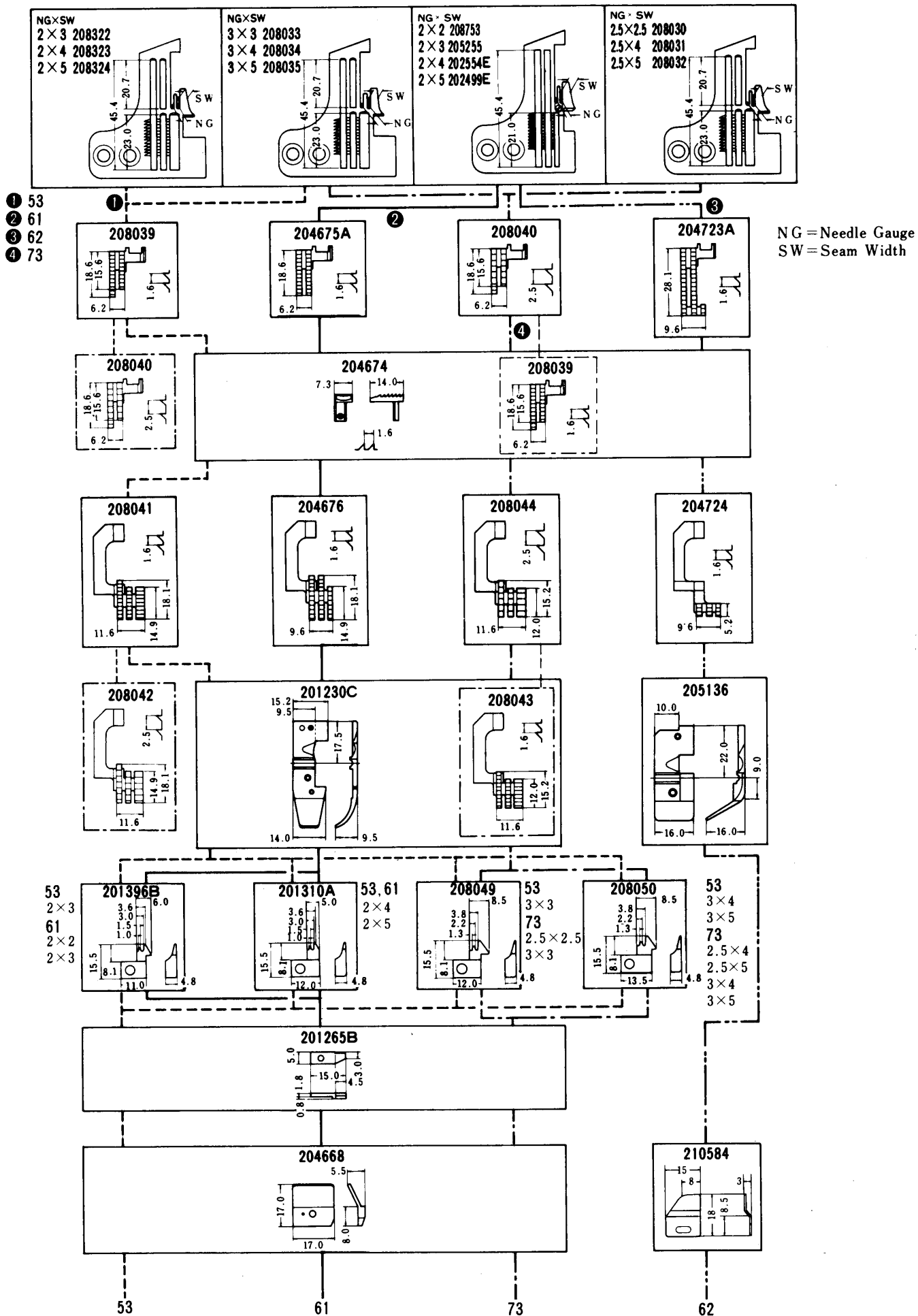


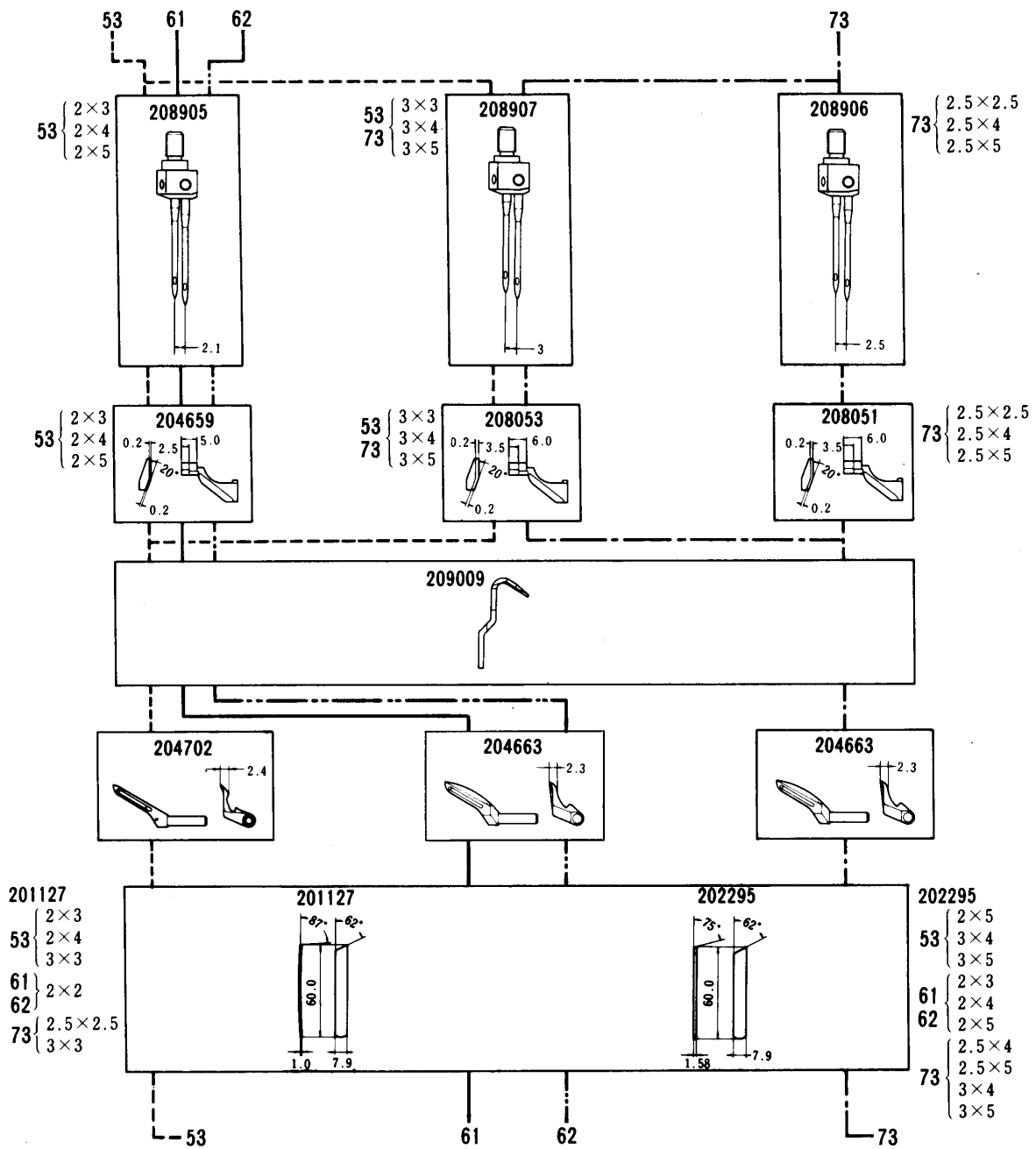
|  |  |  |  |  | MEMO |                        |
|---|---|---|---|---|------|---|
| 512-4/64  | 2   | 4,5   | 512   | 0.6~2   |      | Closing and attaching sleeves and side closing on dress shirts.   |
| 514-4/64  | 2   | 4,5   | 514   | 0.6~2   |      | Two needle machines for closing and attaching sleeves and side closing on light to medium weight materials. |
| 512-4/57  | 2<br>3  | 3,4,5   | 512   | 0.6~2   |      | Closing and attaching sleeves and side closing on dress shirts.   |







**GAUGE PARTS  
CONSTRUCTION CHART**

Feed pattern : 3-row  
Chaining land : no

512-4/53, 61, 62, 73



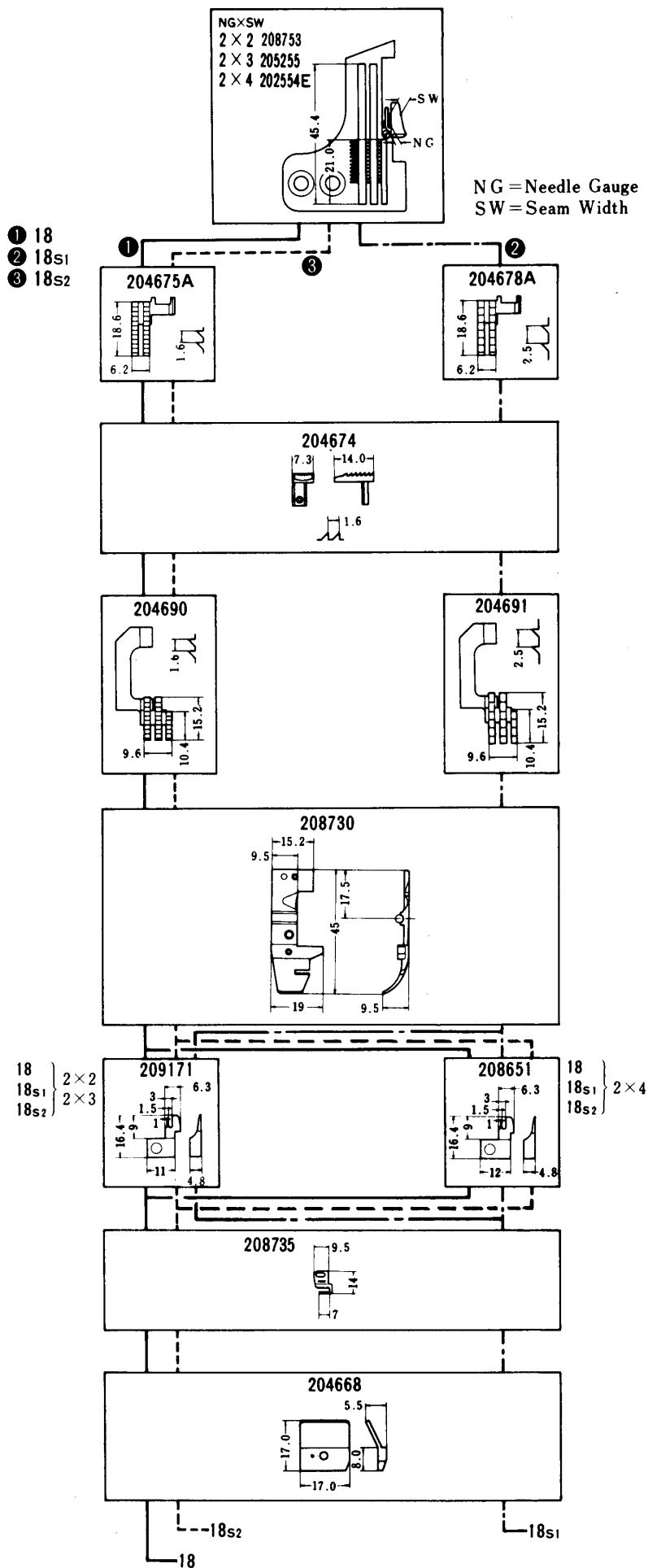


|  |  |  |  |  | MEMO |                                       |
|---|---|---|---|---|------|--|
| 512-4/53  | 2<br>3  | 3, 4, 5   | 512   | 0.6~2   |      | Closing and attaching sleeves and side closing on dress shirts.  |
| 512-4/61  | 2   | 2, 3, 4, 5  | 512   | 0.6~2   |      |  |
| 512-4/73  | 2.5<br>3  | 2.5, 4, 5<br>3, 4, 5  | 512   | 0.6~2   |      | Specially designed for seaming bulky knit and woven materials such as sweaters, work wear etc.                             |
| 512-4/62  | 2   | 2, 3, 4, 5  | 512   | 1~3   |      | Mock safety stitch overedgers for intermittent shirring on light to medium weight materials such as negligee, curtain etc. |

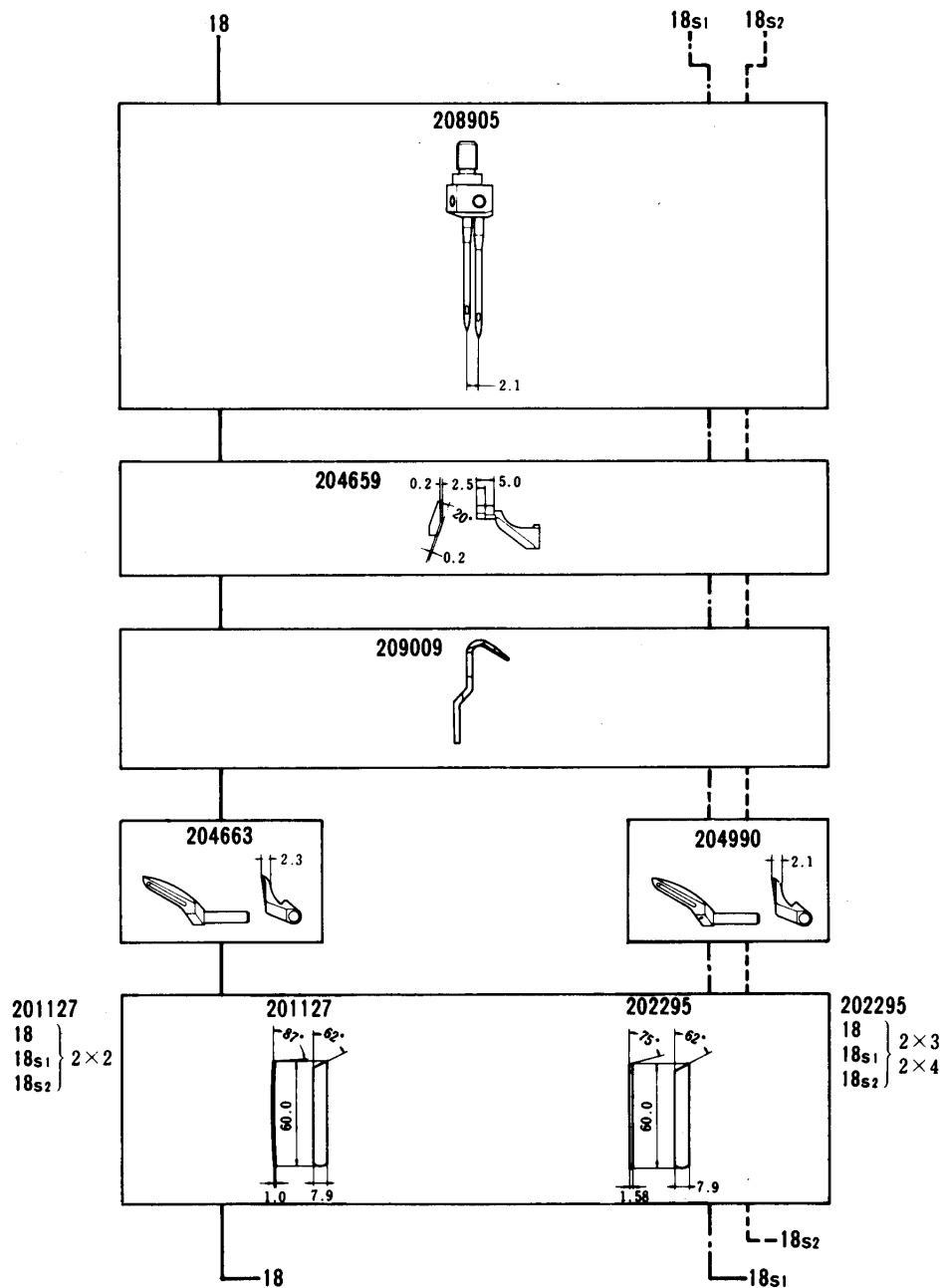
**GAUGE PARTS  
CONSTRUCTION CHART**







Feed pattern : 3-row  
Chaining land : no

**514-4/18, 18S1, 18S2**





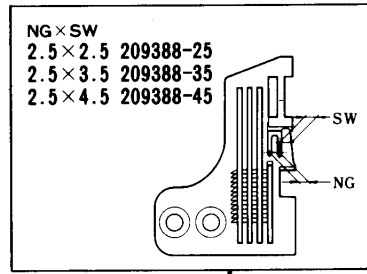
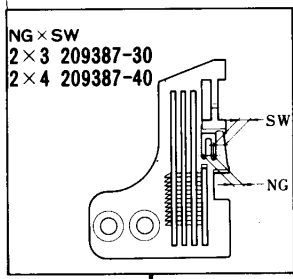


|  |  |  |  |  | MEMO |                        |
|---|---|---|---|---|------|---|
| 514-4/18  | 2   | 2,3,4   | 514   | 1~3   |      | Two needle machines for closing and attaching sleeves and side closing on light to medium weight materials. |
| 514-4/18s1  | 2   | 2,3,4   | 514   | 1~3   |      | Specially designed for seaming bulky knit materials such as sweaters, cardigans etc.                        |
| 514-4/18s2  | 2   | 2,3,4   | 514   | 1~3   |      |   |

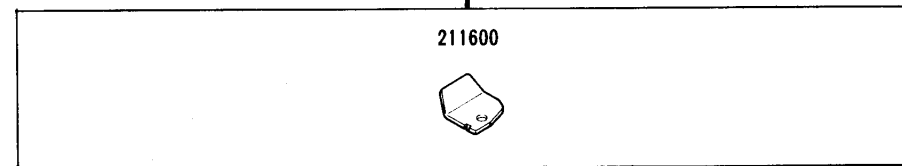
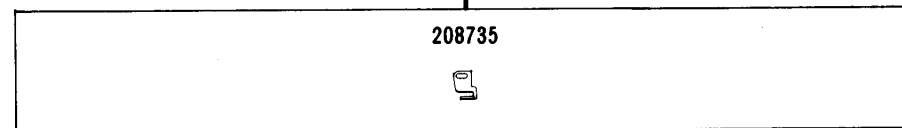
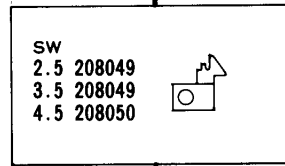
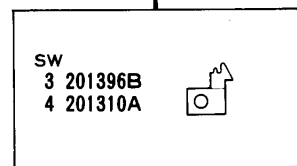
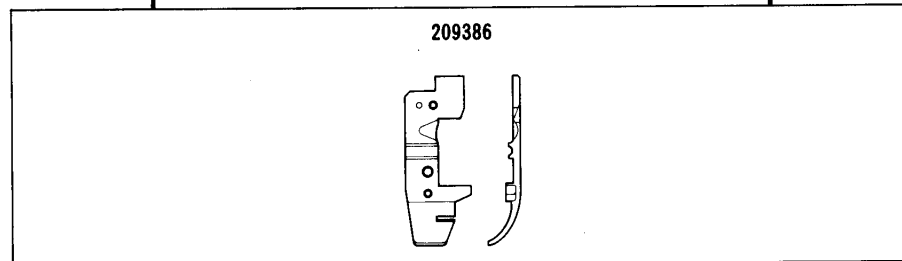
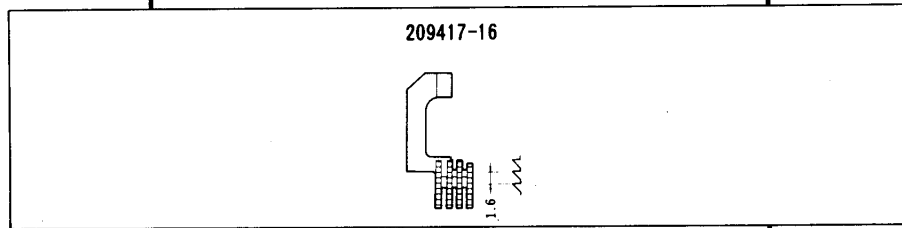
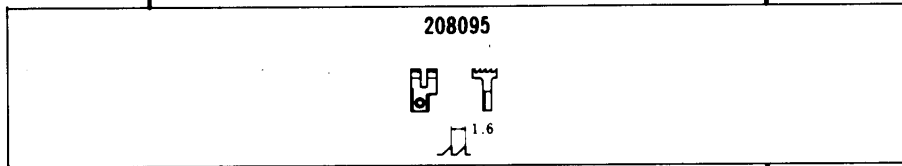
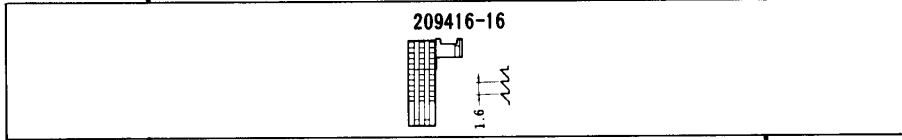
**GAUGE PARTS  
CONSTRUCTION CHART**

**514-4/18S4, 18S5**

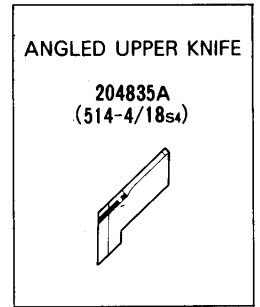
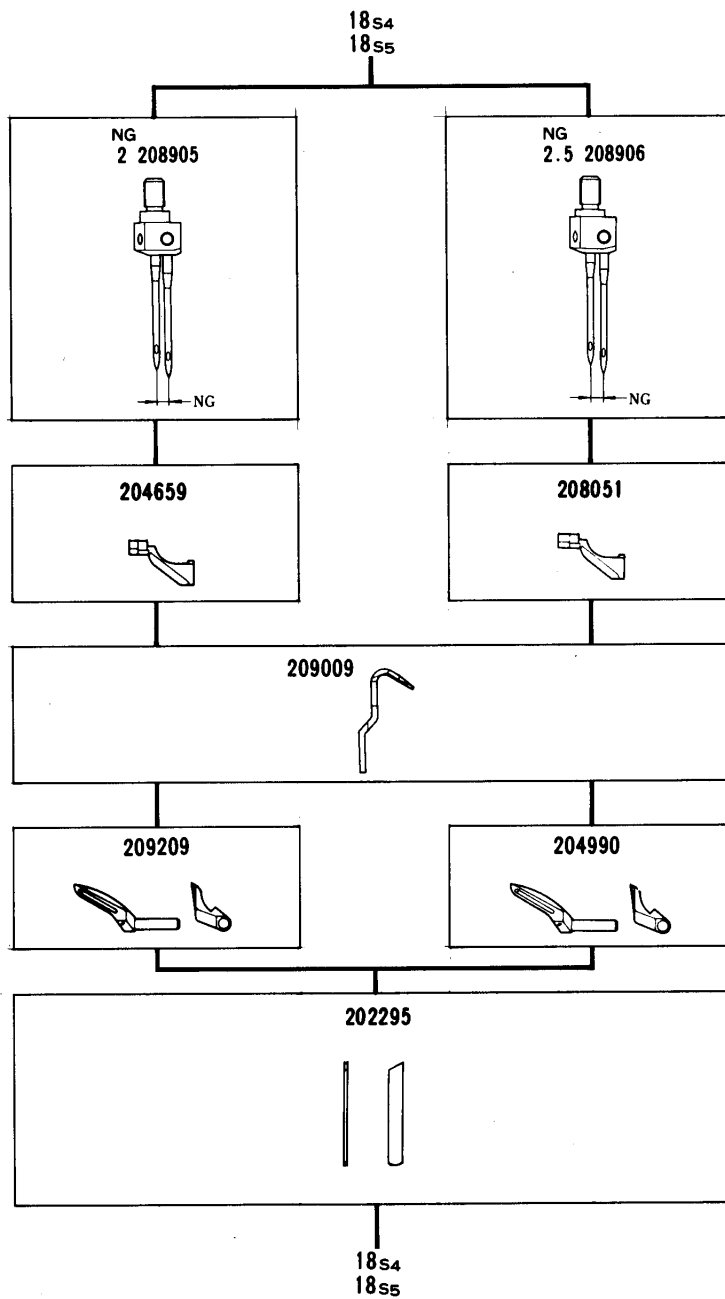
Feed pattern : 4-row









NG = Needle Gauge  
SW = Seam Width



18S4  
18S5

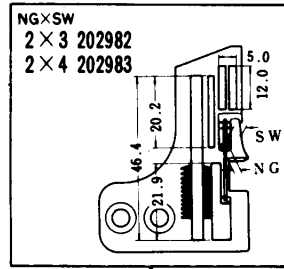


|  | <br>mm |  |  |  | MEMO |       |
|---|---|---|---|---|------|--|
| 514-4/18S4  | 2   | 3,4   | 514   | 1 ~ 3   |      | For plain seaming on heavy weight fabrics (woolen fabrics) such as sweaters and cardigans. |
|   | 2.5   | 2.5,3.5,4.5   |   |   |      |  |
| 514-4/18S5  | 2   | 3,4   | 514   | 1 ~ 3   |      | For plain seaming on heavy weight fabrics (woolen fabrics) such as sweaters and cardigans. |
|   | 2.5   | 2.5,3.5,4.5   |   |   |      |  |

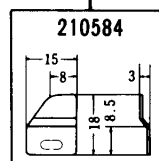
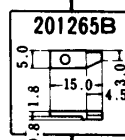
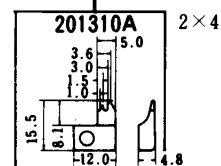
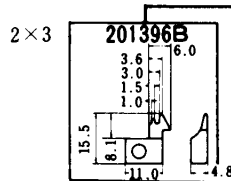
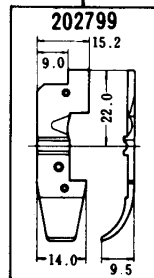
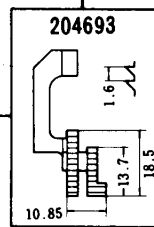
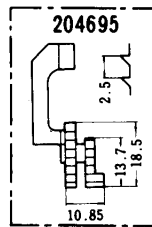
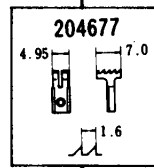
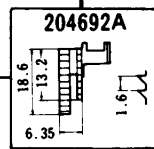
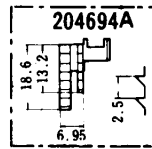
**GAUGE PARTS  
CONSTRUCTION CHART**

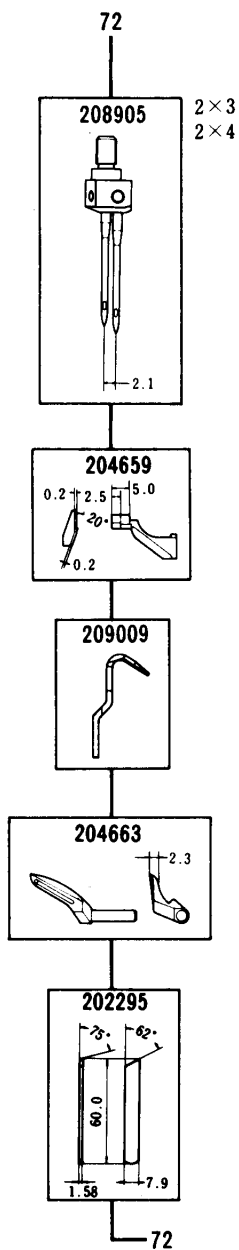
Feed pattern : 2-row  
Chaining land : yes

**512-4/72**



NG = Needle Gauge  
SW = Seam Width





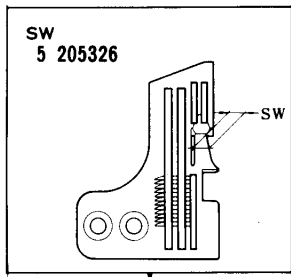
|          |   |     |     |       |      |   |
|----------|---|-----|-----|-------|------|---|
|          |   |     |     |       | MEMO |   |
| 512-4/72 | 2 | 3,4 | 512 | 0.6~2 |      | Two needle machines for closing and attaching sleeves and side closing on light to medium weight materials. |

**GAUGE PARTS  
CONSTRUCTION CHART**

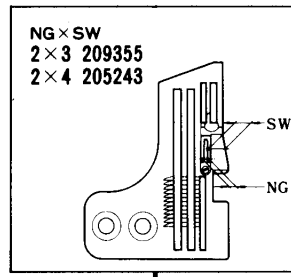
**504-4/21P1 (P2), 62P1 (P2)**

Feed pattern : 3-row

- ① 21P1 (P2)
- ② 62P1 (P2)

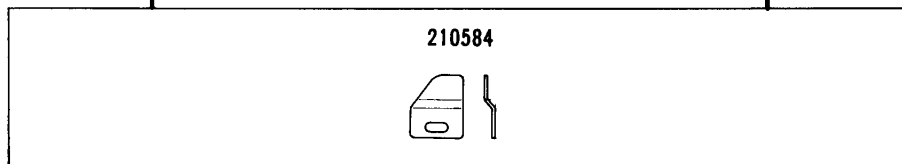
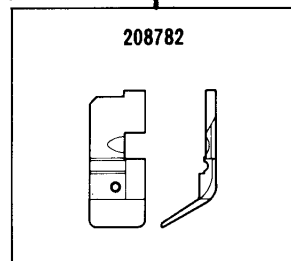
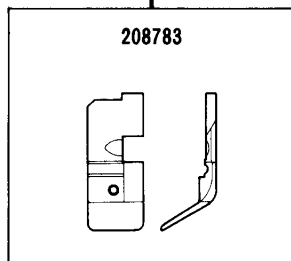
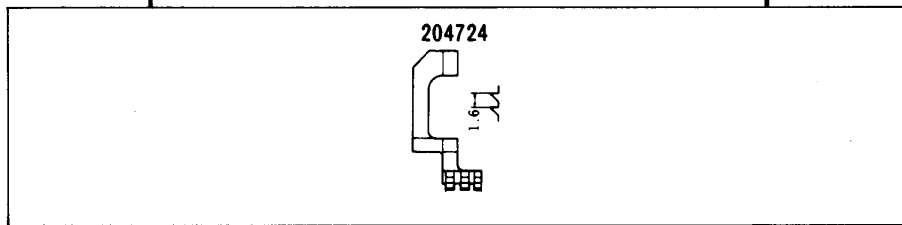
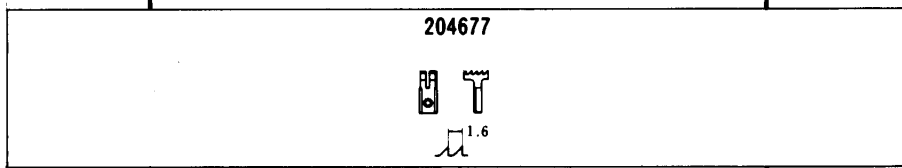
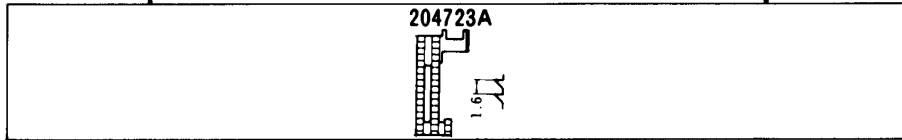


①



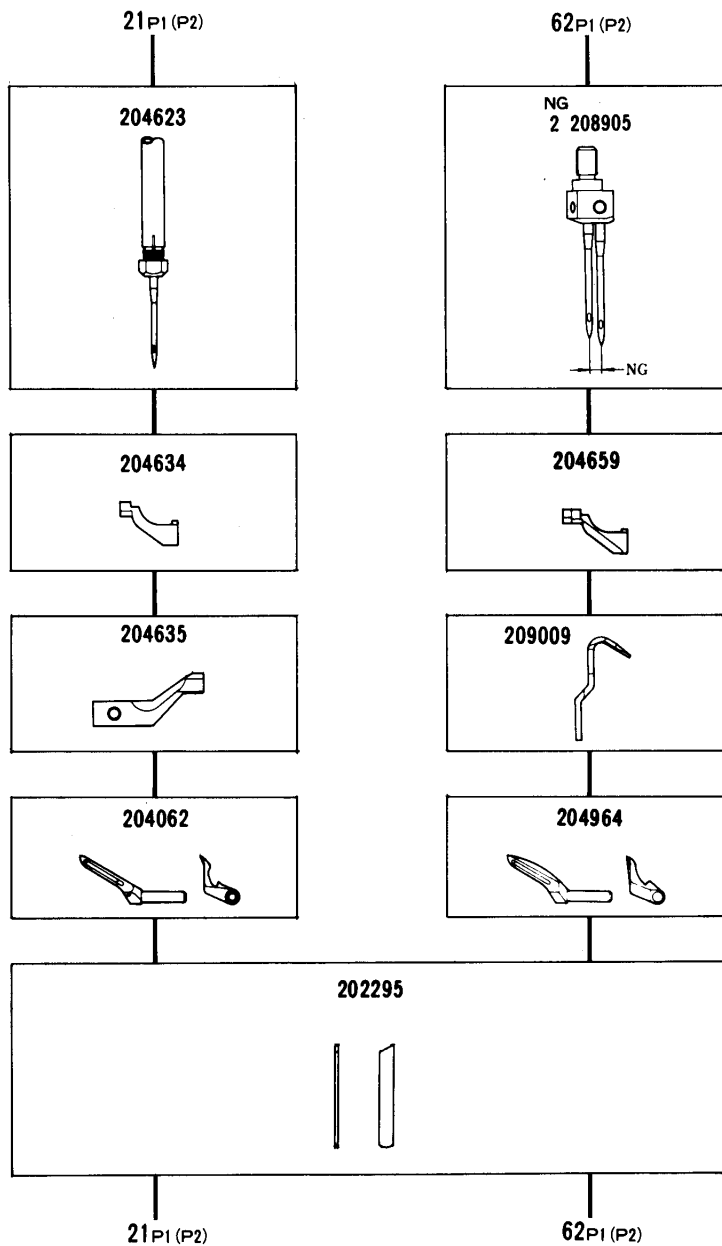
②







NG = Needle Gauge  
SW = Seam Width



21P1 (P2)

62P1 (P2)

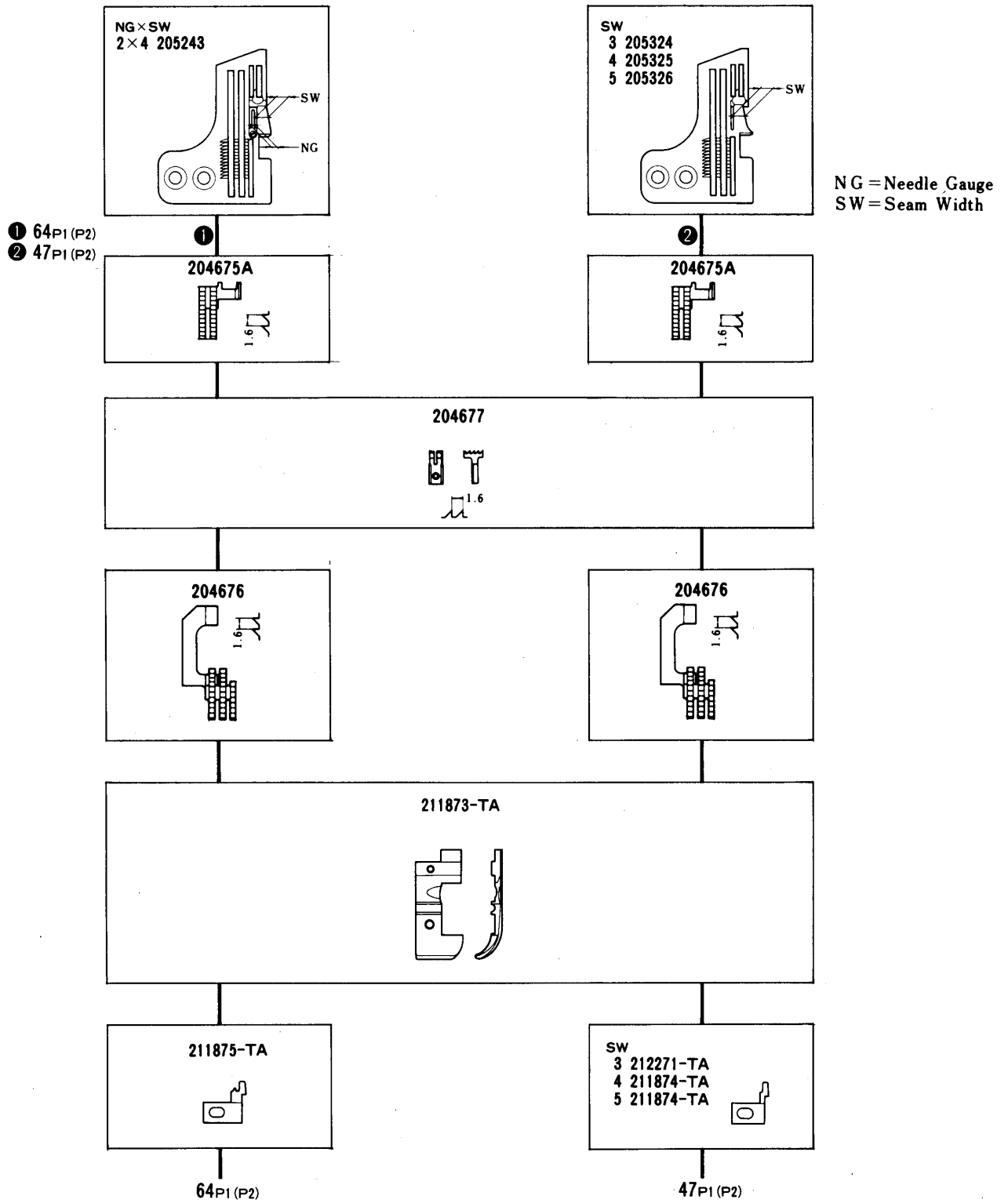


|  |  |  |  |  | MEMO |                                  |
|---|---|---|---|---|------|---|
| 504-4/21P1  |   | 5   | 504   | 1 ~ 3   |      | For shirring/piping on medium weight fabrics such as knit shirts, sweat pants, pajamas and women's and kids' clothes. |
| 504-4/21P2  |   |   |   |   |      |   |
| 514-4/62P1  | 2   | 3,4   | 514   | 1 ~ 3   |      | For shirring/piping on medium weight fabrics such as knit shirts, sweat pants, pajamas and women's and kids' clothes. |
| 514-4/62P2  |   |   |   |   |      |   |

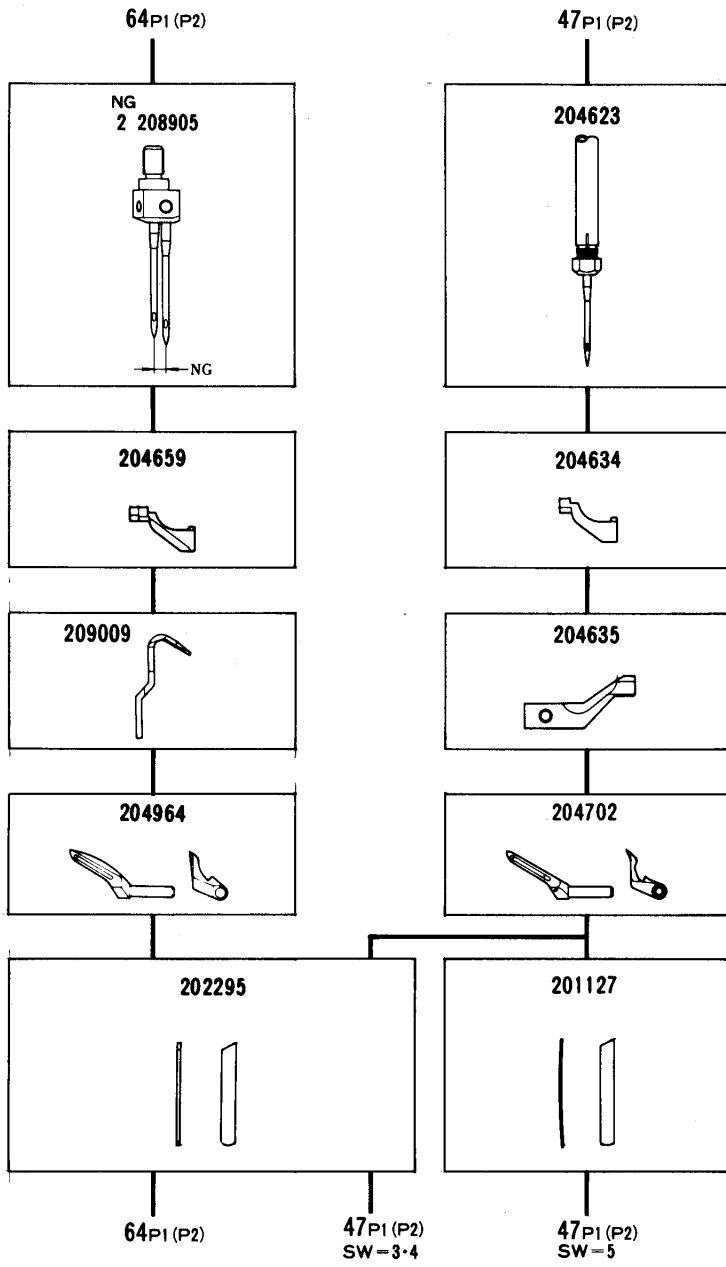
**GAUGE PARTS  
CONSTRUCTION CHART**







Feed pattern : 3-row

**514-4/64P1 (P2)  
504-4/47P1 (P2)**







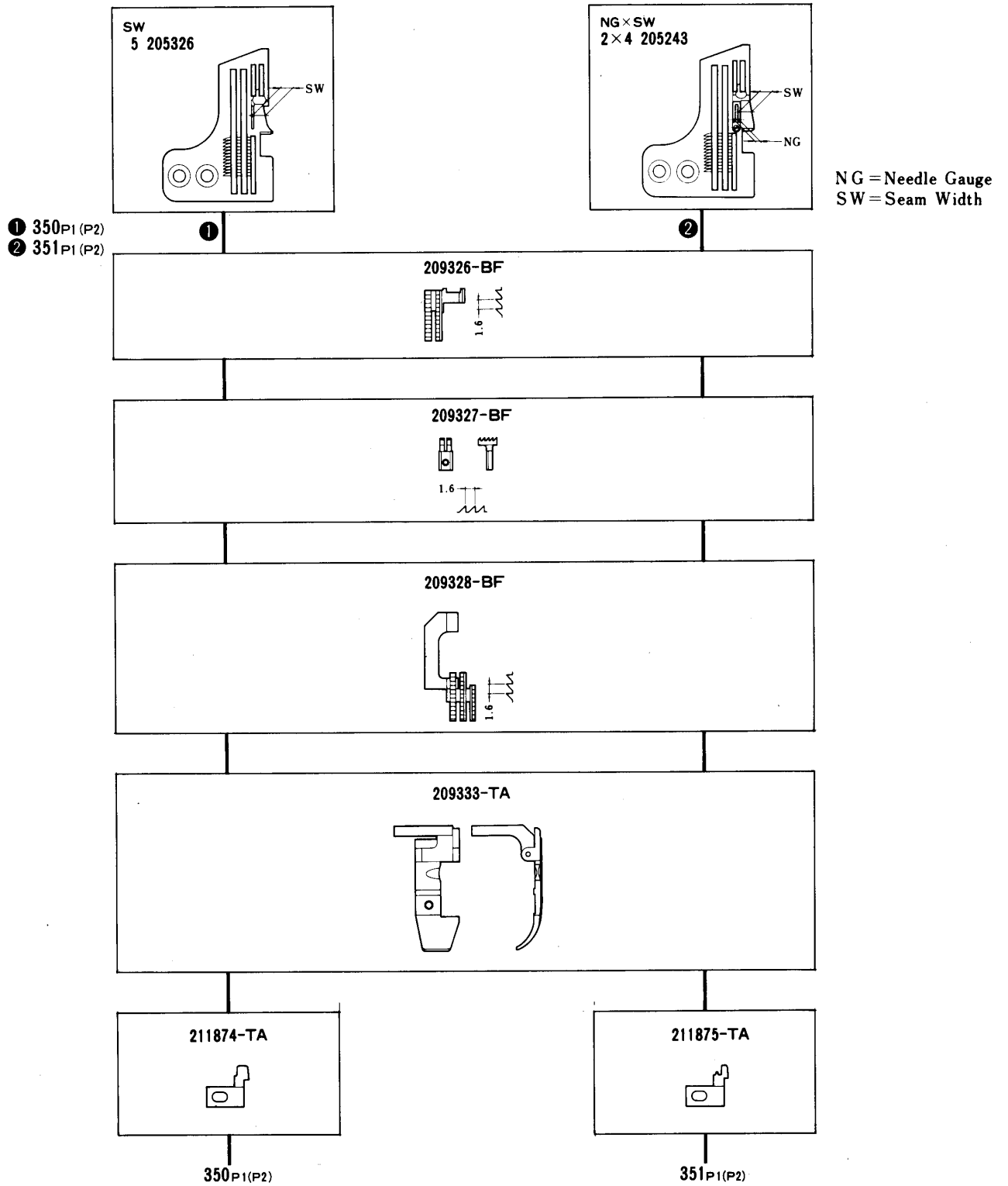
|  | <br>mm |  |  |  | MEMO |                         |
|---|---|---|---|---|------|--|
| 514-4/64P1  | 2   | 4   | 514   |   |      | For piping on medium weight fabrics such as knit shirts, sweat pants, pajamas and women's and kids' clothes. |
| 514-4/64P2  |   |   |   |   |      |  |
| 504-4/47P1  |   | 3,4,5   | 504   |   |      | For piping on medium weight fabrics such as knit shirts, sweat pants, pajamas and women's and kids' clothes. |
| 504-4/47P2  |   |   |   |   |      |  |

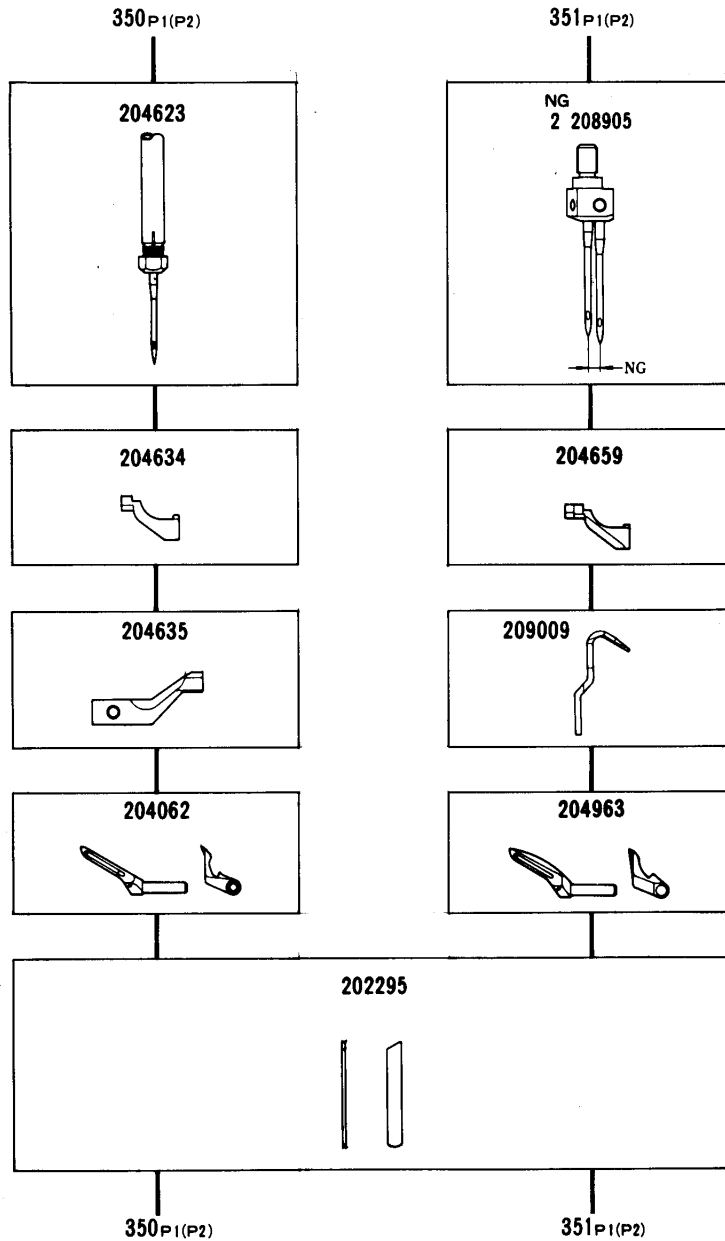
● Variable feed : Intermittent differential feed type.







**GAUGE PARTS  
CONSTRUCTION CHART**

Feed pattern : 3-row

**504-4/350P1 (P2)  
514-4/351P1 (P2)**



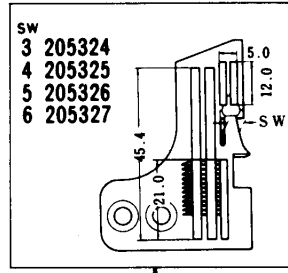
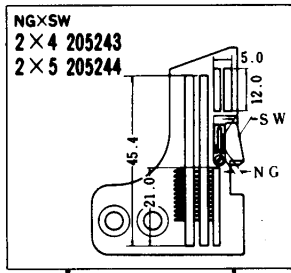


|  |  |  |  |  | MEMO |                         |
|---|---|---|---|---|------|--|
| 504-4/350P1   |   | 5   | 504   |   |      | For piping on medium weight fabrics such as knit shirts, sweat pants, pajamas and women's and kids' clothes. |
| 504-4/350P2   |   |   |   |   |      |  |
| 514-4/351P1   | 2   | 4   | 514   |   |      | For piping on medium weight fabrics such as knit shirts, sweat pants, pajamas and women's and kids' clothes. |
| 514-4/351P2   |   |   |   |   |      |  |

● Variable feed : Intermittent differential feed type.

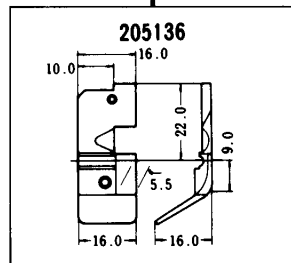
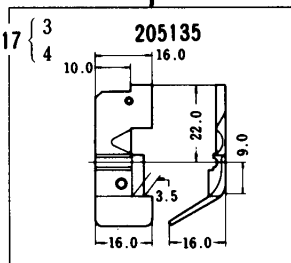
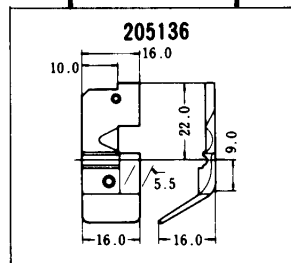
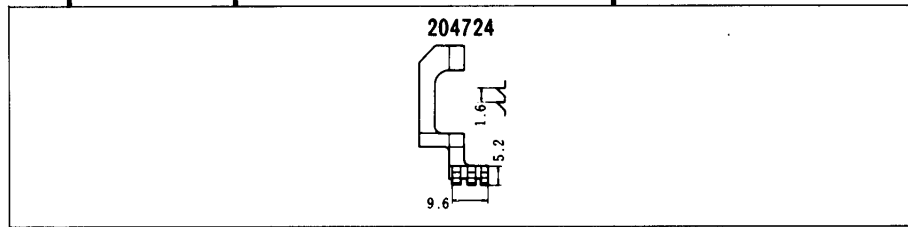
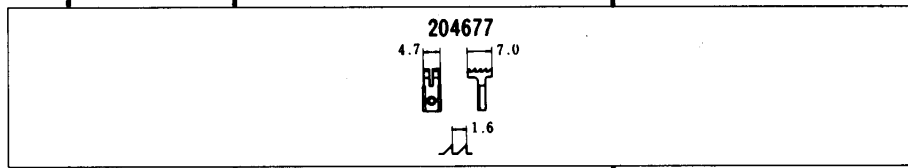
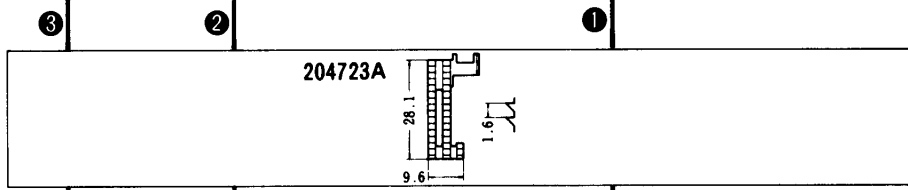
**GAUGE PARTS  
CONSTRUCTION CHART**

**504-4/17  
514-4/63  
512-4/63**

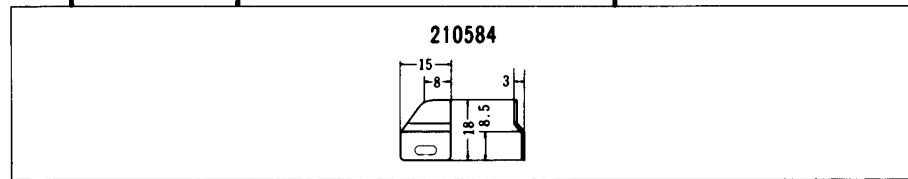


NG = Needle Gauge  
SW = Seam Width

- ① 17
- ② 514-4/63
- ③ 512-4/63



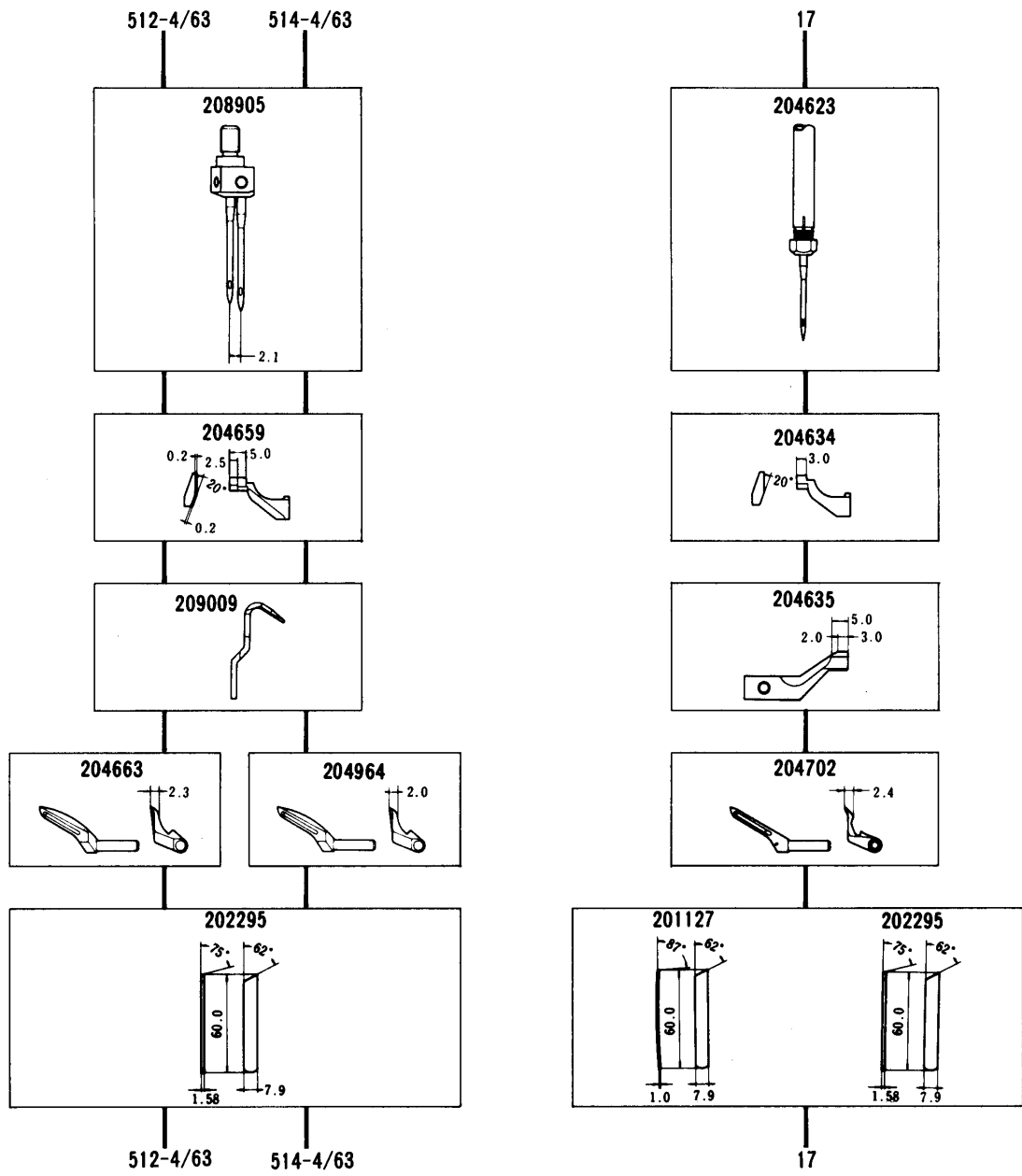
- 17 { 5, 6



512-4/63

514-4/63

17



# GAUGE PARTS LIST

| MACHINE TYPE      | GAUGE |    | NEEDLE PLATE | MAIN FEED DOG | DIFF. FEED DOG | PRESSER FOOT |           | UPPER LOOPER | UPPER SPREADER | LOWER LOOPER | 401 LOOPER | (401) NEEDLE GUARD |        | NEEDLE HOLDER | UPPER KNIFE | LOWER KNIFE | NEEDLE SIZE |
|-------------------|-------|----|--------------|---------------|----------------|--------------|-----------|--------------|----------------|--------------|------------|--------------------|--------|---------------|-------------|-------------|-------------|
|                   | NC    | SW |              |               |                | COMP.        | FAB. GRD. |              |                |              |            | FRONT              | REAR   |               |             |             |             |
| 516(515)<br>-4/28 | 2     | 3  | 204343A      | 208063        | 208215         | 208500       | 208531    | 204062 #2    | 204278 #1      | 204072       | 204314A    | 204536             | 204521 | 208908        | 201121A     | 204161      | #11         |
|                   | 2     | 4  | 204344A      | "             | "              | "            | "         | "            | "              | "            | "          | "                  | "      | "             | "           | "           | "           |
|                   | 2     | 5  | 204345A      | "             | "              | "            | "         | "            | "              | "            | "          | "                  | "      | "             | "           | "           | "           |
|                   | 2     | 6  | 204346A      | "             | "              | "            | "         | "            | "              | "            | "          | "                  | "      | "             | "           | "           | "           |
|                   | 3     | 3  | 204294B      | 208063        | 208215         | 208501       | 208531    | 204702 #4    | 204704 #3      | 204072       | 204314A    | 204536             | 204521 | 208909        | 201121A     | 204161      | #14         |
|                   | 3     | 6  | 204252B      | "             | "              | "            | "         | "            | "              | "            | "          | "                  | "      | "             | "           | "           | "           |
| 516(515)<br>-4/27 | 5     | 3  | 204358A      | 208063        | 208215         | 208502       | 208531    | 204702 #4    | 204704 #3      | 204072       | 204431     | 204042             | 204522 | 208910        | 201121A     | 204161      | #14         |
|                   | 5     | 4  | 204359A      | "             | "              | "            | "         | "            | "              | "            | "          | "                  | "      | "             | "           | "           | "           |
|                   | 5     | 5  | 204360A      | "             | "              | "            | "         | "            | "              | "            | "          | "                  | "      | "             | "           | "           | "           |
|                   | 5     | 6  | 204361A      | "             | "              | "            | "         | "            | "              | "            | "          | "                  | "      | "             | "           | "           | "           |
|                   | 2     | 3  | 204362       | 208065        | 208218         | 208503       | 208531    | 204062 #2    | 204278 #1      | 204072       | 204314A    | 204536             | 205421 | 208908        | 202527A     | 204161      | #11         |
|                   | 2     | 4  | 204363       | "             | "              | "            | "         | "            | "              | "            | "          | "                  | "      | "             | "           | "           | "           |
| 516(515)<br>-4/28 | 2     | 5  | 204364       | "             | "              | "            | "         | "            | "              | "            | "          | "                  | "      | "             | "           | "           | "           |
|                   | 2     | 6  | 204365       | "             | "              | "            | "         | "            | "              | "            | "          | "                  | "      | "             | "           | "           | "           |
|                   | 3     | 3  | 204366       | 208065        | 208218         | 208504       | 208531    | 204062 #2    | 204278 #1      | 204072       | 204314A    | 204536             | 205421 | 208909        | 202527A     | 204161      | #11         |
|                   | 3     | 4  | 204367       | "             | "              | "            | "         | "            | "              | "            | "          | "                  | "      | "             | "           | "           | "           |
|                   | 3     | 5  | 204368       | "             | "              | "            | "         | "            | "              | "            | "          | "                  | "      | "             | "           | "           | "           |
|                   | 3     | 6  | 204369       | "             | "              | "            | "         | "            | "              | "            | "          | "                  | "      | "             | "           | "           | "           |
| 516(515)<br>-4/29 | 2     | 3  | 204343A      | 208062        | 208216         | 208500       | 208531    | 204062 #2    | 204278 #1      | 204072       | 204314A    | 204536             | 204521 | 208908        | 202527A     | 204161      | #11         |
|                   | 2     | 4  | 204344A      | "             | "              | "            | "         | "            | "              | "            | "          | "                  | "      | "             | "           | "           | "           |
|                   | 2     | 5  | 204345A      | "             | "              | "            | "         | "            | "              | "            | "          | "                  | "      | "             | "           | "           | "           |
|                   | 2     | 6  | 204346A      | "             | "              | "            | "         | "            | "              | "            | "          | "                  | "      | "             | "           | "           | "           |
|                   | 3     | 3  | 204294B      | 208062        | 208216         | 208501       | 208531    | 204062 #2    | 204278 #1      | 204072       | 204314A    | 204536             | 205421 | 208909        | 201121A     | 204161      | #11         |
|                   | 3     | 6  | 204252B      | "             | "              | "            | "         | "            | "              | "            | "          | "                  | "      | "             | "           | "           | "           |
| 516(515)<br>-4/29 | 2     | 3  | 204362       | 208066        | 208219         | 208503       | 208531    | 204062 #2    | 204278 #1      | 204072       | 204314A    | 204536             | 204521 | 208908        | 202527A     | 204161      | #11         |
|                   | 2     | 4  | 204363       | "             | "              | "            | "         | "            | "              | "            | "          | "                  | "      | "             | "           | "           | "           |
|                   | 2     | 5  | 204364       | "             | "              | "            | "         | "            | "              | "            | "          | "                  | "      | "             | "           | "           | "           |
|                   | 2     | 6  | 204365       | "             | "              | "            | "         | "            | "              | "            | "          | "                  | "      | "             | "           | "           | "           |
|                   | 3     | 3  | 204366       | 208066        | 208219         | 208504       | 208531    | 204702 #4    | 204704 #3      | 204072       | 204314A    | 204536             | 204521 | 208909        | 202527A     | 204161      | #14         |
|                   | 3     | 6  | 204367       | "             | "              | "            | "         | "            | "              | "            | "          | "                  | "      | "             | "           | "           | "           |
| 516(515)<br>-4/30 | 2     | 3  | 204370       | 208069        | 208222         | 208500       | 208531    | 204062 #2    | 204278 #1      | 204072       | 204314A    | 204536             | 204521 | 208908        | 201121A     | 204161      | #11         |
|                   | 2     | 4  | 204371       | "             | "              | "            | "         | "            | "              | "            | "          | "                  | "      | "             | "           | "           | "           |
|                   | 2     | 5  | 204372       | "             | "              | "            | "         | "            | "              | "            | "          | "                  | "      | "             | "           | "           | "           |
|                   | 2     | 6  | 204373       | "             | "              | "            | "         | "            | "              | "            | "          | "                  | "      | "             | "           | "           | "           |
|                   | 3     | 3  | 204374       | 208069        | 208222         | 208501       | 208531    | 204702 #4    | 204704 #3      | 204072       | 204314A    | 204536             | 204521 | 208909        | 201121A     | 204161      | #14         |
|                   | 3     | 6  | 204375       | "             | "              | "            | "         | "            | "              | "            | "          | "                  | "      | "             | "           | "           | "           |
| 516(515)<br>-4/30 | 3     | 4  | 204376       | "             | "              | "            | "         | "            | "              | "            | "          | "                  | "      | "             | "           | "           | "           |
|                   | 3     | 5  | 204377       | "             | "              | "            | "         | "            | "              | "            | "          | "                  | "      | "             | "           | "           | "           |
|                   | 3     | 6  | 204378       | "             | "              | "            | "         | "            | "              | "            | "          | "                  | "      | "             | "           | "           | "           |
|                   | 5     | 3  | 204378       | 208063        | 208224         | 208502       | 208531    | 204702 #4    | 204704 #3      | 204072       | 204431     | 204042             | 204522 | 208910        | 201121A     | 204161      | #14         |
|                   | 5     | 4  | 204379       | "             | "              | "            | "         | "            | "              | "            | "          | "                  | "      | "             | "           | "           | "           |
|                   | 5     | 5  | 204380       | "             | "              | "            | "         | "            | "              | "            | "          | "                  | "      | "             | "           | "           | "           |

# GAUGE PARTS LIST

| MACHINE TYPE      | GAUGE |        | NEEDLE PLATE | MAIN FEED DOG | DIFF. FEED DOG | PRESSER FOOT |          | UPPER LOOPER | UPPER SPREADER | LOWER LOOPER | 401 LOOPER | (401) NEEDLE GUARD |        | NEEDLE HOLDER | UPPER KNIFE | LOWER KNIFE | NEEDLE SIZE |
|-------------------|-------|--------|--------------|---------------|----------------|--------------|----------|--------------|----------------|--------------|------------|--------------------|--------|---------------|-------------|-------------|-------------|
|                   | NC    | SW     |              |               |                | COMP.        | FAB. GRD |              |                |              |            | FRONT              | REAR   |               |             |             |             |
| 516(515)<br>-4/31 | 2     | 3      | 204370       | 208070        | 208223         | 208500       | 208531   | 204702 #4    | 204704 #3      | 204072       | 204314A    | 204536             | 204521 | 208908        | 201121A     | 204161      | #16         |
|                   | 2     | 4      | 204371       | "             | "              | "            | "        | "            | "              | "            | "          | "                  | "      | "             | "           | "           | "           |
|                   | 2     | 5      | 204372       | "             | "              | "            | "        | "            | "              | "            | "          | "                  | "      | "             | "           | "           | "           |
|                   | 2     | 6      | 204373       | "             | "              | "            | "        | "            | "              | "            | "          | "                  | "      | "             | "           | "           | "           |
|                   | 3     | 3      | 204374       | 208070        | 208223         | 208501       | 208531   | 204702 #4    | 204704 #3      | 204072       | 204314A    | 204536             | 204521 | 208909        | 201121A     | 204161      | #16         |
|                   | 3     | 4      | 204375       | "             | "              | "            | "        | "            | "              | "            | "          | "                  | "      | "             | "           | "           | "           |
| 516(515)<br>-4/32 | 3     | 3      | 204376       | "             | "              | "            | "        | "            | "              | "            | "          | "                  | "      | "             | "           | "           | "           |
|                   | 3     | 4      | 204377       | "             | "              | "            | "        | "            | "              | "            | "          | "                  | "      | "             | "           | "           | "           |
|                   | 5     | 3      | 204378       | 208064        | 208225         | 208502       | 208531   | 204702 #4    | 204704 #3      | 204072       | 204431     | 204042             | 204522 | 208910        | 201121A     | 204161      | #16         |
|                   | 5     | 4      | 204379       | "             | "              | "            | "        | "            | "              | "            | "          | "                  | "      | "             | "           | "           | "           |
|                   | 5     | 5      | 204380       | "             | "              | "            | "        | "            | "              | "            | "          | "                  | "      | "             | "           | "           | "           |
|                   | 5     | 6      | 204381       | "             | "              | "            | "        | "            | "              | "            | "          | "                  | "      | "             | "           | "           | "           |
| 516(515)<br>-4/33 | 3     | 3      | 204366       | 208067        | 208220         | 208504       | 208531   | 204702 #4    | 204704 #3      | 204072       | 204314A    | 204536             | 204521 | 208909        | 201121A     | 204161      | #16         |
|                   | 3     | 4      | 204367       | "             | "              | "            | "        | "            | "              | "            | "          | "                  | "      | "             | "           | "           | "           |
|                   | 3     | 5      | 204368       | "             | "              | "            | "        | "            | "              | "            | "          | "                  | "      | "             | "           | "           | "           |
|                   | 3     | 6      | 204369       | "             | "              | "            | "        | "            | "              | "            | "          | "                  | "      | "             | "           | "           | "           |
|                   | 3     | 3      | 204294B      | 208064        | 208217         | 208501       | 208531   | 204702 #4    | 204704 #3      | 204072       | 204314A    | 204536             | 204521 | 208909        | 201121A     | 204161      | #16         |
|                   | 3     | 4      | 204039B      | "             | "              | "            | "        | "            | "              | "            | "          | "                  | "      | "             | "           | "           | "           |
| 516(515)<br>-4/33 | 3     | 5      | 204252B      | "             | "              | "            | "        | "            | "              | "            | "          | "                  | "      | "             | "           | "           | "           |
|                   | 3     | 6      | 204295B      | "             | "              | "            | "        | "            | "              | "            | "          | "                  | "      | "             | "           | "           | "           |
|                   | 5     | 3      | 204358A      | 208064        | 208217         | 208502       | 208531   | 204702 #4    | 204704 #3      | 204072       | 204431     | 204042             | 204522 | 208910        | 201121A     | 204161      | #16         |
|                   | 5     | 4      | 204359A      | "             | "              | "            | "        | "            | "              | "            | "          | "                  | "      | "             | "           | "           | "           |
|                   | 5     | 5      | 204360A      | "             | "              | "            | "        | "            | "              | "            | "          | "                  | "      | "             | "           | "           | "           |
|                   | 5     | 6      | 204361A      | "             | "              | "            | "        | "            | "              | "            | "          | "                  | "      | "             | "           | "           | "           |
| 516(515)<br>-4/37 | 2     | 3      | 204370       | 208068        | 208221         | 208500       | 208531   | 204062 #2    | 204278 #1      | 204072       | 204314A    | 204536             | 204521 | 208908        | 201121A     | 204161      | #11         |
|                   | 2     | 4      | 204371       | "             | "              | "            | "        | "            | "              | "            | "          | "                  | "      | "             | "           | "           | "           |
|                   | 2     | 5      | 204372       | "             | "              | "            | "        | "            | "              | "            | "          | "                  | "      | "             | "           | "           | "           |
|                   | 2     | 6      | 204373       | "             | "              | "            | "        | "            | "              | "            | "          | "                  | "      | "             | "           | "           | "           |
|                   | 3     | 3      | 204374       | 208068        | 208221         | 208501       | 208531   | 204062 #2    | 204278 #1      | 204072       | 204314A    | 204536             | 204521 | 208909        | 201121A     | 204161      | #11         |
|                   | 3     | 4      | 204375       | "             | "              | "            | "        | "            | "              | "            | "          | "                  | "      | "             | "           | "           | "           |
| 516(515)<br>-4/38 | 3     | 5      | 204376       | "             | "              | "            | "        | "            | "              | "            | "          | "                  | "      | "             | "           | "           | "           |
|                   | 3     | 6      | 204377       | "             | "              | "            | "        | "            | "              | "            | "          | "                  | "      | "             | "           | "           | "           |
|                   | 2     | 3      | 204935       | 208074        | 204420         | 208507       | 208532   | 204062 #2    | 204278 #1      | 204072       | 204314A    | 204536             | 204521 | 208908        | 201121A     | 204161      | #11         |
|                   | 2     | 4      | 204936       | "             | "              | "            | "        | "            | "              | "            | "          | "                  | "      | "             | "           | "           | "           |
|                   | 2     | 5      | 204937       | "             | "              | "            | "        | "            | "              | "            | "          | "                  | "      | "             | "           | "           | "           |
|                   | 2     | 6      | 204938       | "             | "              | "            | "        | "            | "              | "            | "          | "                  | "      | "             | "           | "           | "           |
| 516(515)<br>-4/38 | 3     | 3      | 204939       | 208074        | 204420         | 208508       | 208532   | 204702 #4    | 204704 #3      | 204072       | 204314A    | 204536             | 204521 | 208909        | 201121A     | 204161      | #14         |
|                   | 3     | 4      | 204940       | "             | "              | "            | "        | "            | "              | "            | "          | "                  | "      | "             | "           | "           | "           |
|                   | 3     | 5      | 204941       | "             | "              | "            | "        | "            | "              | "            | "          | "                  | "      | "             | "           | "           | "           |
|                   | 3     | 6      | 204942       | "             | "              | "            | "        | "            | "              | "            | "          | "                  | "      | "             | "           | "           | "           |
|                   | 5     | 3      | 204943       | 208076        | 204422         | 208509       | 208532   | 204702 #4    | 204704 #3      | 204072       | 204431     | 204042             | 204522 | 208910        | 201121A     | 204161      | #14         |
|                   | 5     | 4      | 204944       | "             | "              | "            | "        | "            | "              | "            | "          | "                  | "      | "             | "           | "           | "           |
| 5                 | 5     | 204945 | "            | "             | "              | "            | "        | "            | "              | "            | "          | "                  | "      | "             | "           | "           |             |
| 5                 | 6     | 204946 | "            | "             | "              | "            | "        | "            | "              | "            | "          | "                  | "      | "             | "           | "           |             |

# GAUGE PARTS LIST

| MACHINE TYPE       | GAUGE |    | NEEDLE PLATE | MAIN FEED DOG | DIFF. FEED DOG | PRESSER FOOT |           | UPPER LOOPER | UPPER SPREADER | LOWER LOOPER | 401 LOOPER | (401) NEEDLE GUARD |        | NEEDLE HOLDER | UPPER KNIFE | LOWER KNIFE | NEEDLE SIZE |
|--------------------|-------|----|--------------|---------------|----------------|--------------|-----------|--------------|----------------|--------------|------------|--------------------|--------|---------------|-------------|-------------|-------------|
|                    | NG    | SW |              |               |                | COMP.        | FAB. GRD. |              |                |              |            | FRONT              | REAR   |               |             |             |             |
| 516 (515)<br>-4/39 | 2     | 3  | 204935       | 208075        | 204421         | 208507       | 208532    | 204702 #4    | 204704 #3      | 204072       | 204314A    | 204536             | 204521 | 208908        | 201121A     | 204161      | #16         |
|                    | 2     | 4  | 204936       | "             | "              | "            | "         | "            | "              | "            | "          | "                  | "      | "             | "           | "           | "           |
|                    | 2     | 5  | 204937       | "             | "              | "            | "         | "            | "              | "            | "          | "                  | "      | "             | "           | "           | "           |
|                    | 2     | 6  | 204938       | "             | "              | "            | "         | "            | "              | "            | "          | "                  | "      | "             | "           | "           | "           |
|                    | 3     | 3  | 204939       | 208075        | 204421         | 208508       | 208532    | 204702 #4    | 204704 #3      | 204072       | 204314A    | 204536             | 204521 | 208909        | 201121A     | 204161      | #16         |
|                    | 3     | 4  | 204940       | "             | "              | "            | "         | "            | "              | "            | "          | "                  | "      | "             | "           | "           | "           |
| 516 (515)<br>-4/51 | 3     | 5  | 204941       | "             | "              | "            | "         | "            | "              | "            | "          | "                  | "      | "             | "           | "           | "           |
|                    | 3     | 6  | 204942       | "             | "              | "            | "         | "            | "              | "            | "          | "                  | "      | "             | "           | "           | "           |
|                    | 5     | 3  | 204943       | 208077        | 204423         | 208509       | 208532    | 204702 #4    | 204705 #5      | 204072       | 204431     | 204042             | 204522 | 208910        | 201121A     | 204161      | #16         |
|                    | 5     | 4  | 204944       | "             | "              | "            | "         | "            | "              | "            | "          | "                  | "      | "             | "           | "           | "           |
|                    | 5     | 5  | 204945       | "             | "              | "            | "         | "            | "              | "            | "          | "                  | "      | "             | "           | "           | "           |
|                    | 5     | 6  | 204946       | "             | "              | "            | "         | "            | "              | "            | "          | "                  | "      | "             | "           | "           | "           |
| 516 (515)<br>-4/52 | 5     | 5  | 204700       | 208064        | 208225         | 208955       | 204683    | 204703 #6    | 204705 #5      | 204072       | 204431-HC  | 204042             | 204522 | 208910        | 201121A     | 204161      | #19         |
|                    | 5     | 6  | 204701       | "             | "              | "            | "         | "            | "              | "            | "          | "                  | "      | "             | "           | "           | "           |
| 516 (515)<br>-4/91 | 5     | 5  | 204528       | 208064        | 208217         | 208955       | 204683    | 204703 #6    | 204705 #5      | 204072       | 204431-HC  | 204042             | 204522 | 208910        | 201121A     | 204161      | #19         |
|                    | 5     | 6  | 204529       | "             | "              | "            | "         | "            | "              | "            | "          | "                  | "      | "             | "           | "           | "           |
| 516 (515)<br>-4/91 | 8     | 5  | 208883       | 208063        | 208224         | 208888       | -----     | 204702 #4    | 204704 #3      | 204072       | 204431     | 204042             | 204522 | 208966        | 201121A     | 204161      | #9          |

| MACHINE TYPE | GAUGE |    | NEEDLE PLATE | MAIN FEED DOG | DIFF. FEED DOG | PRESSER FOOT |           | UPPER LOOPER | UPPER SPREADER | LOWER LOOPER | 401 LOOPER | (401) NEEDLE GUARD |        | NEEDLE HOLDER | UPPER KNIFE | LOWER KNIFE | NEEDLE SIZE |
|--------------|-------|----|--------------|---------------|----------------|--------------|-----------|--------------|----------------|--------------|------------|--------------------|--------|---------------|-------------|-------------|-------------|
|              | NG    | SW |              |               |                | COMP.        | FAB. GRD. |              |                |              |            | FRONT              | REAR   |               |             |             |             |
| 516-355      | 3     | 2  | 208674       | 208066        | 208219         | 208649       | 208531    | 204963 #8    | -----          | 204072       | 204314A    | 204536             | 204521 | 208965        | 201121A     | 204161      | #11         |
|              | 3     | 4  | 208648       | "             | "              | "            | "         | "            | -----          | "            | "          | "                  | "      | "             | "           | "           | "           |
|              | 5     | 2  | 208675       | 208063        | 208215         | 2089255      | 208531    | 204963 #8    | -----          | 204072       | 204431     | 204042             | 204522 | 2089254       | 201121A     | 204161      | #11         |
| 516-359      | 3     | 2  | 208674       | 208066        | 208219         | 208649       | 208531    | 204702 #4    | -----          | 204072       | 204314A    | 204536             | 204521 | 208965        | 201121A     | 204161      | #11         |
|              | 3     | 4  | 208648       | "             | "              | "            | "         | "            | -----          | "            | "          | "                  | "      | "             | "           | "           | "           |
|              | 5     | 2  | 208675       | 208063        | 208215         | 2089255      | 208531    | 204702 #4    | -----          | 204072       | 204431     | 204042             | 204522 | 2089254       | 201121A     | 204161      | #11         |
| 516-559      | 5     | 2  | 208675       | 208063        | 208215         | 2089255      | 208531    | 204702 #4    | -----          | 204072       | 204431     | 204042             | 204522 | 2089254       | 201121A     | 204161      | #11         |
|              | 5     | 4  | 208676       | "             | "              | "            | "         | "            | -----          | "            | "          | "                  | "      | "             | "           | "           | "           |



# GAUGE PARTS LIST

| MACHINE TYPE        | GAUGE |    | NEEDLE PLATE | MAIN FEED DOG | DIFF. FEED DOG | PRESSER FOOT |          | UPPER LOOPER | UPPER SPREADER | LOWER LOOPER | 401 LOOPER | (401) NEEDLE GUARD |          | NEEDLE HOLDER | UPPER KNIFE | LOWER KNIFE | NEEDLE SIZE |
|---------------------|-------|----|--------------|---------------|----------------|--------------|----------|--------------|----------------|--------------|------------|--------------------|----------|---------------|-------------|-------------|-------------|
|                     | NC    | SW |              |               |                | COMP.        | FAB. CRD |              |                |              |            | FRONT              | REAR     |               |             |             |             |
| 516(515)<br>-4/38P1 | 3     | 4  | 204940       | 208074        | 204420         | 204502A      | 204460   | 204702 #4    | 204704 #3      | 204072 "     | 204314A "  | 204536 "           | 204521 " | 208909 "      | 201121A "   | 204161 "    | #14         |
|                     | 3     | 5  | 204941       | "             | "              | "            | "        | "            | "              | "            | "          | "                  | "        | "             | "           | "           | "           |
|                     | 3     | 4  | 204940       | 208074        | 204420         | 204502A      | 204460   | 204702 #4    | 204704 #3      | 204072 "     | 204314A "  | 204536 "           | 204521 " | 208909 "      | 201121A "   | 204161 "    | #14         |
|                     | 3     | 5  | 204941       | "             | "              | "            | "        | "            | "              | "            | "          | "                  | "        | "             | "           | "           | "           |
|                     | 3     | 6  | 204942       | "             | "              | "            | "        | "            | "              | "            | "          | "                  | "        | "             | "           | "           | "           |
|                     | 5     | 3  | 204943       | 208075        | 204421         | 208508       | 208532   | 204702 #4    | 204704 #3      | 204072 "     | 204314A "  | 204431 "           | 204042 " | 204522 "      | 208910 "    | 201121A "   | 204161 "    |
| 516(515)<br>-4/38P2 | 5     | 4  | 204944       | "             | "              | 208509       | 208532   | 204702 #4    | 204704 #3      | 204072 "     | 204314A "  | 204536 "           | 204521 " | 208909 "      | 201121A "   | 204161 "    | #16         |
|                     | 5     | 5  | 204945       | "             | "              | "            | "        | "            | "              | "            | "          | "                  | "        | "             | "           | "           | "           |
|                     | 5     | 6  | 204946       | "             | "              | "            | "        | "            | "              | "            | "          | "                  | "        | "             | "           | "           | "           |
|                     | 3     | 3  | 204939       | 208075        | 204421         | 208508       | 208532   | 204702 #4    | 204704 #3      | 204072 "     | 204314A "  | 204536 "           | 204521 " | 208909 "      | 201121A "   | 204161 "    | #16         |
|                     | 3     | 4  | 204940       | "             | "              | "            | "        | "            | "              | "            | "          | "                  | "        | "             | "           | "           | "           |
|                     | 3     | 5  | 204941       | "             | "              | "            | "        | "            | "              | "            | "          | "                  | "        | "             | "           | "           | "           |
| 516<br>-4/550       | 5     | 3  | 204943       | 208077        | 204423         | 208509       | 208532   | 204702 #4    | 204704 #3      | 204072 "     | 204431 "   | 204042 "           | 204522 " | 208910 "      | 201121A "   | 204161 "    | #16         |
|                     | 5     | 4  | 204944       | "             | "              | "            | "        | "            | "              | "            | "          | "                  | "        | "             | "           | "           | "           |
|                     | 5     | 5  | 204945       | "             | "              | "            | "        | "            | "              | "            | "          | "                  | "        | "             | "           | "           | "           |
|                     | 5     | 6  | 204946       | "             | "              | "            | "        | "            | "              | "            | "          | "                  | "        | "             | "           | "           | "           |
|                     | 3     | 4  | 209195       | 208066        | 208219         | 208998       | 208531   | 204062 #2    | -----          | 204072 "     | 204314A "  | 204536 "           | 204521 " | 208909 "      | 202527A "   | 204161 "    | #11         |
|                     | 3     | 5  | 208993       | "             | "              | "            | "        | "            | "              | "            | "          | "                  | "        | "             | "           | "           | "           |
| 516<br>-4/551       | 3     | 4  | 209196       | 208063        | 208215         | 209202       | 208531   | 204062 #2    | -----          | 204072 "     | 204314A "  | 204536 "           | 204521 " | 208909 "      | 201121A "   | 204161 "    | #11         |
|                     | 3     | 5  | 209197       | "             | "              | "            | "        | "            | -----          | "            | "          | "                  | "        | "             | "           | "           | "           |
|                     | 5     | 4  | 209198       | "             | "              | 209204       | "        | "            | -----          | "            | 204431 "   | 204042 "           | 204522 " | 208910 "      | "           | "           | "           |
|                     | 5     | 4  | 209198       | "             | "              | "            | "        | "            | -----          | "            | "          | "                  | "        | "             | "           | "           | "           |
|                     | 5     | 5  | 209199       | "             | "              | "            | "        | "            | -----          | "            | "          | "                  | "        | "             | "           | "           | "           |

# GAUGE PARTS LIST

| MACHINE TYPE | GAUGE |    | NEEDLE PLATE | MAIN FEED DOG | AUX. FEED DOG | DIFF. FEED DOG | PRESSER FOOT |          |          | UPPER KNIFE | LOWER KNIFE | UPPER LOOPER | LOWER LOOPER | NEEDLE GUARD |        | NEEDLE BAR. COMP. | NEEDLE |
|--------------|-------|----|--------------|---------------|---------------|----------------|--------------|----------|----------|-------------|-------------|--------------|--------------|--------------|--------|-------------------|--------|
|              | NG    | SW |              |               |               |                | FINGER       | FAB. GRD | UNCURLER |             |             |              |              | FRONT        | REAR   |                   |        |
| 505-4/25     | 2     |    | 202616       | 208090        | 204674        | 204730         | 201152E      | 201155C  | 210584   | 201121A     | 202295      | 204072       | 204634       | 204635       | 204623 | DCX27# 9          |        |
|              | 3     |    | 202617       | "             | "             | "              | "            | "        | "        | "           | "           | "            | "            | "            | "      | "                 |        |
|              | 4     |    | 202618       | "             | "             | "              | "            | "        | "        | "           | "           | "            | "            | "            | "      | "                 |        |
|              | 5     |    | 204913       | "             | "             | "              | "            | "        | "        | "           | "           | "            | "            | "            | "      | "                 |        |
|              |       |    |              |               |               |                |              |          |          |             |             |              |              |              |        |                   |        |
| 504-4/19     | 2     |    | 202616       | 208090        | 204674        | 204730         | 201473B      | 201224B  | 210584   | 201121A     | 202295      | 204072       | 204634       | 204635       | 204623 | DCX27# 9          |        |
|              | 3     |    | 202617       | "             | "             | "              | "            | "        | "        | "           | "           | "            | "            | "            | "      | "                 |        |
|              | 4     |    | 202618       | "             | "             | "              | "            | "        | "        | "           | "           | "            | "            | "            | "      | "                 |        |
|              | 5     |    | 204913       | "             | "             | "              | "            | "        | "        | "           | "           | "            | "            | "            | "      | "                 |        |
|              |       |    |              |               |               |                |              |          |          |             |             |              |              |              |        |                   |        |
| 503-4/44     | 3     |    | 205320       | 208334        | 208338        | 204907         | 202799       | 201224B  | 210584   | 201121A     | 202295      | 204072       | 204634       | 204635       | 204623 | DCX27#14          |        |
|              | 4     |    | 205321       | "             | "             | "              | "            | "        | "        | "           | "           | "            | "            | "            | "      | "                 |        |
|              | 5     |    | 205322       | "             | "             | "              | "            | "        | "        | "           | "           | "            | "            | "            | "      | "                 |        |
|              | 6     |    | 205323       | "             | "             | "              | "            | "        | "        | "           | "           | "            | "            | "            | "      | "                 |        |
|              |       |    |              |               |               |                |              |          |          |             |             |              |              |              |        |                   |        |
|              |       |    |              |               |               |                |              |          |          |             |             |              |              |              |        |                   |        |
| 504-4/16S2   | 1.5   |    | 205465       | 208911        | 208912        | 204730         | 201230C      | 205525   | 204688   | 201121A     | 202295      | 204072       | 204634       | 204635       | 204623 | DCX27#11          |        |
|              |       |    |              |               |               |                |              |          |          |             |             |              |              |              |        |                   |        |
| 504-4/7      | 3     |    | 202542E      | 208078        | 204674        | 204676         | 201230C      | 201224B  | 204688   | 201121A     | 201127      | 204072       | 204634       | 204635       | 204623 | DCX27#11          |        |
|              | 4     |    | 202546F      | "             | "             | "              | "            | "        | "        | "           | 202295      | "            | "            | "            | "      | "                 |        |
|              | 5     |    | 202596F      | "             | "             | "              | "            | "        | "        | "           | "           | "            | "            | "            | "      | "                 |        |
|              | 6     |    | 202597E      | "             | "             | "              | "            | "        | "        | "           | "           | "            | "            | "            | "      | "                 |        |
|              |       |    |              |               |               |                |              |          |          |             |             |              |              |              |        |                   |        |
|              |       |    |              |               |               |                |              |          |          |             |             |              |              |              |        |                   |        |
| 503-4/48     | 3     |    | 205324       | 208335        | 208338        | 204690         | 202799       | 201224B  | 210584   | 201121A     | 201127      | 204072       | 204634       | 204635       | 204623 | DCX27#14          |        |
|              | 4     |    | 205325       | "             | "             | "              | "            | "        | "        | "           | 202295      | "            | "            | "            | "      | "                 |        |
|              | 5     |    | 205326       | "             | "             | "              | "            | "        | "        | "           | "           | "            | "            | "            | "      | "                 |        |
|              | 6     |    | 205327       | "             | "             | "              | "            | "        | "        | "           | "           | "            | "            | "            | "      | "                 |        |
|              |       |    |              |               |               |                |              |          |          |             |             |              |              |              |        |                   |        |
|              |       |    |              |               |               |                |              |          |          |             |             |              |              |              |        |                   |        |
| 504-4/17     | 3     |    | 205324       | 208087        | 204677        | 204724         | 205135       | -----    | 210584   | 201121A     | 201127      | 204072       | 204634       | 204635       | 204623 | DCX27#14          |        |
|              | 4     |    | 205325       | "             | "             | "              | 205136       | -----    | "        | "           | "           | "            | "            | "            | "      | "                 |        |
|              | 5     |    | 205326       | "             | "             | "              | "            | -----    | "        | "           | "           | "            | "            | "            | "      | "                 |        |
|              | 6     |    | 205327       | "             | "             | "              | "            | -----    | "        | "           | "           | "            | "            | "            | "      | "                 |        |
|              |       |    |              |               |               |                |              |          |          |             |             |              |              |              |        |                   |        |
|              |       |    |              |               |               |                |              |          |          |             |             |              |              |              |        |                   |        |

# GAUGE PARTS LIST

| MACHINE TYPE | GAUGE |    | NEEDLE PLATE | MAIN FEED DOG | AUX. FEED DOG | DIFF. FEED DOG | BODY    | PRESSER FOOT |          |          | UPPER KNIFE | LOWER KNIFE | UPPER LOOPER | LOWER LOOPER | NEEDLE GUARD |        | NEEDLE BAR. COMP. | NEEDLE |
|--------------|-------|----|--------------|---------------|---------------|----------------|---------|--------------|----------|----------|-------------|-------------|--------------|--------------|--------------|--------|-------------------|--------|
|              | NC    | SW |              |               |               |                |         | FINGER       | FAB. GRD | UNCURLER |             |             |              |              | FRONT        | REAR   |                   |        |
| 504-4/66     | 3     |    | 202542E      | 208080        | 204674        | 204691         | 201230C | 201224B      | 201265B  | 204668   | 201121A     | 204702 #4   | 204072       | 204634       | 204635       | 204623 | DCX27#14          |        |
|              | 4     |    | 202546E      | "             | "             | "              | "       | "            | "        | "        | "           | "           | "            | "            | "            | "      | "                 |        |
|              | 5     |    | 202596E      | "             | "             | "              | "       | "            | "        | "        | "           | "           | "            | "            | "            | "      | "                 |        |
|              | 6     |    | 202597E      | "             | "             | "              | "       | "            | "        | "        | "           | "           | "            | "            | "            | "      | "                 |        |
| 504-4/65     | 3     |    | 202542E      | 208080        | 204674        | 204679         | 201230C | 201224B      | 201265B  | 204668   | 201121A     | 204703 #6   | 204072       | 204634       | 204635       | 204623 | DCX27#18          |        |
|              | 4     |    | 202546E      | "             | "             | "              | "       | "            | "        | "        | "           | "           | "            | "            | "            | "      | "                 |        |
|              | 5     |    | 202596E      | "             | "             | "              | "       | "            | "        | "        | "           | "           | "            | "            | "            | "      | "                 |        |
|              | 6     |    | 202597E      | "             | "             | "              | "       | "            | "        | "        | "           | "           | "            | "            | "            | "      | "                 |        |
| 504-4/69     | 3     |    | 202542E      | 208078        | 204674        | 204690         | 201230C | 201224B      | 201265B  | 204668   | 201121A     | 204062 #2   | 204072       | 204634       | 204635       | 204623 | DCX27#11          |        |
|              | 4     |    | 202546E      | "             | "             | "              | "       | "            | "        | "        | "           | "           | "            | "            | "            | "      | "                 |        |
|              | 5     |    | 202596E      | "             | "             | "              | "       | "            | "        | "        | "           | "           | "            | "            | "            | "      | "                 |        |
|              | 6     |    | 202597E      | "             | "             | "              | "       | "            | "        | "        | "           | "           | "            | "            | "            | "      | "                 |        |
| 504-4/21     | 3     |    | 202542E      | 208086        | 204674        | 204724         | 205135  | -----        | -----    | 210584   | 201121A     | 204062 #2   | 204072       | 204634       | 204635       | 204623 | DCX27#11          |        |
|              | 4     |    | 202546E      | "             | "             | "              | 205136  | -----        | -----    | "        | "           | "           | "            | "            | "            | "      | "                 |        |
|              | 5     |    | 202596E      | "             | "             | "              | "       | -----        | -----    | "        | "           | "           | "            | "            | "            | "      | "                 |        |
|              | 6     |    | 202597E      | "             | "             | "              | "       | -----        | -----    | "        | "           | "           | "            | "            | "            | "      | "                 |        |
| 504-4/43     | 3     |    | 205235       | 208085        | 204677        | 204722         | 205252  | 201224B      | 201265B  | 210584   | 201121A     | 204702 #4   | 204072       | 204634       | 204635       | 204623 | DCX27#14          |        |
|              | 4     |    | 205236       | "             | "             | "              | "       | "            | "        | "        | "           | "           | "            | "            | "            | "      | "                 |        |
|              | 5     |    | 205237       | "             | "             | "              | "       | "            | "        | "        | "           | "           | "            | "            | "            | "      | "                 |        |
|              | 6     |    | 205238       | "             | "             | "              | "       | "            | "        | "        | "           | "           | "            | "            | "            | "      | "                 |        |
| 504-4/45     | 3     |    | 205320       | 208083        | 204677        | 204693         | 202799  | 201224B      | 201265B  | 210584   | 201121A     | 204702 #4   | 204072       | 204634       | 204635       | 204623 | DCX27#14          |        |
|              | 4     |    | 205321       | "             | "             | "              | "       | "            | "        | "        | "           | "           | "            | "            | "            | "      | "                 |        |
|              | 5     |    | 205322       | "             | "             | "              | "       | "            | "        | "        | "           | "           | "            | "            | "            | "      | "                 |        |
|              | 6     |    | 205323       | "             | "             | "              | "       | "            | "        | "        | "           | "           | "            | "            | "            | "      | "                 |        |
| 504-4/47     | 3     |    | 205324       | 208079        | 204677        | 204676         | 205253  | 201224B      | 201265B  | 210584   | 201121A     | 204702 #4   | 204072       | 204634       | 204635       | 204623 | DCX27#16          |        |
|              | 4     |    | 205325       | "             | "             | "              | "       | "            | "        | "        | "           | "           | "            | "            | "            | "      | "                 |        |
|              | 5     |    | 205326       | "             | "             | "              | "       | "            | "        | "        | "           | "           | "            | "            | "            | "      | "                 |        |
|              | 6     |    | 205327       | "             | "             | "              | "       | "            | "        | "        | "           | "           | "            | "            | "            | "      | "                 |        |
| 504-4/260    | 5     |    | 209257       | 209293        | 204674        | -----          | 209226  | -----        | -----    | -----    | 201121A     | 204703 #6   | 204072       | 204634       | 204635       | 204623 | DCX27#18          |        |
|              | 6     |    | 209224       | "             | "             | -----          | "       | -----        | -----    | -----    | "           | "           | "            | "            | "            | "      | "                 |        |

# GAUGE PARTS LIST

| MACHINE TYPE | GAUGE NG SW | NEEDLE PLATE | MAIN FEED DOG | AUX. FEED DOG | DIFF. FEED DOG | PRESSER FOOT |         |          | UPPER KNIFE | LOWER KNIFE | UPPER LOOPER | LOWER LOOPER | NEEDLE GUARD |        | NEEDLE HOLDER | NEEDLE |
|--------------|-------------|--------------|---------------|---------------|----------------|--------------|---------|----------|-------------|-------------|--------------|--------------|--------------|--------|---------------|--------|
|              |             |              |               |               |                | BODY         | FINGER  | FAB. GRD |             |             |              |              | UNCURLER     | FRONT  |               |        |
| 514-4/68     | 2           | 208753       | 208078        | 204674        | 204690         | 208731       | 208735  | 204668   | 201121A     | 201127      | 204963 # 8   | 204072       | 209009       | 208905 | DCX27#11      |        |
|              | 2           | 205255       | "             | "             | "              | 208732       | "       | "        | "           | 202295      | "            | "            | "            | "      | "             |        |
|              | 2           | 202554E      | "             | "             | "              | "            | "       | "        | "           | "           | "            | "            | "            | "      | "             | "      |
|              | 2           | 208753       | 208078        | 204674        | 204676         | 208731       | 208735  | 204668   | 201121A     | 201127      | 204949 #11   | 204072       | 209009       | 208905 | DCX27# 9      |        |
| 514-4/61     | 2           | 208753       | 208078        | 204674        | 204690         | 208731       | 208735  | 204668   | 201121A     | 201127      | 204949 #11   | 204072       | 209009       | 208905 | DCX27#11      |        |
|              | 2           | 205255       | "             | "             | "              | 208732       | "       | "        | "           | 202295      | "            | "            | "            | "      | "             |        |
|              | 2           | 202554E      | "             | "             | "              | "            | "       | "        | "           | "           | "            | "            | "            | "      | "             |        |
|              | 2           | 208753       | 208078        | 204674        | 204690         | 208731       | 208735  | 204668   | 201121A     | 201127      | 204663 # 7   | 204072       | 209009       | 208905 | DCX27#11      |        |
| 514-4/182    | 2           | 208753       | 208078        | 204674        | 204690         | 208731       | 208735  | 204668   | 201121A     | 201127      | 204990 #12   | 204991       | 209009       | 208905 | DCX27#14      |        |
|              | 2           | 205255       | "             | "             | "              | 208651       | "       | "        | "           | 202295      | "            | "            | "            | "      | "             |        |
|              | 2           | 202554E      | "             | "             | "              | "            | "       | "        | "           | "           | "            | "            | "            | "      | "             |        |
|              | 2           | 208753       | 208078        | 204674        | 204690         | 208731       | 208735  | 204668   | 201121A     | 201127      | 204990 #12   | 204991       | 209009       | 208905 | DCX27#14      |        |
| 514-4/67     | 2           | 208753       | 208080        | 204674        | 204691         | 208731       | 208735  | 204668   | 201121A     | 201127      | 204964 # 9   | 204072       | 209009       | 208905 | DCX27#14      |        |
|              | 2           | 205255       | "             | "             | "              | 208732       | "       | "        | "           | 202295      | "            | "            | "            | "      | "             |        |
|              | 2           | 202554E      | "             | "             | "              | "            | "       | "        | "           | "           | "            | "            | "            | "      | "             |        |
|              | 2           | 208753       | 208093        | 204674        | 208044         | 208733       | 208735  | 204668   | 201121A     | 201127      | 204964 # 9   | 204072       | 209009       | 208906 | DCX27#14      |        |
| 514-4/73     | 2.5         | 208030       | 208093        | 204674        | 208044         | 208734       | 208735  | 204668   | 201121A     | 201127      | 204964 # 9   | 204072       | 209009       | 208906 | DCX27#14      |        |
|              | 2           | 208031       | "             | "             | "              | "            | "       | "        | "           | 202295      | "            | "            | "            | "      | "             |        |
|              | 2           | 204910       | 208090        | 204674        | 204730         | 201396B      | 201265B | 204668   | 201121A     | 202295      | 204949 #11   | 204072       | 209009       | 208904 | DCX3 # 9      |        |
|              | 2           | 205256       | "             | "             | "              | "            | "       | "        | "           | "           | "            | "            | "            | 208905 | DCX27# 9      |        |
| 514-4/62     | 2           | 208753       | 208086        | 204674        | 204724         | 205136       | 205136  | 210584   | 201121A     | 201127      | 204964 # 9   | 204072       | 209009       | 208905 | DCX27#14      |        |
|              | 2           | 205255       | "             | "             | "              | 208732       | 208735  | 204668   | "           | 202295      | "            | "            | "            | "      | "             |        |
|              | 2           | 202554E      | "             | "             | "              | 208734       | 208735  | 204668   | "           | "           | "            | "            | "            | "      | "             |        |
|              | 2           | 208753       | 208086        | 204674        | 204724         | 205136       | 205136  | 210584   | 201121A     | 201127      | 204964 # 9   | 204072       | 209009       | 208905 | DCX27#14      |        |
| 514-4/64     | 2           | 205243       | 204679        | 204677        | 204676         | 201310A      | 201265B | 210584   | 201121A     | 202295      | 204964 # 9   | 204072       | 209009       | 208905 | DCX27#14      |        |
|              | 2           | 205243       | 204679        | 204677        | 204676         | 201310A      | 201265B | 210584   | 201121A     | 202295      | 204964 # 9   | 204072       | 209009       | 208905 | DCX27#14      |        |
| 514-4/63     | 2           | 205243       | 208087        | 204677        | 204724         | 205136       | 205136  | 210584   | 201121A     | 202295      | 204964 # 9   | 204072       | 209009       | 208905 | DCX27#14      |        |
|              | 2           | 205244       | "             | "             | "              | 205136       | 205136  | 210584   | 201121A     | 202295      | 204964 # 9   | 204072       | 209009       | 208905 | DCX27#14      |        |

# GAUGE PARTS LIST

| MACHINE TYPE | GAUGE |    | NEEDLE PLATE | MAIN FEED DOG | AUX. FEED DOG | DIFF. FEED DOG | BODY    | PRESSER FOOT |          |          | UPPER KNIFE | LOWER KNIFE | UPPER LOOPER | LOWER LOOPER | NEEDLE GUARD |        | NEEDLE HOLDER | NEEDLE |
|--------------|-------|----|--------------|---------------|---------------|----------------|---------|--------------|----------|----------|-------------|-------------|--------------|--------------|--------------|--------|---------------|--------|
|              | NG    | SW |              |               |               |                |         | FINGER       | FAB. GRD | UNCURLER |             |             |              |              | FRONT        | REAR   |               |        |
| 512-4/53     | 2     | 3  | 208322       | 208091        | 204674        | 208041         | 201230C | 2013968      | 201265B  | 204668   | 201121A     | 201127      | 204072       | 204659       | 209009       | 208905 | DCX27#11      |        |
|              | 2     | 4  | 208323       | "             | "             | "              | 201310A | "            | "        | "        | "           | 202295      | "            | "            | "            | "      | "             |        |
|              | 2     | 5  | 208324       | "             | "             | "              | 208049  | "            | "        | "        | "           | 201127      | "            | 208053       | "            | 208907 | "             |        |
|              | 3     | 3  | 208033       | "             | "             | "              | 208050  | "            | "        | "        | "           | 202295      | "            | "            | "            | "      | "             |        |
|              | 3     | 5  | 208035       | "             | "             | "              | "       | "            | "        | "        | "           | "           | "            | "            | "            | "      | "             |        |
| 512-4/61     | 2     | 2  | 208753       | 208078        | 204674        | 204676         | 201230C | 2013968      | 201265B  | 204668   | 201121A     | 201127      | 204072       | 204659       | 209009       | 208905 | DCX27#14      |        |
|              | 2     | 3  | 205255       | "             | "             | "              | "       | 201310A      | "        | "        | "           | 202295      | "            | "            | "            | "      | "             |        |
|              | 2     | 4  | 202554E      | "             | "             | "              | "       | "            | "        | "        | "           | "           | "            | "            | "            | "      | "             |        |
|              | 2     | 5  | 202499E      | "             | "             | "              | "       | "            | "        | "        | "           | "           | "            | "            | "            | "      | "             |        |
|              | 2     | 5  | 208030       | 208093        | 204674        | 208044         | 201230C | 208049       | 201265B  | 204668   | 201121A     | 201127      | 204072       | 208051       | 209009       | 208906 | DCX27#14      |        |
| 512-4/73     | 2     | 5  | 208031       | "             | "             | "              | "       | 208050       | "        | "        | "           | 202295      | "            | "            | "            | "      | "             |        |
|              | 2     | 5  | 208032       | "             | "             | "              | "       | 208049       | "        | "        | "           | 201127      | "            | 208053       | "            | 208907 | "             |        |
|              | 3     | 3  | 208033       | "             | "             | "              | 208050  | "            | "        | "        | "           | 202295      | "            | "            | "            | "      | "             |        |
|              | 3     | 4  | 208034       | "             | "             | "              | "       | "            | "        | "        | "           | "           | "            | "            | "            | "      | "             |        |
|              | 3     | 5  | 208035       | "             | "             | "              | "       | "            | "        | "        | "           | "           | "            | "            | "            | "      | "             |        |
| 512-4/62     | 2     | 2  | 208753       | 208086        | 204674        | 204724         | 205136  | -----        | -----    | 210584   | 201121A     | 201127      | 204072       | 204659       | 209009       | 208905 | DCX27#14      |        |
|              | 2     | 3  | 205255       | "             | "             | "              | "       | -----        | -----    | "        | "           | 202295      | "            | "            | "            | "      | "             |        |
|              | 2     | 4  | 202554E      | "             | "             | "              | "       | -----        | -----    | "        | "           | "           | "            | "            | "            | "      | "             |        |
|              | 2     | 5  | 202499E      | "             | "             | "              | "       | -----        | -----    | "        | "           | "           | "            | "            | "            | "      | "             |        |
|              | 2     | 5  | 205243       | 208079        | 204677        | 204676         | 205253  | 201310A      | 201265B  | 210584   | 201121A     | 202295      | 204072       | 204659       | 209009       | 208905 | DCX27#14      |        |
| 512-4/64     | 2     | 4  | 205243       | 208079        | 204677        | 204676         | 205253  | 201310A      | 201265B  | 210584   | 201121A     | 202295      | 204072       | 204659       | 209009       | 208905 | DCX27#14      |        |
|              | 2     | 5  | 205244       | "             | "             | "              | "       | "            | "        | "        | "           | "           | "            | "            | "            | "      | "             |        |
|              | 2     | 3  | 208325       | 208092        | 208095        | 208041         | 202799  | 2013968      | 201265B  | 210584   | 201121A     | 201127      | 204072       | 204659       | 209009       | 208905 | DCX27#14      |        |
|              | 2     | 4  | 208326       | "             | "             | "              | "       | 201310A      | "        | "        | "           | 202295      | "            | "            | "            | "      | "             |        |
|              | 2     | 5  | 208327       | "             | "             | "              | "       | "            | "        | "        | "           | 201127      | "            | 208053       | "            | 208907 | "             |        |
| 514-4/1854   | 3     | 3  | 208036       | "             | "             | "              | 205253  | 208049       | "        | "        | "           | 202295      | "            | "            | "            | "      | "             |        |
|              | 3     | 3  | 208037       | "             | "             | "              | "       | 208050       | "        | "        | "           | 201127      | "            | "            | "            | "      | "             |        |
|              | 3     | 5  | 208038       | "             | "             | "              | "       | "            | "        | "        | "           | 202295      | "            | "            | "            | "      | "             |        |
|              | 2     | 3  | 209387-30    | 209415-16     | 208095        | 209417-16      | 209386  | 2013968      | 208735   | 211600   | 211771      | 202295      | 204991       | 204659       | 209009       | 208905 | DCX27#14      |        |
|              | 2     | 4  | 209388-40    | "             | "             | "              | "       | 201310A      | "        | "        | "           | "           | "            | 208051       | "            | 208906 | "             |        |
| 514-4/1855   | 2     | 5  | 209388-25    | "             | "             | "              | "       | 208049       | "        | "        | "           | 204990      | "            | "            | "            | "      | "             |        |
|              | 2     | 5  | 209388-35    | "             | "             | "              | "       | 208050       | "        | "        | "           | "           | "            | "            | "            | "      | "             |        |
|              | 2     | 5  | 209388-45    | "             | "             | "              | "       | "            | "        | "        | "           | "           | "            | "            | "            | "      | "             |        |
|              | 2     | 3  | 209387-30    | 209415-16     | 208095        | 209417-16      | 209386  | 2013968      | 208735   | 211600   | 201121A     | 202295      | 204991       | 204659       | 209009       | 208905 | DCX27#14      |        |
|              | 2     | 4  | 209388-25    | "             | "             | "              | "       | 201310A      | "        | "        | "           | "           | "            | 208051       | "            | 208906 | "             |        |
| 512-4/63     | 2     | 4  | 205243       | 208087        | 204677        | 204724         | 205136  | -----        | -----    | 210584   | 201121A     | 202295      | 204072       | 204659       | 209009       | 208905 | DCX27#14      |        |
|              | 2     | 5  | 205244       | "             | "             | "              | "       | -----        | -----    | "        | "           | "           | "            | "            | "            | "      | "             |        |
|              | 2     | 3  | 202982       | 208083        | 204677        | 204693         | 202799  | 2013968      | 201265B  | 210584   | 201121A     | 202295      | 204072       | 204659       | 209009       | 208905 | DCX27#14      |        |
|              | 2     | 4  | 202983       | "             | "             | "              | "       | 201310A      | "        | "        | "           | "           | "            | "            | "            | "      | "             |        |
|              | 2     | 4  | 202983       | "             | "             | "              | "       | "            | "        | "        | "           | "           | "            | "            | "            | "      | "             |        |

# GAUGE PARTS LIST

| MACHINE TYPE               | GAUGE       |        | NEEDLE PLATE               | MAIN FEED DOC    | AUX. FEED DOC    | DIFF. FEED DOC   | PRESSER FOOT |                     |             | UPPER KNIFE  | LOWER KNIFE       | UPPER LOOPER     | LOWER LOOPER     | NEEDLE GUARD     |                  | NEEDLE HOLDER | NEEDLE |
|----------------------------|-------------|--------|----------------------------|------------------|------------------|------------------|--------------|---------------------|-------------|--------------|-------------------|------------------|------------------|------------------|------------------|---------------|--------|
|                            | NC          | SW     |                            |                  |                  |                  | BODY         | FINGER              | FAB. GRD    |              |                   |                  |                  | UNCURLER         | FRONT            |               |        |
| 504-4/21P1<br>504-4/21P2   | 5           |        | 205326                     | 208087           | 204677           | 204724           |              |                     |             | 210584       | 201121A           | 204072           | 204634           | 204635           | 204623           | DCX27#11      |        |
| 514-4/62P1<br>514-4/62P2   | 2<br>2      | 3<br>4 | 209355<br>205243           | 208087<br>"      | 204677<br>"      | 204724<br>"      |              |                     | 210584<br>" | 201121A<br>" | 204072<br>"       | 204659<br>"      | 204659<br>"      | 209009<br>"      | 208905<br>"      | DCX27#14      |        |
| 514-4/64P1<br>514-4/64P2   | 2<br>2      | 4<br>4 | 205243                     | 208079           | 204677           | 204676           |              | 211873-TA           |             |              | 201121A           | 204072           | 204659           | 209009           | 208905           | DCX27#14      |        |
| 504-4/47P1<br>504-4/47P2   | 3<br>4<br>5 |        | 205324<br>205325<br>205326 | 208079<br>"<br>" | 204677<br>"<br>" | 204676<br>"<br>" |              | 211873-TA<br>"<br>" |             |              | 201121A<br>"<br>" | 204072<br>"<br>" | 204634<br>"<br>" | 204635<br>"<br>" | 204623<br>"<br>" | DCX27#16      |        |
| 504-4/350P1<br>504-4/350P2 | 5           |        | 205326                     | 209325-BF        | 209327-BF        | 209328-BF        |              | 209333-TA           |             |              | 201121A           | 204072           | 204634           | 204635           | 204623           | DCX27#11      |        |
| 514-4/351P1<br>514-4/351P2 | 2<br>4      |        | 205243                     | 209325-BF        | 209327-BF        | 209328-BF        |              | 209333-TA           |             |              | 201121A           | 204072           | 204659           | 209009           | 208905           | DCX27#11      |        |

**NEEDLE SIZE AND  
UPPER LOOPER/SPREADER**

Use Upper Looper/Spreader according to  
the needle size and stitch type as shown.

| STITCH TYPE       | NEEDLE SIZE | PART NO.     | USED FOR                                |
|-------------------|-------------|--------------|---|
| 503<br>515        | 9-12        | 204278 (#1)  | 2-thread L52.                           |
|                   | 13-16       | 204704 (#3)  |   |
|                   | 17-21       | 204705 (#5)  | 4-thread L32.                           |
| 504<br>505<br>516 | 9-12        | 204062 (#2)  | 3-thread L52.                           |
|                   | 13-16       | 204702 (#4)  |   |
|                   | 17-21       | 204703 (#6)  | 5-thread L32.                           |
| 514               | 9-12        | 204963 (#8)  | 2-needle L52.                           |
|                   | 13-16       | 204964 (#9)  |   |
|                   | 17-21       | 204965 (#10) |   |
| 512               | 9-12        | 204702 (#4)  | 2-needle L52<br>(mock-safety<br>stitch) |
|                   | 13-16       | 204663 (#7)  |   |
|                   | 17-21       | 204949 (#11) |   |

**LIST OF THE COMPONENT PARTS  
FOR MAIN FEED DOG COMPLETE**

**503-4. 504-4. 505-4.  
512-4. 514-4.**

**515-4. 516-4.**

| Main feed dog complete | Component parts |               |       |
|------------------------|-----------------|---------------|-------|
|                        | Main feed dog   | Aux. feed dog | Screw |
| 208078                 | 204675A         | 204674        | 2922  |
| 208078-BF              | 204675A-BF      | 204674        | "     |
| 208079                 | 204675A         | 204677        | "     |
| 208079-BF              | 204675A-BF      | 204677        | "     |
| 208080                 | 204678A         | 204674        | "     |
| 208080-BF              | 204678A-BF      | 204674        | "     |
| 208082-BF              | 204692A-BF      | 204674        | "     |
| 208083                 | 204692A         | 204677        | "     |
| 208083-BF              | 204692A-BF      | 204677        | "     |
| 208084                 | 204694A         | 204677        | "     |
| 208085-BF              | 204721A-BF      | 204677        | "     |
| 208086                 | 204723A         | 204674        | "     |
| 208087                 | 204723A         | 204677        | "     |
| 208088                 | 204725A         | 204677        | "     |
| 208089                 | 204727A         | 204677        | "     |
| 208090-BF              | 204729A-BF      | 204674        | "     |
| 208091                 | 208039          | 204674        | "     |
| 208092                 | 208039          | 208095        | "     |
| 208092-BF              | 208039A-BF      | 208095        | "     |
| 208093-BF              | 208040-BF       | 204674        | "     |
| 208167                 | 208040          | 208095        | "     |
| 208334                 | 208336          | 208338        | "     |
| 208335                 | 208337          | 208338        | "     |
| 208911                 | 204729A         | 208912        | "     |
| 209293                 | 209225          | 204674        | "     |
| 209325-BF              | 209326-BF       | 209327-BF     | "     |
| 209329-BF              | 209330-BF       | 209327-BF     | "     |
| 209383-BF              | 209384-BF       | 208095        | "     |
| 210415-16              | 209416-16       | 208095        | "     |

| Main feed dog complete | Component parts |               |       |
|------------------------|-----------------|---------------|-------|
|                        | Main feed dog   | Aux. feed dog | Screw |
| 208062                 | 204125B         | 204424        | 2922  |
| 208063                 | 204248B         | 208059        | "     |
| 208064                 | 204394          | 208059        | "     |
| 208065                 | 204395          | 204425        | "     |
| 208066                 | 204396          | 208060        | "     |
| 208067                 | 204397          | 208060        | "     |
| 208068                 | 204398          | 204427        | "     |
| 208069                 | 204399          | 208061        | "     |
| 208070                 | 204400          | 208061        | "     |
| 208071                 | 204401          | 204424        | "     |
| 208072                 | 204402          | 208059        | "     |
| 208073                 | 204403          | 208059        | "     |
| 208074                 | 204931          | 208061        | "     |
| 208075                 | 204932          | 208061        | "     |
| 208076                 | 204933          | 208059        | "     |
| 208077                 | 204934          | 208059        | "     |











# INDEX

| PART NO.  | PAGE | NO.<br>REF. | PART NO. | PAGE | NO.<br>REF. | PART NO. | PAGE | NO.<br>REF. | PART NO. | PAGE | NO.<br>REF. |
|-----------|------|-------------|----------|------|-------------|----------|------|-------------|----------|------|-------------|
| 211915    | 45   | 26          |          |      |             |          |      |             |          |      |             |
| 211916    | 45   | 27          |          |      |             |          |      |             |          |      |             |
| 211917    | 45   | 28          |          |      |             |          |      |             |          |      |             |
| 211918    | 45   | 23          |          |      |             |          |      |             |          |      |             |
| 211919    | 45   | 22          |          |      |             |          |      |             |          |      |             |
| 211920    | 45   | 25          |          |      |             |          |      |             |          |      |             |
| 211944    | 43   | 22          |          |      |             |          |      |             |          |      |             |
| 211946    | 53   | 2           |          |      |             |          |      |             |          |      |             |
| 211946    | 55   | 2           |          |      |             |          |      |             |          |      |             |
| 211949    | 55   | 29          |          |      |             |          |      |             |          |      |             |
| 212186    | 17   | 23          |          |      |             |          |      |             |          |      |             |
| 212271-TA | 132  |             |          |      |             |          |      |             |          |      |             |
| 212280A   | 3    | 17          |          |      |             |          |      |             |          |      |             |
| 212978-91 | 47   | 12          |          |      |             |          |      |             |          |      |             |
| 212981    | 47   | 13          |          |      |             |          |      |             |          |      |             |
| 212982A   | 47   | 14          |          |      |             |          |      |             |          |      |             |
| 230047A   | 3    | 26          |          |      |             |          |      |             |          |      |             |
| 240102    | 11   | 27          |          |      |             |          |      |             |          |      |             |
| 240102    | 23   | 22          |          |      |             |          |      |             |          |      |             |
| 240102    | 27   | 19          |          |      |             |          |      |             |          |      |             |
| 240162    | 3    | 22          |          |      |             |          |      |             |          |      |             |
| 240178    | 49   | 19          |          |      |             |          |      |             |          |      |             |
| 300248    | 45   | 30          |          |      |             |          |      |             |          |      |             |
| 303067    | 57   | 13          |          |      |             |          |      |             |          |      |             |
| 303312A   | 61   | 26          |          |      |             |          |      |             |          |      |             |
| 303313    | 61   | 27          |          |      |             |          |      |             |          |      |             |
| 303688    | 61   | 40          |          |      |             |          |      |             |          |      |             |

■ PEGASUS  
SEWING MACHINE MFG.  
CO., LTD.®

